



Mounting Form Table

H400
63 A up to 125 A

Section

Front Mounting Switches	A
Base Mounting Switches	B
Enclosed Switches	C
Accessories	D

Sälzer Electric GmbH
Matthiasstraße 16
57482 Wenden (Germany)
www.saelzer.com

Headquarters:
Tel. +49 (0) 27 62 / 6 14-110
Fax +49 (0) 27 62 / 6 14-100
sales@salzer.de

Originator: Sälzer Electric GmbH · Product Data Management (PDM) · 09306 Rochlitz (Germany)
Copyright reserved by Sälzer Electric GmbH. This document replaces all previous issues.
Valid until a new version is published. Changes and revisions reserved.

Mounting Form Table



Mtg. form	Page	Mtg. form	Page	Mtg. form	Page	Mtg. form	Page
003M1	A1-1 (5)	234M4	B3-3 (33)	319N4	B6-16 (66)	489M4	B9-5 (95)
003V1	A1-2 (6)	234N1	B3-4 (34)	320M1	B6-17 (67)	489N1	B9-6 (96)
004V1	A1-2 (6)	234N4	B3-4 (34)	320M4	B6-17 (67)	489N4	B9-6 (96)
013M1	A1-3 (7)	234V1	B3-5 (35)	320N1	B6-18 (68)	490M1	B9-7 (97)
026M1	B1-1 (18)	234V4	B3-5 (35)	320N4	B6-18 (68)	490M4	B9-7 (97)
026V1	B1-2 (19)	235M1	B3-6 (36)	321M1	B6-19 (69)	490N1	B9-8 (98)
026V4	B1-2 (19)	235M4	B3-6 (36)	321M4	B6-19 (69)	490N4	B9-8 (98)
033M1	A1-4 (8)	235N1	B3-7 (37)	321N1	B6-20 (70)	491M1	B9-9 (99)
033M4	A1-4 (8)	235N4	B3-7 (37)	321N4	B6-20 (70)	491M4	B9-9 (99)
033N1	A1-5 (9)	240V1	B2-2 (24)	322M1	B6-21 (71)	491N1	B9-10 (100)
033N4	A1-5 (9)	241M1	B2-1 (23)	322M4	B6-21 (71)	491N4	B9-10 (100)
033V1	A1-6 (10)	241V1	B2-2 (24)	322N1	B6-22 (72)	492M1	B9-11 (101)
033V4	A1-6 (10)	242M1	B3-1 (31)	322N4	B6-22 (72)	492M4	B9-11 (101)
035M1	A1-7 (11)	242V1	B3-2 (32)	323M1	B6-23 (73)	492N1	B9-12 (102)
035M4	A1-7 (11)	243V1	B3-2 (32)	323M4	B6-23 (73)	492N4	B9-12 (102)
035N1	A1-8 (12)	280M1	B4-3 (41)	323N1	B6-24 (74)	493M1	B9-13 (103)
035N4	A1-8 (12)	280M4	B4-3 (41)	323N4	B6-24 (74)	493M4	B9-13 (103)
036M1	A1-9 (13)	280N1	B4-4 (42)	380D1	B10-1 (113)	493N1	B9-14 (104)
036M4	A1-9 (13)	280N4	B4-4 (42)	380D4	B10-1 (113)	493N4	B9-14 (104)
036N1	A1-10 (14)	280V1	B4-5 (43)	385D1	B10-2 (114)	494M1	B9-15 (105)
036N4	A1-10 (14)	280V4	B4-5 (43)	385D4	B10-2 (114)	494M4	B9-15 (105)
103M1	A1-11 (15)	281M1	B5-3 (47)	431M1	B7-6 (80)	494N1	B9-16 (106)
113M1	A1-12 (16)	281M4	B5-3 (47)	431M4	B7-6 (80)	494N4	B9-16 (106)
126M1	B1-3 (20)	281N1	B5-4 (48)	431N1	B7-7 (81)	495M1	B9-17 (107)
126V1	B1-4 (21)	281N4	B5-4 (48)	431N4	B7-7 (81)	495M4	B9-17 (107)
126V4	B1-4 (21)	281V1	B5-5 (49)	432M1	B7-3 (77)	495N1	B9-18 (108)
127V1	B1-5 (22)	281V4	B5-5 (49)	432M4	B7-3 (77)	495N4	B9-18 (108)
128V1	B1-5 (22)	282M1	B4-1 (39)	432N1	B7-4 (78)	496M1	B9-19 (109)
176M1	C1-1 (118)	282V1	B4-2 (40)	432N4	B7-4 (78)	496M4	B9-19 (109)
177M1	C1-2 (119)	283M1	B5-1 (45)	432V1	B7-5 (79)	496N1	B9-20 (110)
177M4	C1-2 (119)	283V1	B5-2 (46)	432V4	B7-5 (79)	496N4	B9-20 (110)
177N1	C1-3 (120)	292V1	B4-2 (40)	435M1	B8-6 (88)	497M1	B9-21 (111)
177N4	C1-3 (120)	293V1	B5-2 (46)	435M4	B8-6 (88)	497M4	B9-21 (111)
181M1	C2-12 (165)	312M1	B6-1 (51)	435N1	B8-7 (89)	497N1	B9-22 (112)
182M1	C2-13 (166)	312M4	B6-1 (51)	435N4	B8-7 (89)	497N4	B9-22 (112)
182M4	C2-13 (166)	312N1	B6-2 (52)	441M1	B7-1 (75)	566H1	C1-32 (149)
182N1	C2-14 (167)	312N4	B6-2 (52)	441V1	B7-2 (76)	566M1	C1-29 (146)
182N4	C2-14 (167)	313M1	B6-3 (53)	442V1	B7-2 (76)	567M1	C1-30 (147)
183H1	C2-15 (168)	313M4	B6-3 (53)	461M1	C1-21 (138)	567M4	C1-30 (147)
186H1	C2-7 (160)	313N1	B6-4 (54)	461M4	C1-21 (138)	567N1	C1-31 (148)
186M1	C2-4 (157)	313N4	B6-4 (54)	461N1	C1-22 (139)	567N4	C1-31 (148)
187M1	C2-5 (158)	314M1	B6-5 (55)	461N4	C1-22 (139)	568M1	C1-29 (146)
187M4	C2-5 (158)	314M4	B6-5 (55)	471M1	C1-23 (140)	569H1	C1-32 (149)
187N1	C2-6 (159)	314N1	B6-6 (56)	471M4	C1-23 (140)	576H1	C1-36 (153)
187N4	C2-6 (159)	314N4	B6-6 (56)	471N1	C1-24 (141)	576M1	C1-33 (150)
189H1	C2-7 (160)	315M1	B6-7 (57)	471N4	C1-24 (141)	577M1	C1-34 (151)
196H1	C3-7 (175)	315M4	B6-7 (57)	481M1	B8-1 (83)	577M4	C1-34 (151)
196M1	C3-4 (172)	315N1	B6-8 (58)	481V1	B8-2 (84)	577N1	C1-35 (152)
197M1	C3-5 (173)	315N4	B6-8 (58)	483M1	B8-3 (85)	577N4	C1-35 (152)
197M4	C3-5 (173)	316M1	B6-9 (59)	483M4	B8-3 (85)	578M1	C1-33 (150)
197N1	C3-6 (174)	316M4	B6-9 (59)	483N1	B8-4 (86)	579H1	C1-36 (153)
197N4	C3-6 (174)	316N1	B6-10 (60)	483N4	B8-4 (86)	686H1	C2-11 (164)
199H1	C3-7 (175)	316N4	B6-10 (60)	483V1	B8-5 (87)	686M1	C2-8 (161)
231M1	B2-6 (28)	317M1	B6-11 (61)	483V4	B8-5 (87)	687M1	C2-9 (162)
231M4	B2-6 (28)	317M4	B6-11 (61)	485V1	B8-2 (84)	687M4	C2-9 (162)
231N1	B2-7 (29)	317N1	B6-12 (62)	487M1	B9-1 (91)	687N1	C2-10 (163)
231N4	B2-7 (29)	317N4	B6-12 (62)	487M4	B9-1 (91)	687N4	C2-10 (163)
232M1	B2-3 (25)	318M1	B6-13 (63)	487N1	B9-2 (92)	689H1	C2-11 (164)
232M4	B2-3 (25)	318M4	B6-13 (63)	487N4	B9-2 (92)	696H1	C3-11 (179)
232N1	B2-4 (26)	318N1	B6-14 (64)	488M1	B9-3 (93)	696M1	C3-8 (176)
232N4	B2-4 (26)	318N4	B6-14 (64)	488M4	B9-3 (93)	697M1	C3-9 (177)
232V1	B2-5 (27)	319M1	B6-15 (65)	488N1	B9-4 (94)	697M4	C3-9 (177)
232V4	B2-5 (27)	319M4	B6-15 (65)	488N4	B9-4 (94)	697N1	C3-10 (178)
234M1	B3-3 (33)	319N1	B6-16 (66)	489M1	B9-5 (95)	697N4	C3-10 (178)

The red coloured mounting forms were added to the manual H400 Release 2.4.

Mounting Form Table



Mtg. form	Page	Mtg. form	Page	Mtg. form	Page	Mtg. form	Page
699H1	C3-11 (179)	780N1	C1-15 (132)	987M4	C2-2 (155)	SAX1	D5-1 (195)
730M1	C1-4 (121)	780N4	C1-15 (132)	987N1	C2-3 (156)	SBX1	D5-2 (196)
730M4	C1-4 (121)	780V1	C1-16 (133)	987N4	C2-3 (156)	TCA4	D2-1 (190)
730N1	C1-5 (122)	780V4	C1-16 (133)	996M1	C3-1 (169)	TCB4	D2-1 (190)
730N4	C1-5 (122)	781M1	C1-17 (134)	997M1	C3-2 (170)	218098	D4-1 (194)
731M1	C1-6 (123)	785H1	C1-19 (136)	997M4	C3-2 (170)	404111	D2-2 (191)
735M1	C1-7 (124)	785M1	C1-18 (135)	997N1	C3-3 (171)		
735M4	C1-7 (124)	785V1	C1-20 (137)	997N4	C3-3 (171)		
735N1	C1-8 (125)	786H1	C1-19 (136)	AVA8 -...	D1-3 (186)		
735N4	C1-8 (125)	786V1	C1-20 (137)	AVB8 -...	D1-4 (187)		
736M1	C1-9 (126)	976H1	C1-28 (145)	AVC4 -.	D1-2 (185)		
770M1	C1-10 (127)	976M1	C1-25 (142)	AVD4	D1-1 (184)		
770M4	C1-10 (127)	977M1	C1-26 (143)	AVE5-...	D1-5 (188)		
770N1	C1-11 (128)	977M4	C1-26 (143)	AVF5-...	D1-6 (189)		
770N4	C1-11 (128)	977N1	C1-27 (144)	EA	C4-1 (180)		
770V1	C1-12 (129)	977N4	C1-27 (144)	ED	C4-2 (181)		
770V4	C1-12 (129)	978M1	C1-31 (135)	E8	C4-3 (182)		
771M1	C1-13 (130)	979H1	C1-28 (145)	FAS2 -...	D3-2 (193)		
780M1	C1-14 (131)	986M1	C2-1 (154)	FBS2 -...	D3-2 (193)		
780M4	C1-14 (131)	987M1	C2-2 (155)	FAZ2 -...	D3-1 (192)		

The red coloured mounting forms were added to the manual H400 Release 2.4.



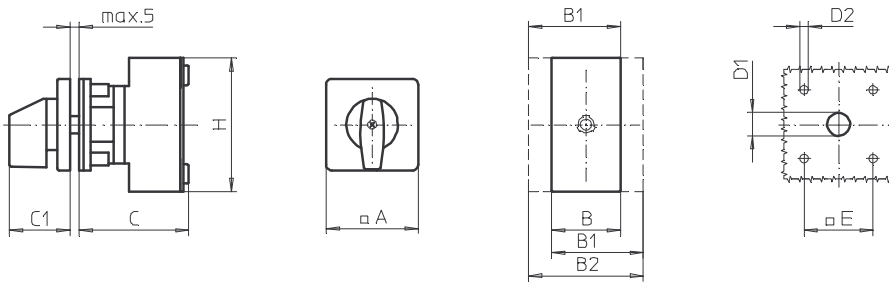
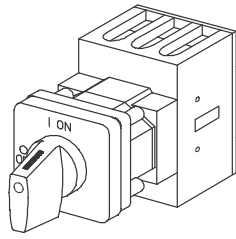
Section A

	Page	
	from	to
Four hole mounting	A1-1	A1-12

Originator: Sälzer Electric GmbH · Product Data Management (PDM) · 09306 Rochlitz (Germany)
Copyright reserved by Sälzer Electric GmbH. This document replaces all previous issues.
Valid until a new version is published. Changes and revisions reserved.

Front Mounting Switches

sälzer



**Product lines
H400-A/ -D/ -E**

Front mounting switch

**Four hole mounting
48 x 48 mm**

003M1 (IP66)

Complete switch	Poles	Product line	Rated data (IEC 60947)			Order code number
			Operational current I _e	Operational power at 380–440 V		
			AC-21A A	AC-23A kW	AC-3 kW	
ON-OFF Switches Switching angle 90°	3 ... 8	H400-A/ -D	63	22	18,5	H406 - 41 ... - 003M1
			80	30	22	H408 - 41 ... - 003M1
			100	37	30	H410 - 41 ... - 003M1
			125	45	37	H412 - 41 ... - 003M1
Changeover with OFF Switching angle 90°	3 ... 4	H400-E	63	22	18,5	H406 - 71 ... - 003M1
			80	30	22	H408 - 71 ... - 003M1
			100	37	30	H410 - 71 ... - 003M1
			125	45	37	H412 - 71 ... - 003M1

SMD modules for basic switch A01

Mounting form module for 003M1

H400-A/ -D/ -E

BFA4 - 003

M-operator module 64 x 64 mm, mounting form 003M1

4AM1

Escutcheon black, handle black

Legend plate silver, operator module 003M1

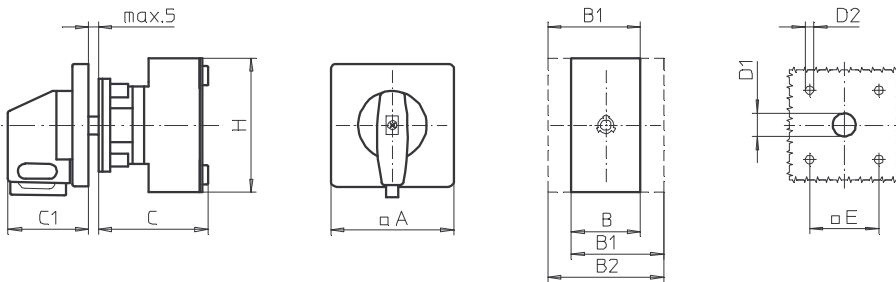
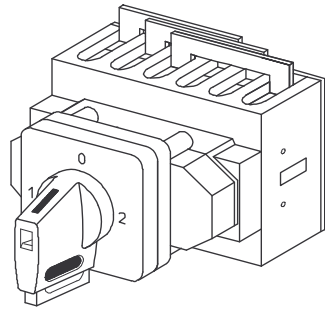
FAS4 - 9... (FA number)

Dimensions (mm)

Product lines	A	B	B1	B2	C	C1	D1	D2	E	H
H400-A	64	70	89	108	73	39	15	5	48	80
H400-D/ -E	64	140	159	178	86	39	15	5	48	80

Front Mounting Switches

sälzer



**Product line
H400-E**

Front mounting switch

**Four hole mounting
48 x 48 mm**

**003V1 (IP66)
004V1 (IP66)**

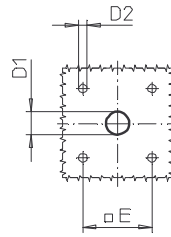
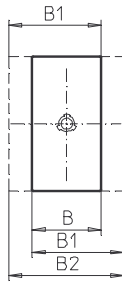
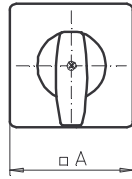
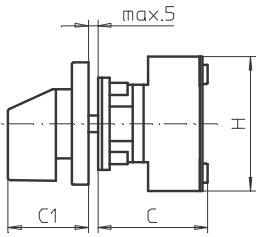
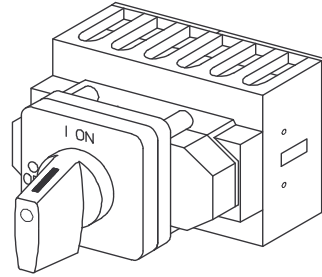
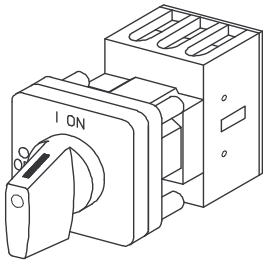
Complete switch	Poles	Product line	Rated data (IEC 60947)			Order code number
			Operational current I _e	Operational power at 380–440 V		
			AC-21A A	AC-23A kW	AC-3 kW	
Changeover with OFF Switching angle 90° OFF position padlockable 12h	3 ... 4	H400-E	63	22	18,5	H406 - 71 ... - 003V1
			80	30	22	H408 - 71 ... - 003V1
			100	37	30	H410 - 71 ... - 003V1
			125	45	37	H412 - 71 ... - 003V1
Changeover with OFF Switching angle 90° 3 positions padlockable (09h/12h/03h)	3 ... 4	H400-E	63	22	18,5	H406 - 71 ... - 004V1
			80	30	22	H408 - 71 ... - 004V1
			100	37	30	H410 - 71 ... - 004V1
			125	45	37	H412 - 71 ... - 004V1

SMD modules for basic switch A01		
Mounting form module for 003V1/ 004V1	H400-E	BFA4 - 003
V-operator module 64 x 64 mm, mounting form 003V1 Escutcheon black, handle black		4AV1 - 12
V-operator module 64 x 64 mm, mounting form 004V1 Escutcheon black, handle black		4AV1 - 99
Legend plate silver, operator modules 003V1/ 004V1		FAS4 - 9... (FA number)

Dimensions (mm)										
Product line	A	B	B1	B2	C	C1	D1	D2	E	H
H400-E	64	140	159	178	86	39	15	5	48	80

Front Mounting Switches

sälzer



**Product lines
H400-A/ -D/ -E**

Front mounting switch
Operator module of next size

Four hole mounting
68 x 68 mm

013M1 (IP66)

Complete switch	Poles	Product line	Rated data (IEC 60947)			Order code number
			Operational current I _e	Operational power at 380–440 V		
			AC-21A A	AC-23A kW	AC-3 kW	
ON-OFF Switches Switching angle 90°	3 ... 8	H400-A/ -D	63	22	18,5	H406 - 41 ... - 013M1
			80	30	22	H408 - 41 ... - 013M1
			100	37	30	H410 - 41 ... - 013M1
			125	45	37	H412 - 41 ... - 013M1
Changeover with OFF Switching angle 90°	3 ... 4	H400-E	63	22	18,5	H406 - 71 ... - 013M1
			80	30	22	H408 - 71 ... - 013M1
			100	37	30	H410 - 71 ... - 013M1
			125	45	37	H412 - 71 ... - 013M1

SMD modules for basic switch A01

Mounting form module for 013M1

H400-A/ -D/ -E

BFA4 - 013

M-operator module 88 x 88 mm, mounting form 013M1

6FM1

Escutcheon black, handle black

Legend plate silver, operator module 013M1

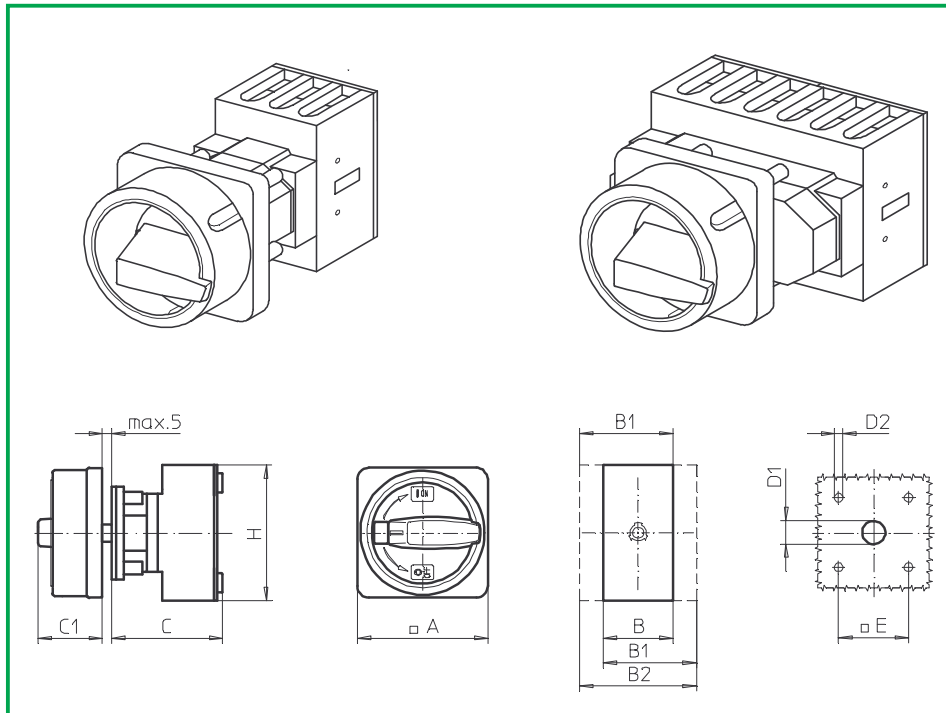
FAS6 - 9... (FA number)

Dimensions (mm)

Product lines	A	B	B1	B2	C	C1	D1	D2	E	H
H400-A	88	70	89	108	73	52	15	5,5	68	80
H400-D/ -E	88	140	159	178	86	52	15	5,5	68	80

Front Mounting Switches

sälzer



**Product lines
H400-A/ -D**

Front mounting switch

**Four hole mounting
48 x 48 mm**

**033M1 (IP66)
033M4 (IP66)**

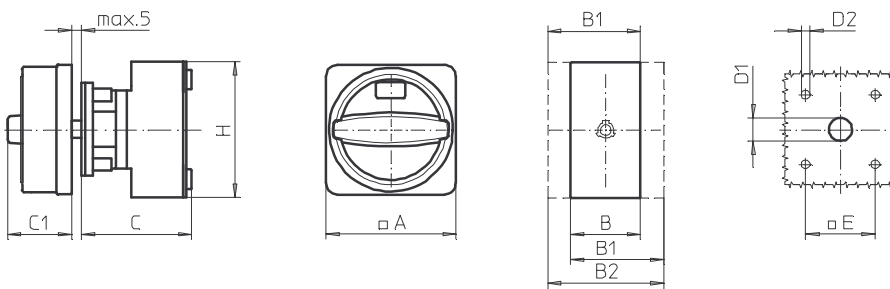
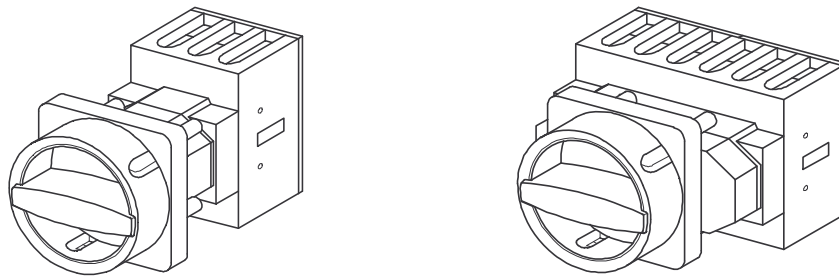
Complete switch	Poles	Product line	Rated data (IEC 60947)			Order code number
			Operational current I _e	Operational power at 380–440 V		
			AC-21A A	AC-23A kW	AC-3 kW	
Main Switches OFF position padlockable 09h	3 ... 8	H400-A/ -D	63	22	18,5	H406 - - 033M1
			80	30	22	H408 - - 033M1
			100	37	30	H410 - - 033M1
			125	45	37	H412 - - 033M1
Main/Emergency-OFF Switches OFF position padlockable 09h	3 ... 8	H400-A/ -D	63	22	18,5	H406 - - 033M4
			80	30	22	H408 - - 033M4
			100	37	30	H410 - - 033M4
			125	45	37	H412 - - 033M4

SMD modules for basic switch A01			
Mounting form module for 033M.		H400-A/ -D	BFA4 - 033
M-padlock device 88 x 88 mm, mounting form 033M1 Escutcheon black, padlockable handle black			4CM1
M-padlock device 88 x 88 mm, mounting form 033M4 Escutcheon yellow, padlockable handle red			4CM4
Terminal cover, 3 pole (H400-A 1x / -D 2x)			TCA4
Terminal cover, each additional single pole			TCB4

Dimensions (mm)										
Product lines	A	B	B1	B2	C	C1	D1	D2	E	H
H400-A	88	70	89	108	73	50	15	5	48	80
H400-D	88	140	159	178	86	50	15	5	48	80

Front Mounting Switches

sälzer



**Product lines
H400-A/ -D**

Front mounting switch

**Four hole mounting
48 x 48 mm**

**033N1 (IP66)
033N4 (IP66)**

Complete switch	Poles	Product line	Rated data (IEC 60947)			Order code number
			Operational current I _e	Operational power at 380–440 V		
			AC-21A A	AC-23A kW	AC-3 kW	
Main Switches OFF position padlockable 09h	3 ... 8	H400-A/ -D	63	22	18,5	H406 - - 033N1
			80	30	22	H408 - - 033N1
			100	37	30	H410 - - 033N1
			125	45	37	H412 - - 033N1
Main/Emergency-OFF Switches OFF position padlockable 09h	3 ... 8	H400-A/ -D	63	22	18,5	H406 - - 033N4
			80	30	22	H408 - - 033N4
			100	37	30	H410 - - 033N4
			125	45	37	H412 - - 033N4

SMD modules for basic switch A01

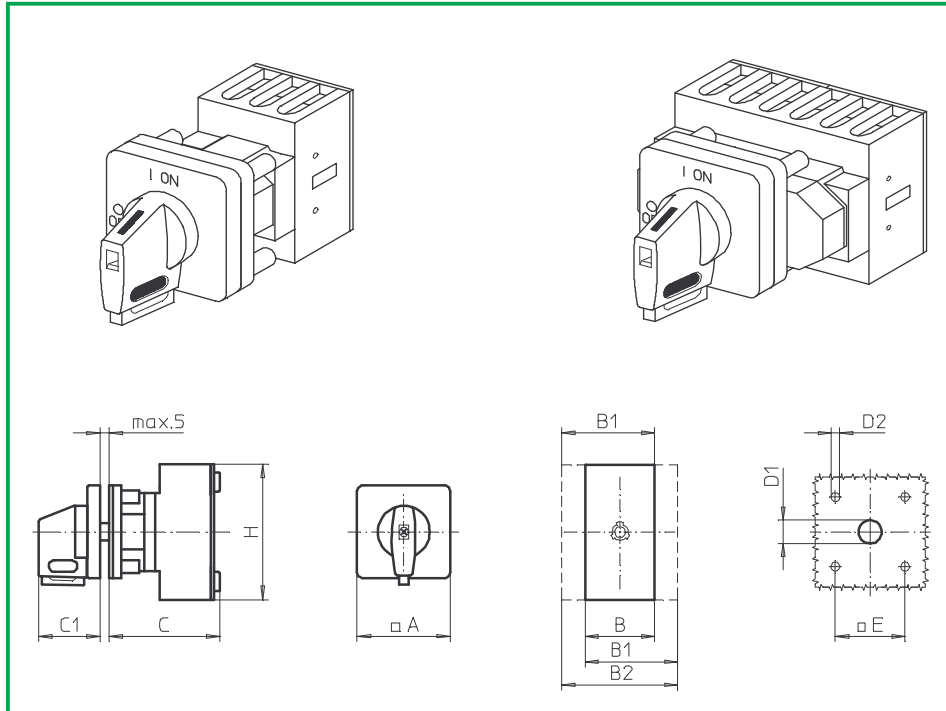
Mounting form module for 033N.	H400-A/ -D	BFA4 - 033
N-padlock device 88 x 88 mm, mounting form 033N1 Escutcheon black, padlockable handle black		4CN1
N-padlock device 88 x 88 mm, mounting form 033N4 Escutcheon yellow, padlockable handle red		4CN4
Terminal cover, 3 pole	H400-A 1x / -D 2x	TCA4
Terminal cover, each additional single pole	H400-A/ -D	TCB4

Dimensions (mm)

Product lines	A	B	B1	B2	C	C1	D1	D2	E	H
H400-A	88	70	89	108	73	45	15	5	48	80
H400-D	88	140	159	178	86	45	15	5	48	80

Front Mounting Switches

sälzer



**Product lines
H400-A/ -D**

Front mounting switch

**Four hole mounting
48 x 48 mm**

**033V1 (IP66)
033V4 (IP66)**

Complete switch	Poles	Product line	Rated data (IEC 60947)			Order code number
			Operational current I _e	Operational power at 380–440 V		
			AC-21A A	AC-23A kW	AC-3 kW	
Main Switches OFF position padlockable 09h	3 ... 8	H400-A/ -D	63	22	18,5	H406 - - 033V1
			80	30	22	H408 - - 033V1
			100	37	30	H410 - - 033V1
			125	45	37	H412 - - 033V1
Main/Emergency-OFF Switches OFF position padlockable 09h	3 ... 8	H400-A/ -D	63	22	18,5	H406 - - 033V4
			80	30	22	H408 - - 033V4
			100	37	30	H410 - - 033V4
			125	45	37	H412 - - 033V4

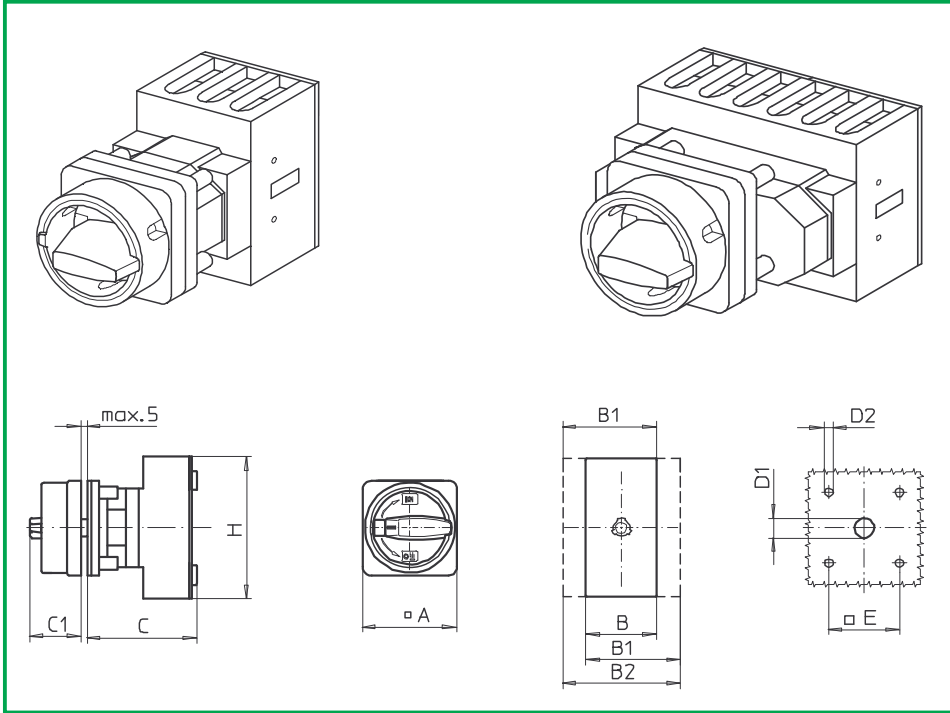
SMD modules for basic switch A01

Mounting form module for 033V.	H400-A/ -D	BFA4 - 003 4AV1 - 09
V-operator module 64 x 64 mm, mounting form 033V1 Escutcheon black, handle black		FAS4 - 9078 4AV4 - 09
Legend plate silver, operator module 033V1		FBS4 - 9078
V-operator module 64 x 64 mm, mounting form 033V4 Escutcheon black, handle red		TCA4
Legend plate yellow, operator module 033V4		TCB4
Terminal cover, 3 pole	H400-A 1x / -D 2x	
Terminal cover, each additional single pole	H400-A/ -D	

Dimensions (mm)

Product lines	A	B	B1	B2	C	C1	D1	D2	E	H
H400-A	64	70	89	108	73	39	15	5	48	80
H400-D	64	140	159	178	86	39	15	5	48	80

Front Mounting Switches



Product lines
H400-A/ -D

Front mounting switch

Four hole mounting
 48 x 48 mm

035M1 (IP66)
035M4 (IP66)

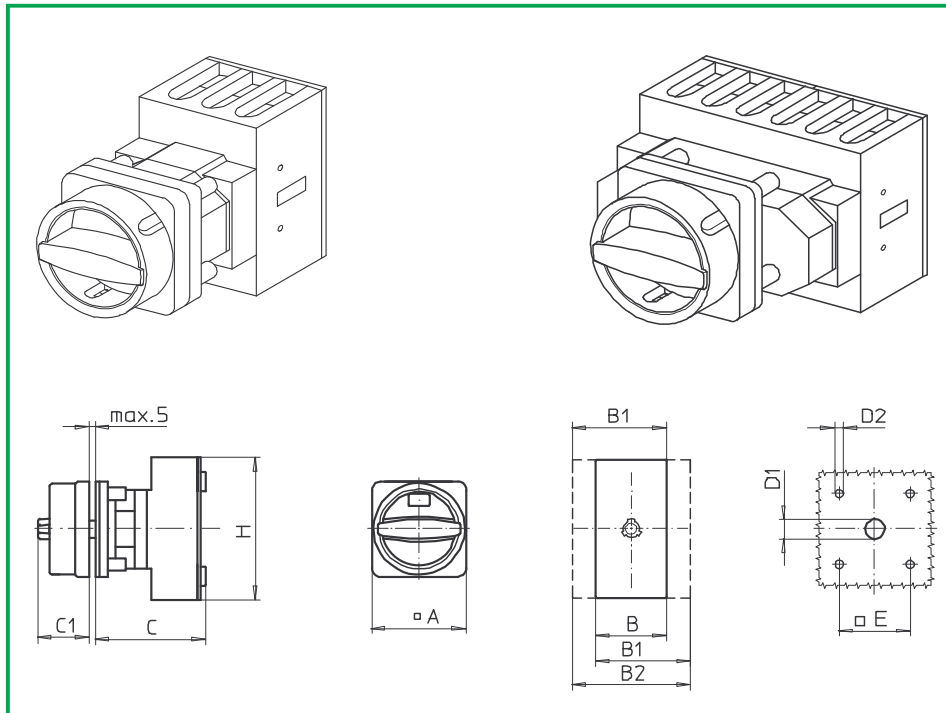
Complete switch	Poles	Product line	Rated data (IEC 60947)			Order code number
			Operational current I _e	Operational power at 380–440 V		
			AC-21A A	AC-23A kW	AC-3 kW	
Main Switches OFF position padlockable 09h	3 ... 8	H400-A/ -D	63	22	18,5	H406 - - 035M1
			80	30	22	H408 - - 035M1
			100	37	30	H410 - - 035M1
			125	45	37	H412 - - 035M1
Main/Emergency-OFF Switches OFF position padlockable 09h	3 ... 8	H400-A/ -D	63	22	18,5	H406 - - 035M4
			80	30	22	H408 - - 035M4
			100	37	30	H410 - - 035M4
			125	45	37	H412 - - 035M4

SMD modules for basic switch A01		
Mounting form module for 035M.	H400-A/ -D	BFA4 - 035
M-padlock device 67 x 67 mm, mounting form 035M1 Escutcheon black, padlockable handle black		4BM1
M-padlock device 67 x 67 mm, mounting form 035M4 Escutcheon yellow, padlockable handle red		4BM4
Terminal cover, 3 pole	H400-A 1x / -D 2x	TCA4
Terminal cover, each additional single pole	H400-A/ -D	TCB4

Dimensions (mm)										
Product lines	A	B	B1	B2	C	C1	D1	D2	E	H
H400-A	67	70	89	108	73	38	15	5	48	80
H400-D	67	140	159	178	86	38	15	5	48	80

Front Mounting Switches

sälzer



**Product lines
H400-A/ -D**

Front mounting switch

**Four hole mounting
48 x 48 mm**

**035N1 (IP66)
035N4 (IP66)**

Complete switch	Poles	Product line	Rated data (IEC 60947)			Order code number
			Operational current I _e	Operational power at 380–440 V		
			AC-21A A	AC-23A kW	AC-3 kW	
Main Switches OFF position padlockable 09h	3 ... 8	H400-A/ -D	63	22	18,5	H406 - - 035N1
			80	30	22	H408 - - 035N1
			100	37	30	H410 - - 035N1
			125	45	37	H412 - - 035N1
Main/Emergency-OFF Switches OFF position padlockable 09h	3 ... 8	H400-A/ -D	63	22	18,5	H406 - - 035N4
			80	30	22	H408 - - 035N4
			100	37	30	H410 - - 035N4
			125	45	37	H412 - - 035N4

SMD modules for basic switch A01

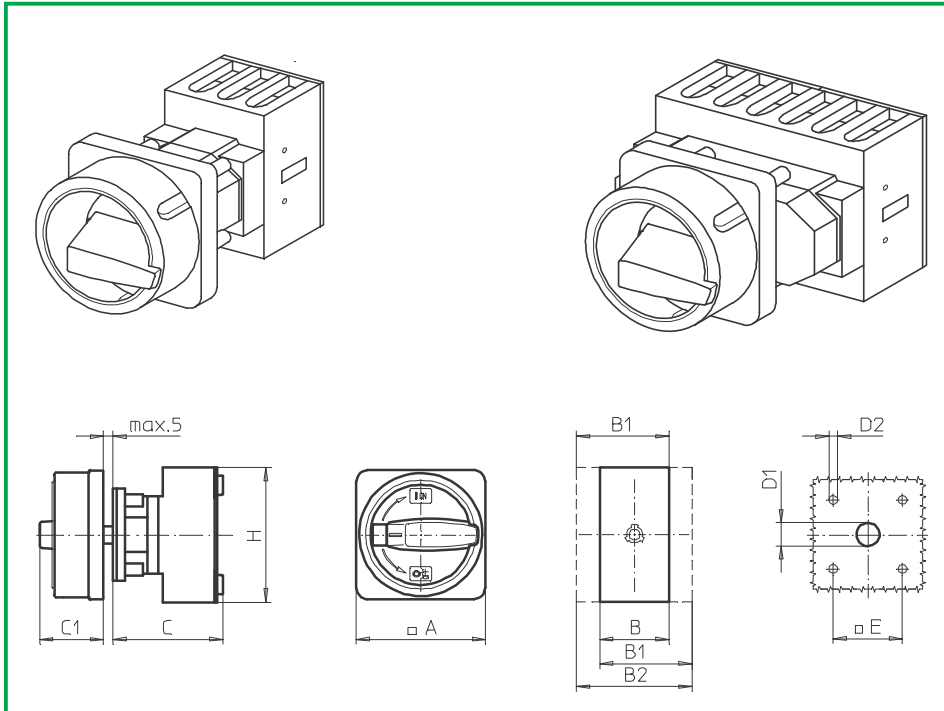
Mounting form module for 035N.	H400-A/ -D	BFA4 - 035 4BN1
N-padlock device 67 x 67 mm, mounting form 035N1 Escutcheon black, padlockable handle black		4BN4
N-padlock device 67 x 67 mm, mounting form 035N4 Escutcheon yellow, padlockable handle red		4BN4
Terminal cover, 3 pole	H400-A 1x / -D 2x	TCA4
Terminal cover, each additional single pole	H400-A/ -D	TCB4

Dimensions (mm)

Product lines	A	B	B1	B2	C	C1	D1	D2	E	H
H400-A	67	70	89	108	73	33	15	5	48	80
H400-D	67	140	159	178	86	33	15	5	48	80

Front Mounting Switches

sälzer



**Product lines
H400-A/ -D**

Front mounting switch
Operator module of next size

Four hole mounting
68 x 68 mm

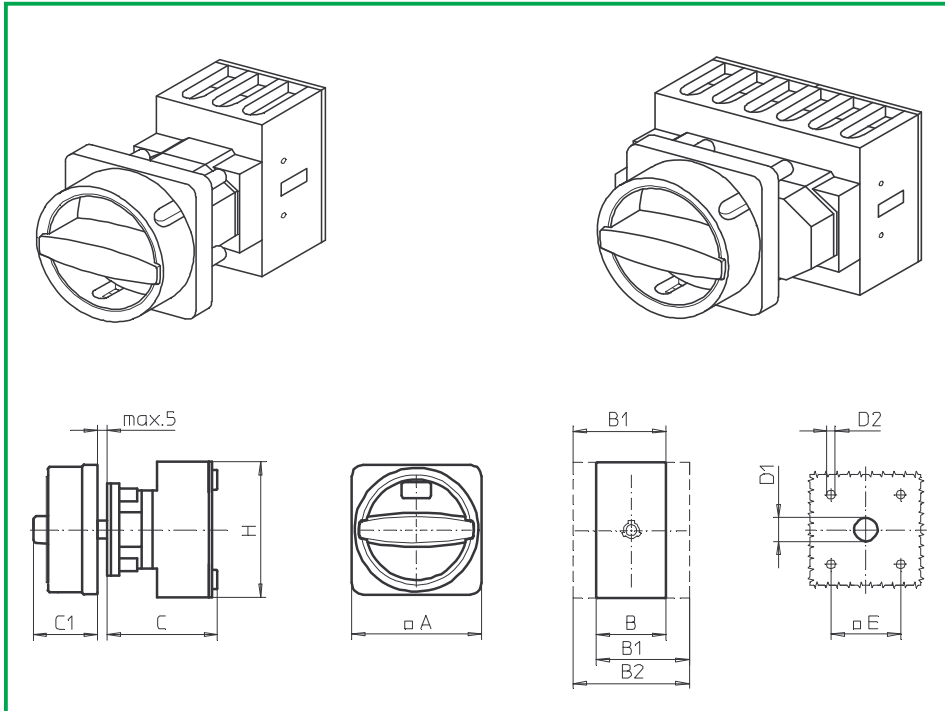
036M1 (IP66)
036M4 (IP66)

Complete switch	Poles	Product line	Rated data (IEC 60947)			Order code number
			Operational current I _e	Operational power at 380–440 V		
			AC-21A A	AC-23A kW	AC-3 kW	
Main Switches OFF position padlockable 09h	3 ... 8	H400-A/ -D	63	22	18,5	H406 - - 036M1
			80	30	22	H408 - - 036M1
			100	37	30	H410 - - 036M1
			125	45	37	H412 - - 036M1
Main/Emergency-OFF Switches OFF position padlockable 09h	3 ... 8	H400-A/ -D	63	22	18,5	H406 - - 036M4
			80	30	22	H408 - - 036M4
			100	37	30	H410 - - 036M4
			125	45	37	H412 - - 036M4

SMD modules for basic switch A01			
Mounting form module for 036M.		H400-A/ -D	BFA4 - 013
M-padlock device 88 x 88 mm, mounting form 036M1 Escutcheon black, padlockable handle black			6HM1
M-padlock device 88 x 88 mm, mounting form 036M4 Escutcheon yellow, padlockable handle red			6HM4
Terminal cover, 3 pole		H400-A 1x / -D 2x	TCA4
Terminal cover, each additional single pole		H400-A/ -D	TCB4

Dimensions (mm)										
Product lines	A	B	B1	B2	C	C1	D1	D2	E	H
H400-A	88	70	89	108	73	50	15	5,5	68	80
H400-D	88	140	159	178	86	50	15	5,5	68	80

Front Mounting Switches



Product lines
H400-A/ -D

Front mounting switch
Operator module of next size

Four hole mounting
68 x 68 mm

036N1 (IP66)
036N4 (IP66)

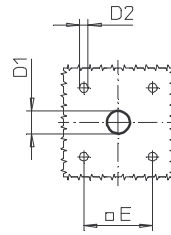
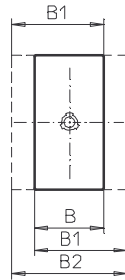
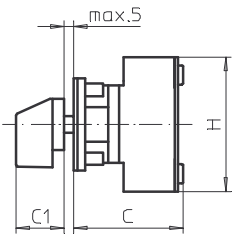
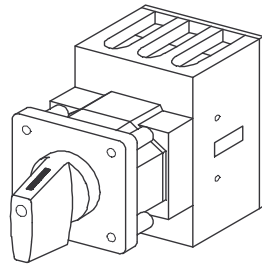
Complete switch	Poles	Product line	Rated data (IEC 60947)			Order code number
			Operational current I _e	Operational power at 380–440 V		
			AC-21A A	AC-23A kW	AC-3 kW	
Main Switches OFF position padlockable 09h	3 ... 8	H400-A/ -D	63	22	18,5	H406 - - 036N1
			80	30	22	H408 - - 036N1
			100	37	30	H410 - - 036N1
			125	45	37	H412 - - 036N1
Main/Emergency-OFF Switches OFF position padlockable 09h	3 ... 8	H400-A/ -D	63	22	18,5	H406 - - 036N4
			80	30	22	H408 - - 036N4
			100	37	30	H410 - - 036N4
			125	45	37	H412 - - 036N4

SMD modules for basic switch A01		
Mounting form module for 036N.	H400-A/ -D	BFA4 - 013
M-padlock device 88 x 88 mm, mounting form 036N1 Escutcheon black, padlockable handle black		6HN1
M-padlock device 88 x 88 mm, mounting form 036N4 Escutcheon yellow, padlockable handle red		6HN4
Terminal cover, 3 pole	H400-A 1x / -D 2x	TCA4
Terminal cover, each additional single pole	H400-A/ -D	TCB4

Dimensions (mm)										
Product lines	A	B	B1	B2	C	C1	D1	D2	E	H
H400-A	88	70	89	108	73	45	15	5,5	68	80
H400-D	88	140	159	178	86	45	15	5,5	68	80

Front Mounting Switches

sälzer



**Product lines
H400-A/ -D/ -E**

**Front mounting switch
without escutcheon**

**Four hole mounting
48 x 48 mm**

103M1 (IP66)

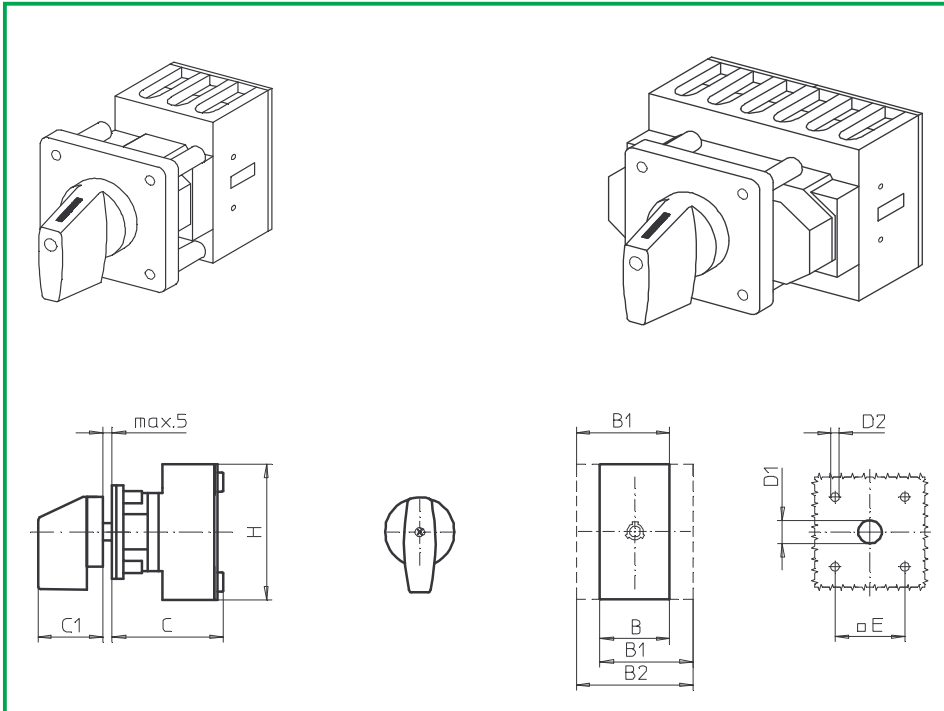
Complete switch	Poles	Product line	Rated data (IEC 60947)			Order code number
			Operational current I _e	Operational power at 380–440 V		
			AC-21A A	AC-23A kW	AC-3 kW	
ON-OFF Switches Switching angle 90°	3 ... 8	H400-A/ -D	63	22	18,5	H406 - 41 ... - 103M1
			80	30	22	H408 - 41 ... - 103M1
			100	37	30	H410 - 41 ... - 103M1
			125	45	37	H412 - 41 ... - 103M1
Changeover with OFF Switching angle 90°	3 ... 4	H400-E	63	22	18,5	H406 - 71 ... - 103M1
			80	30	22	H408 - 71 ... - 103M1
			100	37	30	H410 - 71 ... - 103M1
			125	45	37	H412 - 71 ... - 103M1

SMD modules for basic switch A01		
Mounting form module for 103M1 (Shaft shortened by 5 mm)	H400-A/ -D/ -E	BFA4 - 035
M-handle black, mounting form 103M1 (Mounting without escutcheon and legend plate)		4XM1

Dimensions (mm)									
Product lines	B	B1	B2	C	C1	D1	D2	E	H
H400-A	70	89	108	73	30	15	5	48	80
H400-D/ -E	140	159	178	86	30	15	5	48	80

Front Mounting Switches

sälzer



**Product lines
H400-A/ -D/ -E**

Front mounting switch
Operator module of next size
without escutcheon

Four hole mounting
68 x 68 mm

113M1 (IP66)

Complete switch	Poles	Product line	Rated data (IEC 60947)			Order code number
			Operational current I _e	Operational power at 380–440 V		
			AC-21A A	AC-23A kW	AC-3 kW	
ON-OFF Switches Switching angle 90°	3 ... 8	H400-A/-D	63	22	18,5	H406 - 41 ... - 113M1
			80	30	22	H408 - 41 ... - 113M1
			100	37	30	H410 - 41 ... - 113M1
			125	45	37	H412 - 41 ... - 113M1
Changeover with OFF Switching angle 90°	3 ... 4	H400-E	63	22	18,5	H406 - 71 ... - 113M1
			80	30	22	H408 - 71 ... - 113M1
			100	37	30	H410 - 71 ... - 113M1
			125	45	37	H412 - 71 ... - 113M1

SMD modules for basic switch A01

Mounting form module for 113M1
(Shaft shortened by 5 mm)

H400-A/ -D/ -E

BFA4 - 113

M-handle black, mounting form 113M1
(Mounting without escutcheon and legend plate)

6XM1

Dimensions (mm)

Product lines	B	B1	B2	C	C1	D1	D2	E	H
H400-A	70	89	108	73	42	15	5,5	68	80
H400-D/ -E	140	159	178	86	42	15	5,5	68	80

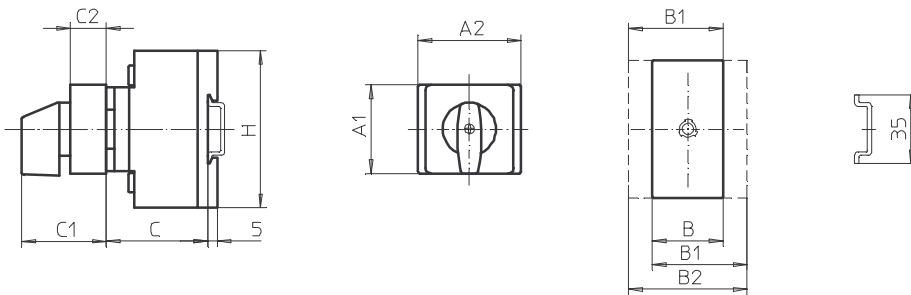
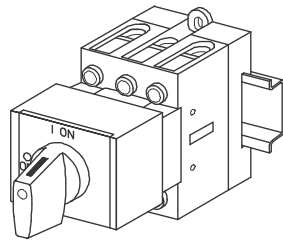


Section B

	Page	
	from	to
Base / front mounting	B1-1	B1-5
Door clutch with modular shaft extension Four hole front mounting	B2-1	B2-8
Door interlock with modular shaft extension Four hole front mounting	B3-1	B3-8
Door clutch with metal shaft extension Single hole \varnothing 22,5 mm front mounting	B4-1	B4-6
Door interlock with metal shaft extension Single hole \varnothing 22,5 mm front mounting	B5-1	B5-6
Door interlock with fixed metal shaft Single hole \varnothing 22,5 mm front mounting	B6-1	B6-24
Door clutch with metal shaft extension Four hole front mounting	B7-1	B7-8
Door interlock with metal shaft extension Four hole front mounting	B8-1	B8-8
Door interlock with fixed metal shaft Four hole front mounting	B9-1	B9-22
Defeatable door interlock with metal shaft extension Single hole \varnothing 22,5 mm front mounting	B10-1	B10-4

Originator: Sälzer Electric GmbH · Product Data Management (PDM) · 09306 Rochlitz (Germany)
 Copyright reserved by Sälzer Electric GmbH. This document replaces all previous issues.
 Valid until a new version is published. Changes and revisions reserved.

Base Mounting Switches



Product line
H400-A

Base mounting switch
Base/front mounting

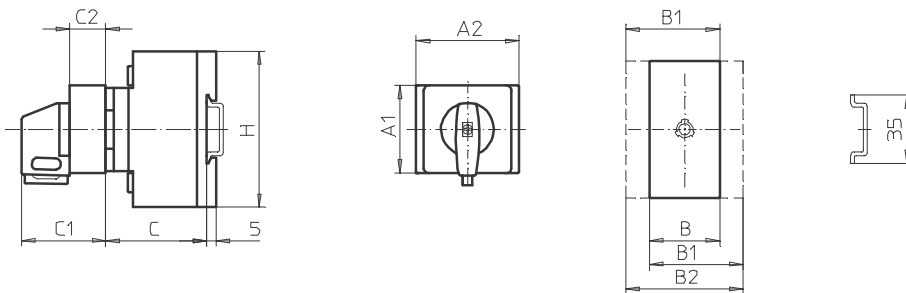
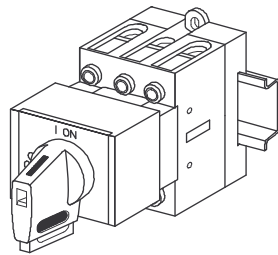
DIN rail
with cover plate
45 mm aperture

026M1

Complete switch	Poles	Product line	Rated data (IEC 60947)			Order code number			
			Operational current I _e	Operational power at 380–440 V					
			AC-21A A	AC-23A kW	AC-3 kW				
ON-OFF Switches Switching angle 90°	3 ... 4	H400-A	63	22	18,5	H406 - 41 ... - 026M1			
			80	30	22	H408 - 41 ... - 026M1			
			100	37	30	H410 - 41 ... - 026M1			
			125	45	37	H412 - 41 ... - 026M1			
SMD modules for basic switch A02									
Mounting form/operator module grey, M-handle black, mounting form 026M1			H400-A		BFA4 - 026M1				
Legend plate silver, mounting form/operator module 026M1					FAV2 - 9... (FA number)				
Dimensions (mm)									
Product line	A1	A2	B	B1	B2	C	C1	C2	H
H400-A	45	72	70	89	108	48	43	18,5	80

Base Mounting Switches

sälzer



**Product line
H400-A**

**Base mounting switch
Base/front mounting**

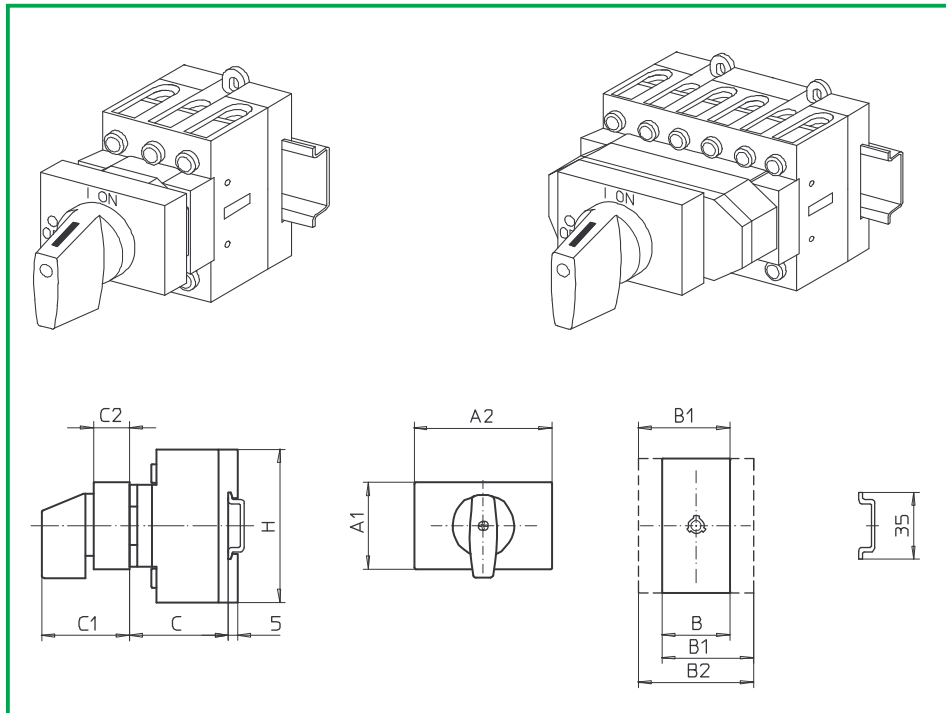
DIN rail
with cover plate
45 mm aperture

**026V1
026V4**

Complete switch	Poles	Product line	Rated data (IEC 60947)			Order code number			
			Operational current I _e	Operational power at 380–440 V					
			AC-21A A	AC-23A kW	AC-3 kW				
Main Switches OFF position padlockable 09h	3 ... 4	H400-A	63	22	18,5	H406 - 41 ... - 026V1			
			80	30	22	H408 - 41 ... - 026V1			
			100	37	30	H410 - 41 ... - 026V1			
			125	45	37	H412 - 41 ... - 026V1			
Main/Emergency-Off Switches OFF position padlockable 09h	3 ... 4	H400-A	63	22	18,5	H406 - 41 ... - 026V4			
			80	30	22	H408 - 41 ... - 026V4			
			100	37	30	H410 - 41 ... - 026V4			
			125	45	37	H412 - 41 ... - 026V4			
SMD modules for basic switch A02									
Mounting form/operator module grey, V-handle black, mounting form 026V1		H400-A				BFA4 - 026V1			
Legend plate silver, mounting form/operator module 026V1						FAV2 - 9... (FA number)			
Mounting form/operator module grey, V-handle red, mounting form 026V4						BFA4 - 026V4			
Legend plate yellow, mounting form/operator module 026V4						FBV2 - 9... (FA number)			
Terminal cover, 3 pole			H400-A 1x			TCA4			
Terminal cover, each additional single pole			H400-A			TCB4			
Dimensions (mm)									
Product line	A1	A2	B	B1	B2	C	C1	C2	H
H400-A	45	72	70	89	108	48	43	18,5	80

Base Mounting Switches

sälzer



Product line
H400-A/ -D/ -E

Base mounting switch
Base/front mounting

DIN rail
with cover plate
45 mm aperture

126M1

Complete switch	Poles	Product line	Rated data (IEC 60947)			Order code number
			Operational current I _e	Operational power at 380–440 V		
			AC-21A A	AC-23A kW	AC-3 kW	
ON-OFF Switches Switching angle 90°	3 ... 8	H400-A/ -D	63	22	18,5	H406 - 41 ... - 126M1
			80	30	22	H408 - 41 ... - 126M1
			100	37	30	H410 - 41 ... - 126M1
			125	45	37	H412 - 41 ... - 126M1
Changeover with OFF Switching angle 90°	3 ... 4	H400-E	63	22	18,5	H406 - 71 ... - 126M1
			80	30	22	H408 - 71 ... - 126M1
			100	37	30	H410 - 71 ... - 126M1
			125	45	37	H412 - 71 ... - 126M1

SMD modules for basic switch A02

Mounting form/operator module grey, M-handle black, mounting form 126M1

H400-A
H400-D



BFA4 - 126M1
BFA4 - 126M1

Mounting form/operator module grey, M-handle black, mounting form 126M1

H400-E



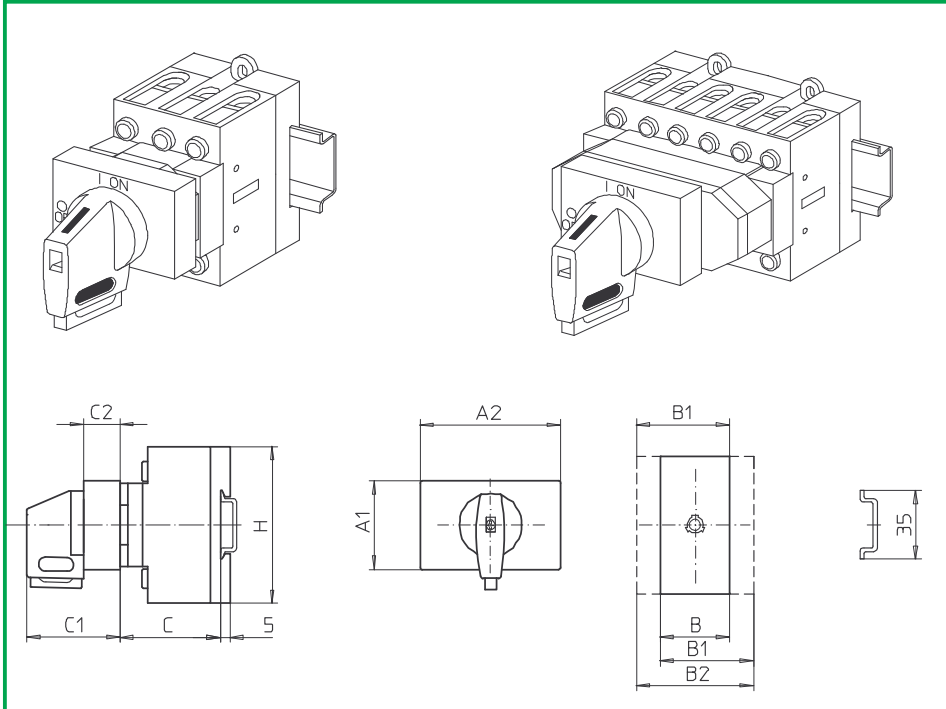
BFB4 - 126M1

Dimensions (mm)

Product lines	A1	A2	B	B1	B2	C	C1	C2	H
H400-A	45	72	70	89	108	55	48	16	80
H400-D/ -E	45	72	140	159	178	67	48	16	80

Base Mounting Switches

sälzer



Product line
H400-A/ -D

Base mounting switch
Base/front mounting

DIN rail
with cover plate
45 mm aperture

126V1
126V4

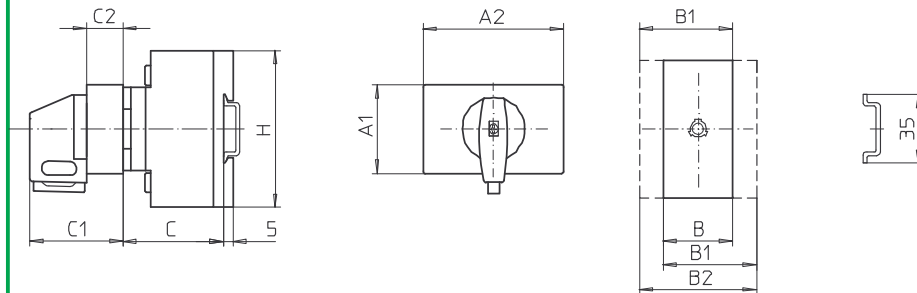
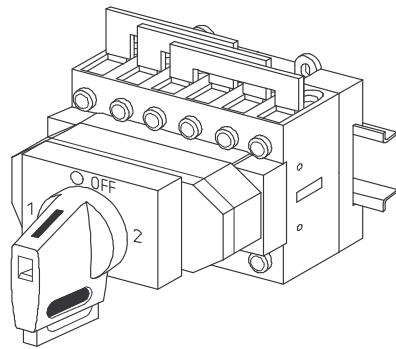
Complete switch	Poles	Product line	Rated data (IEC 60947)			Order code number
			Operational current I _e	Operational power at 380–440 V		
			AC-21A A	AC-23A kW	AC-3 kW	
Main Switches OFF position padlockable 09h	3 ... 8	H400-A/ -D	63	22	18,5	H406 - 41 ... - 126V1
			80	30	22	H408 - 41 ... - 126V1
			100	37	30	H410 - 41 ... - 126V1
			125	45	37	H412 - 41 ... - 126V1
Main/Emergency-Off Switches OFF position padlockable 09h	3 ... 8	H400-A/ -D	63	22	18,5	H406 - 41 ... - 126V4
			80	30	22	H408 - 41 ... - 126V4
			100	37	30	H410 - 41 ... - 126V4
			125	45	37	H412 - 41 ... - 126V4

SMD modules for basic switch A02				
Mounting form/operator module grey, V-handle black, mounting form 126V1		H400-A/ -D		BFA4 - 126V1
Mounting form/operator module yellow, V-handle red, mounting form 126V4		H400-A/ -D		BFA4 - 126V4
Terminal cover, 3 pole		H400-A 1x / -D 2x		TCA4
Terminal cover, each additional single pole		H400-A / -D		TCB4

Dimensions (mm)									
Product lines	A1	A2	B	B1	B2	C	C1	C2	H
H400-A	45	72	70	89	108	55	48	16	80
H400-D	45	72	140	159	178	67	48	16	80

Base Mounting Switches

sälzer



Product line
H400-E

Base mounting switch
Base/front mounting

DIN rail
with cover plate
45 mm aperture

128V1
127V1

Complete switch	Poles	Product line	Rated data (IEC 60947)			Order code number
			Operational current I _e	Operational power at 380–440 V		
			AC-21A A	AC-23A kW	AC-3 kW	
Changeover with OFF Switching angle 90° OFF position padlockable 12h	3 ... 4	H400-E	63	22	18,5	H406 - 71 ... - 128V1
			80	30	22	H408 - 71 ... - 128V1
			100	37	30	H410 - 71 ... - 128V1
			125	45	37	H412 - 71 ... - 128V1
Changeover with OFF Switching angle 90° 3 positions padlockable (09h/12h/03h)	3 ... 4	H400-E	63	22	18,5	H406 - 71 ... - 127V1
			80	30	22	H408 - 71 ... - 127V1
			100	37	30	H410 - 71 ... - 127V1
			125	45	37	H412 - 71 ... - 127V1

SMD modules for basic switch A02

Mounting form/operator module grey, V-handle black, mounting form 128V1

H400-E



BFA4 - 128V1

Mounting form/operator module grey, V-handle black, mounting form 127V1

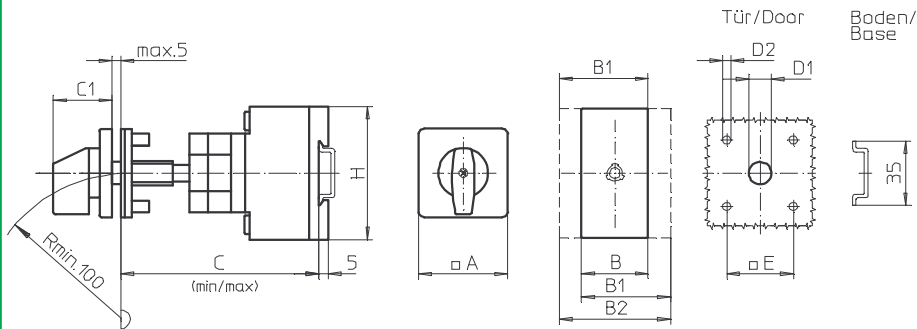
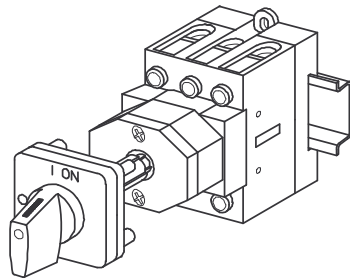
H400-E

BFA4 - 127V1

Dimensions (mm)

Product line	A1	A2	B	B1	B2	C	C1	C2	H
H400-E	45	72	140	159	178	67	48	16	80

Base Mounting Switches



Product lines
H400-A / -D/ -E

Base mounting switch

Door clutch

Modular shaft extension

Four hole mounting

48 x 48 mm front

241M1 (IP66)

Complete switch	Poles	Product line	Rated data (IEC 60947)			Order code number
			Operational current I _e	Operational power at 380–440 V		
			AC-21A A	AC-23A kW	AC-3 kW	
ON-OFF Switches Switching angle 90°	3 ... 8	H400-A/-D	63	22	18,5	H406 - 41 ... - 241M1
			80	30	22	H408 - 41 ... - 241M1
			100	37	30	H410 - 41 ... - 241M1
			125	45	37	H412 - 41 ... - 241M1
Changeover with OFF Switching angle 90°	3 ... 4	H400-E	63	22	18,5	H406 - 71 ... - 241M1
			80	30	22	H408 - 71 ... - 241M1
			100	37	30	H410 - 71 ... - 241M1
			125	45	37	H412 - 71 ... - 241M1

SMD modules for basic switch A02

Mounting form module for 241M1

H400-A/-D
H400-E

BFA4 - 241
BFC4 - 241

M-operator module 64 x 64 mm, mounting form 241M1
Escutcheon black, handle black

H400-A/-D/-E

4AM1

Legend plate silver, operator module 241M1

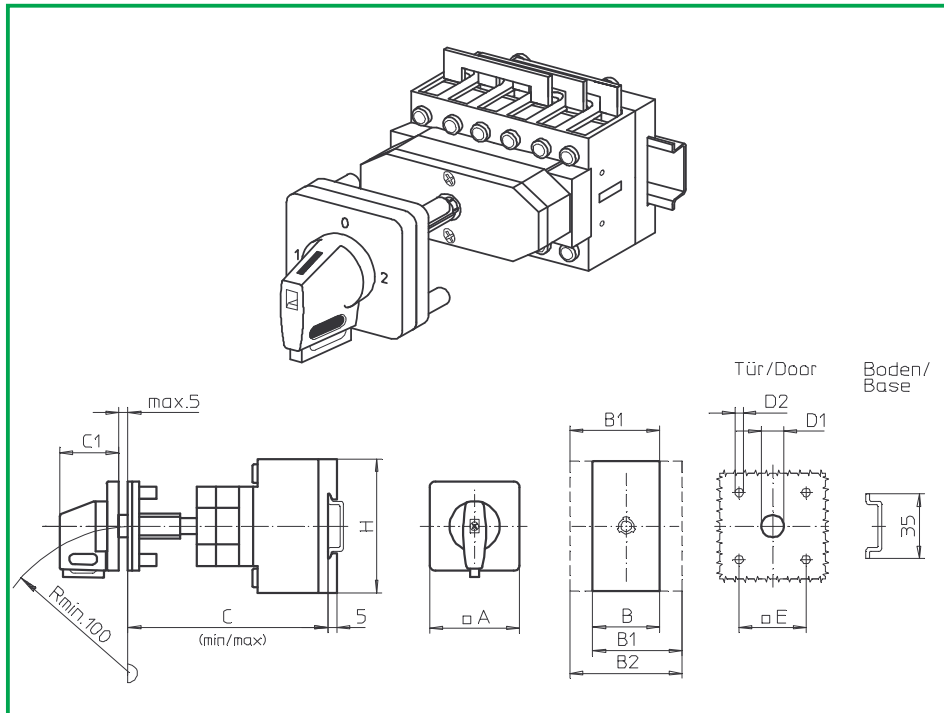
FAS4 - 9... (FA number)

Dimensions (mm)

Product lines	A	B	B1	B2	C _{min}	C _{max}	C1	D1	D2	E	H
H400-A	64	70	89	108	102	119	40	15	5	48	80
H400-D/-E	64	140	159	178	115	132	40	15	5	48	80

Base Mounting Switches

sälzer



**Product line
H400-E**

Base mounting switch

Door clutch

Modular shaft extension

Four hole mounting

48 x 48 mm front

240V1 (IP66)

241V1 (IP66)

Complete switch	Poles	Product line	Rated data (IEC 60947)			Order code number
			Operational current I _e	Operational power at 380–440 V		
			AC-21A A	AC-23A kW	AC-3 kW	
Changeover with OFF Switching angle 90° 3 positions padlockable (09h/12h/03h)	3 ... 4	H400-E	63	22	18,5	H406 - 71 ... - 240V1
			80	30	22	H408 - 71 ... - 240V1
			100	37	30	H410 - 71 ... - 240V1
			125	45	37	H412 - 71 ... - 240V1
Changeover with OFF Switching angle 90° OFF position padlockable 12h	3 ... 4	H400-E	63	22	18,5	H406 - 71 ... - 241V1
			80	30	22	H408 - 71 ... - 241V1
			100	37	30	H410 - 71 ... - 241V1
			125	45	37	H412 - 71 ... - 241V1

SMD modules for basic switch A02

Mounting form module for 240V1/ 241V1

H400-E

BFC4 - 241

M-operator module 64 x 64 mm, mounting form 240V1
Escutcheon black, handle black

4AV1 - 99

M-operator module 64 x 64 mm, mounting form 241V1
Escutcheon black, handle black

2AV1 - 12

Legend plate silver, operator module 240V1/ 241V1

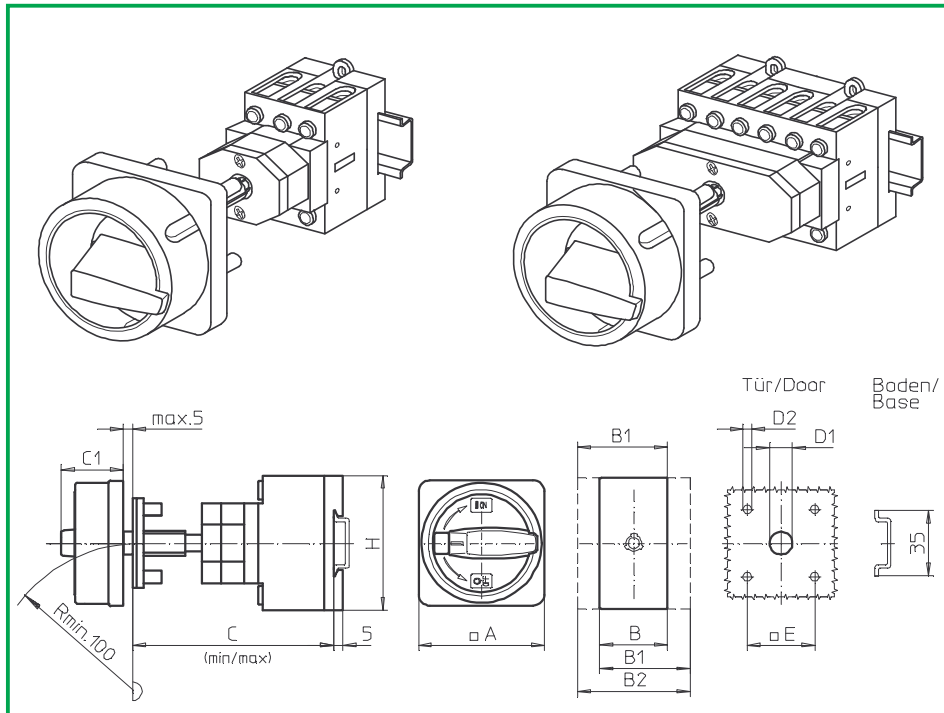
FAS4 - 9... (FA number)

Dimensions (mm)

Product line	A	B	B1	B2	C _{min}	C _{max}	C1	D1	D2	E	H
H400-E	64	140	159	178	115	132	40	15	5	48	80

Base Mounting Switches

sälzer



Product lines
H400-A/ -D

Base mounting switch

Door clutch

Modular shaft extension

Four hole mounting

48 x 48 mm front

232M1 (IP66)

232M4 (IP66)

Complete switch	Poles	Product line	Rated data (IEC 60947)			Order code number
			Operational current I _e	Operational power at 380–440 V		
			AC-21A A	AC-23A kW	AC-3 kW	
Main Switches OFF position padlockable 09h	3 ... 8	H400-A/ -D	63	22	18,5	H406 - 41 ... - 232M1
			80	30	22	H408 - 41 ... - 232M1
			100	37	30	H410 - 41 ... - 232M1
			125	45	37	H412 - 41 ... - 232M1
Main/Emergency-Off Switches OFF position padlockable 09h	3 ... 8	H400-A/ -D	63	22	18,5	H406 - 41 ... - 232M4
			80	30	22	H408 - 41 ... - 232M4
			100	37	30	H410 - 41 ... - 232M4
			125	45	37	H412 - 41 ... - 232M4

SMD modules for basic switch A02

Mounting form module for 232M.

H400-A/ -D

BFA4 - 232

M-padlock device 88 x 88 mm, mounting form 232M1
Escutcheon black, padlockable handle black

4CM1

M-padlock device 88 x 88 mm, mounting form 232M4
Escutcheon yellow, padlockable handle red

4CM4

Terminal cover, 3 pole

H400-A 1x / -D 2x

TCA4

Terminal cover, each additional single pole

H400-A/ -D

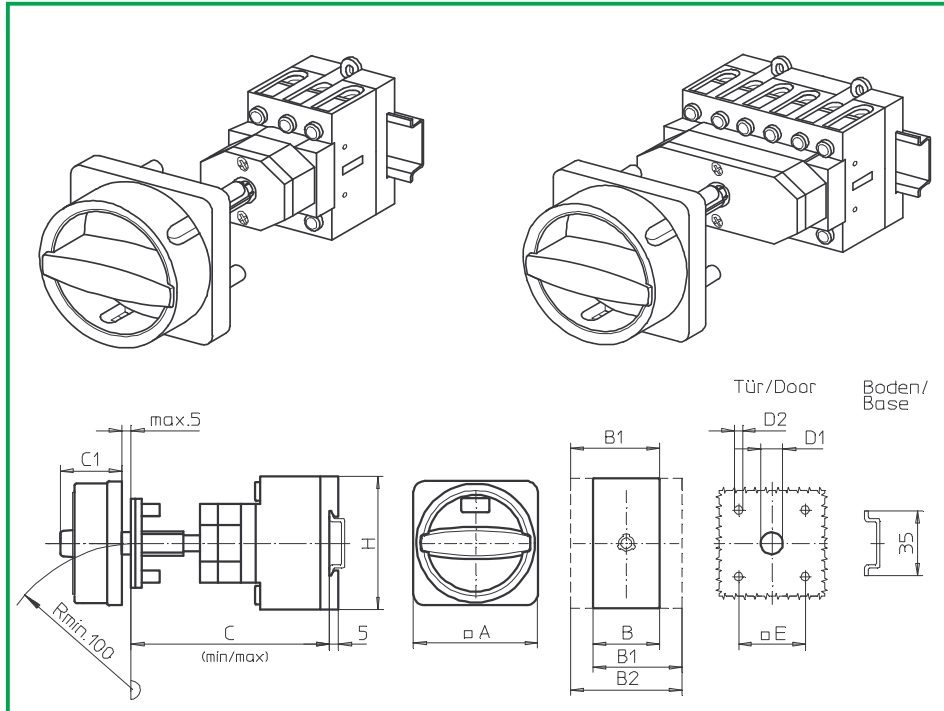
TCB4

Dimensions (mm)

Product lines	A	B	B1	B2	C _{min}	C _{max}	C1	D1	D2	E	H
H400-A	88	70	89	108	102	119	50	15	5	48	80
H400-D	88	140	159	178	115	132	50	15	5	48	80

Base Mounting Switches

sälzer



**Product lines
H400-A/ -D**

Base mounting switch

Door clutch

Modular shaft extension

Four hole mounting

48 x 48 mm front

232N1 (IP66)

232N4 (IP66)

Complete switch	Poles	Product line	Rated data (IEC 60947)			Order code number
			Operational current I _e	Operational power at 380–440 V		
			AC-21A A	AC-23A kW	AC-3 kW	
Main Switches OFF position padlockable 09h	3 ... 8	H400-A/ -D	63	22	18,5	H406 - 41 ... - 232N1
			80	30	22	H408 - 41 ... - 232N1
			100	37	30	H410 - 41 ... - 232N1
			125	45	37	H412 - 41 ... - 232N1
Main/Emergency-Off Switches OFF position padlockable 09h	3 ... 8	H400-A/ -D	63	22	18,5	H406 - 41 ... - 232N4
			80	30	22	H408 - 41 ... - 232N4
			100	37	30	H410 - 41 ... - 232N4
			125	45	37	H412 - 41 ... - 232N4

SMD modules for basic switch A02

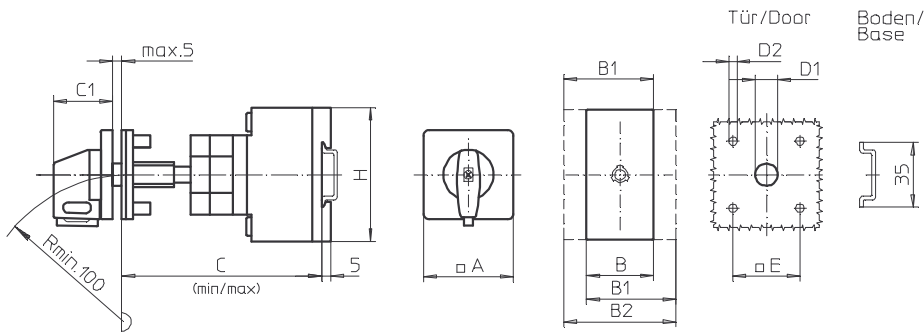
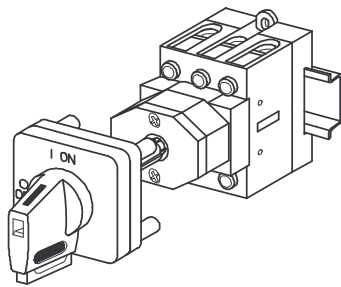
Mounting form module for 232N.	H400-A/ -D	BFA4 - 232
N-padlock device 88 x 88 mm, mounting form 232N1 Escutcheon black, padlockable handle black		4CN1
N-padlock device 88 x 88 mm, mounting form 232N4 Escutcheon yellow, padlockable handle red		4CN4
Terminal cover, 3 pole	H400-A 1x / -D 2x	TCA4
Terminal cover, each additional single pole	H400-A/ -D	TCB4

Dimensions (mm)

Product lines	A	B	B1	B2	C _{min}	C _{max}	C1	D1	D2	E	H
H400-A	88	70	89	108	102	119	45	15	5	48	80
H400-D	88	140	159	178	115	132	45	15	5	48	80

Base Mounting Switches

sälzer



Product lines
H400-A/ -D

Base mounting switch

Door clutch

Modular shaft extension

Four hole mounting

48 x 48 mm front

232V1 (IP66)

232V4 (IP66)

Complete switch	Poles	Product line	Rated data (IEC 60947)			Order code number
			Operational current I _e	Operational power at 380–440 V		
			AC-21A A	AC-23A kW	AC-3 kW	
Main Switches OFF position padlockable 09h		H400-A/ -D	63	22	18,5	H406 - 41 ... - 232V1
			80	30	22	H408 - 41 ... - 232V1
			100	37	30	H410 - 41 ... - 232V1
			125	45	37	H412 - 41 ... - 232V1
Main/Emergency-Off Switches OFF position padlockable 09h		H400-A/ -D	63	22	18,5	H406 - 41 ... - 232V4
			80	30	22	H408 - 41 ... - 232V4
			100	37	30	H410 - 41 ... - 232V4
			125	45	37	H412 - 41 ... - 232V4

SMD modules for basic switch A02

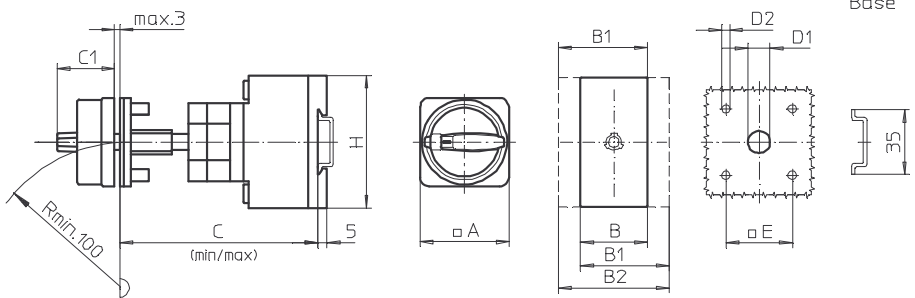
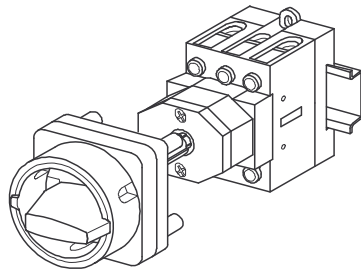
Mounting form module for 232V.	H400-A/ -D	BFA4 - 241
V-operator module 64 x 64 mm, mounting form 232V1		4AV1 - 09
Escutcheon black, handle black		
Legend plate silver, operator module 232V1		FAS4 - 9...
V-operator module 64 x 64 mm, mounting form 232V4		4AV4 - 09
Escutcheon black, handle red		
Legend plate yellow, operator module 232V4		FBS4 - 9...
Terminal cover, 3 pole	H400-A 1x / -D 2x	TCA4
Terminal cover, each additional single pole	H400-A/ -D	TCB4

Dimensions (mm)

Product lines	A	B	B1	B2	C _{min}	C _{max}	C1	D1	D2	E	H
H400-A	64	70	89	108	102	119	40	15	5	48	80
H400-D	64	140	159	178	115	132	40	15	5	48	80

Base Mounting Switches

sälzer



**Product lines
H400-A/ -D**

Base mounting switch

Door clutch

Modular shaft extension

Four hole mounting

48 x 48 mm front

231M1 (IP66)

231M4 (IP66)

Complete switch	Poles	Product line	Rated data (IEC 60947)			Order code number
			Operational current I _e	Operational power at 380–440 V		
			AC-21A A	AC-23A kW	AC-3 kW	
Main Switches OFF position padlockable 09h		H400-A/ -D	63	22	18,5	H406 - 41 ... - 231M1
			80	30	22	H408 - 41 ... - 231M1
			100	37	30	H410 - 41 ... - 231M1
			125	45	37	H412 - 41 ... - 231M1
Main/Emergency-Off Switches OFF position padlockable 09h		H400-A/ -D	63	22	18,5	H406 - 41 ... - 231M4
			80	30	22	H408 - 41 ... - 231M4
			100	37	30	H410 - 41 ... - 231M4
			125	45	37	H412 - 41 ... - 231M4

SMD modules for basic switch A02

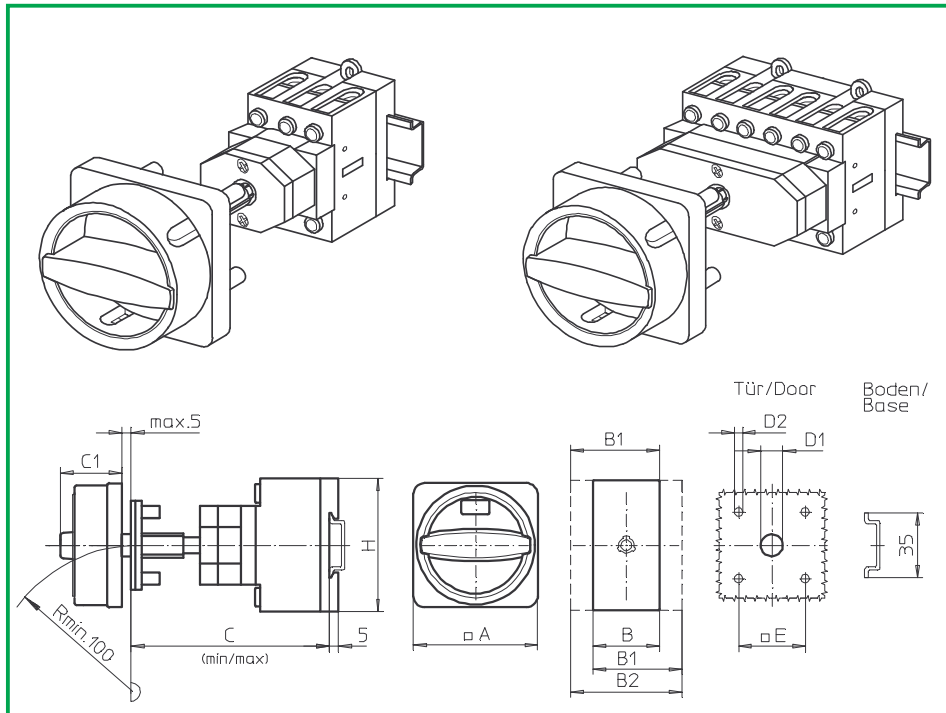
Mounting form module for 231M.	H400-A/ -D	BFA4 - 231
M-padlock device 67 x 67 mm, mounting form 231M1 Escutcheon black, padlockable handle black		4BM1
M-padlock device 67 x 67 mm, mounting form 231M4 Escutcheon yellow, padlockable handle red		4BM4
Terminal cover, 3 pole	H400-A 1x / -D 2x	TCA4
Terminal cover, each additional single pole	H400-A/ -D	TCB4

Dimensions (mm)

Product lines	A	B	B1	B2	C _{min}	C _{max}	C1	D1	D2	E	H
H400-A	67	70	89	108	102	119	38	15	5	48	80
H400-D	67	140	159	178	115	132	38	15	5	48	80

Base Mounting Switches

sälzer



**Product lines
H400-A/ -D**

Base mounting switch

Door clutch

Modular shaft extension

Four hole mounting

48 x 48 mm front

231N1 (IP66)

231N4 (IP66)

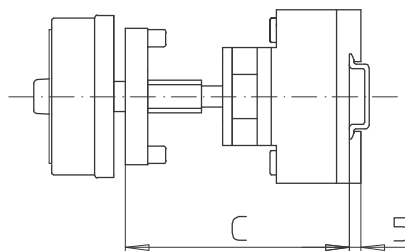
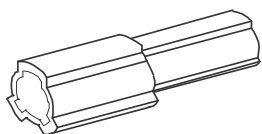
Complete switch	Poles	Product line	Rated data (IEC 60947)			Order code number
			Operational current I _e	Operational power at 380–440 V		
			AC-21A A	AC-23A kW	AC-3 kW	
Main Switches OFF position padlockable 09h		H400-A/ -D	63	22	18,5	H406 - 41 ... - 231N1
			80	30	22	H408 - 41 ... - 231N1
			100	37	30	H410 - 41 ... - 231N1
			125	45	37	H412 - 41 ... - 231N1
Main/Emergency-Off Switches OFF position padlockable 09h		H400-A/ -D	63	22	18,5	H406 - 41 ... - 231N4
			80	30	22	H408 - 41 ... - 231N4
			100	37	30	H410 - 41 ... - 231N4
			125	45	37	H412 - 41 ... - 231N4

SMD modules for basic switch A02		
Mounting form module for 231N.	H400-A/ -D	BFA4 - 231
N-padlock device 67 x 67 mm, mounting form 231N1 Escutcheon black, padlockable handle black		4BN1
N-padlock device 67 x 67 mm, mounting form 231N4 Escutcheon yellow, padlockable handle red		4BN4
Terminal cover, 3 pole	H400-A 1x / -D 2x	TCA4
Terminal cover, each additional single pole	H400-A/ -D	TCB4

Dimensions (mm)											
Product lines	A	B	B1	B2	C _{min}	C _{max}	C1	D1	D2	E	H
H400-A	67	70	89	108	102	119	33	15	5	48	80
H400-D	67	140	159	178	115	132	33	15	5	48	80

Modular shaft extension

sälzer



Product lines
H400-A/ -D/ -E

Base mounting switch

Door clutch

Modular shaft extension

Four hole mounting

Front

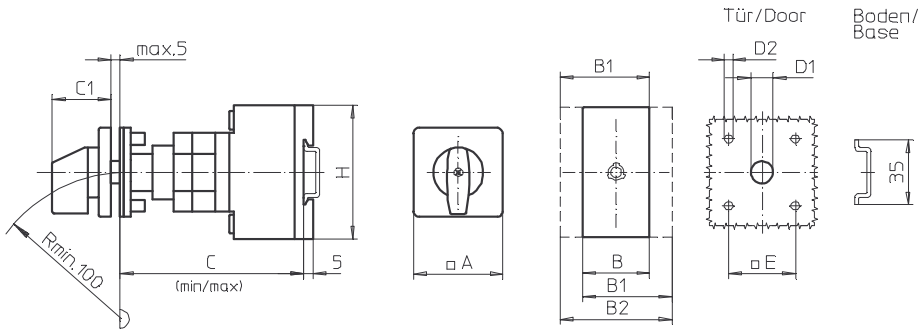
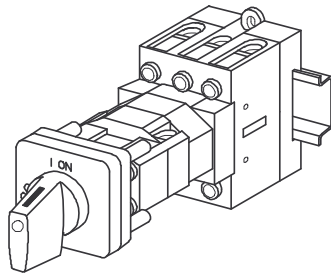
AVD4

Modular shaft extensions for use with door clutch

Dimension C (internal depth, inside of door to top of DIN rail)

Dimension	H400-A	H400-D/ -E	No.	Order code number
0	102 ... 119 mm	115 ... 132 mm	-	-
1	120 ... 144 mm	133 ... 157 mm	1	AVD4
2	145 ... 169 mm	158 ... 182 mm	2	AVD4
3	170 ... 194 mm	183 ... 207 mm	3	AVD4
4	195 ... 219 mm	208 ... 232 mm	4	AVD4

Base Mounting Switches



Product lines
H400-A/ -D/ -E

Base mounting switch

Door interlock

Modular shaft extension

Four hole mounting

48 x 48 mm front

242M1 (IP66)

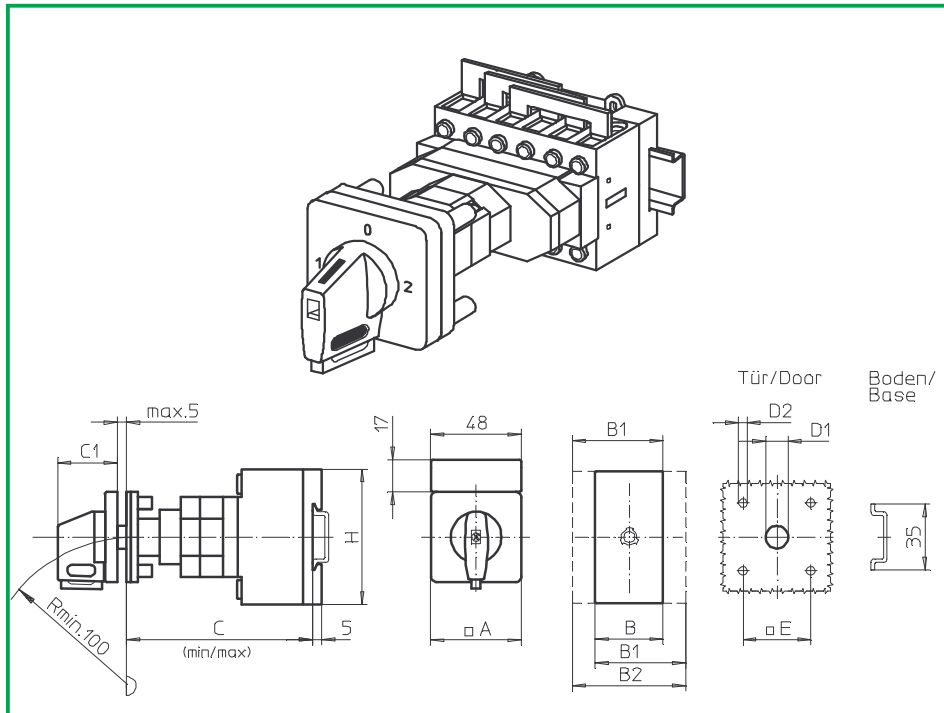
Complete switch	Poles	Product line	Rated data (IEC 60947)			Order code number
			Operational current I _e	Operational power at 380–440 V		
			AC-21A A	AC-23A kW	AC-3 kW	
ON-OFF Switches Switching angle 90°	3 ... 8	H400-A/ -D	63	22	18,5	H406 - 41 ... - 242M1
			80	30	22	H408 - 41 ... - 242M1
			100	37	30	H410 - 41 ... - 242M1
			125	45	37	H412 - 41 ... - 242M1
Changeover with OFF Switching angle 90°	3 ... 4	H400-E	63	22	18,5	H406 - 71 ... - 242M1
			80	30	22	H408 - 71 ... - 242M1
			100	37	30	H410 - 71 ... - 242M1
			125	45	37	H412 - 71 ... - 242M1

SMD modules for basic switch A02		
Mounting form module for 242M1	H400-A/ -D H400-E	BFA4 - 242 BFC4 - 242
M-operator module 64 x 64 mm, mounting form 242M1 Escutcheon black, handle black	H400-A/ -D/ -E	4AM1
Legend plate silver, operator module 242M1		FAS4 - 9... (FA number)

Dimensions (mm)											
Product lines	A	B	B1	B2	C _{min}	C _{max}	C1	D1	D2	E	H
H400-A	64	70	89	108	102	117	40	15	5	48	80
H400-D/ -E	64	140	159	178	115	130	40	15	5	48	80

Base Mounting Switches

sälzer



Product line
H400-E

Base mounting switch

Door interlock
Modular shaft extension

Four hole mounting
48 x 48 mm front

242V1 (IP66)
243V1 (IP66)

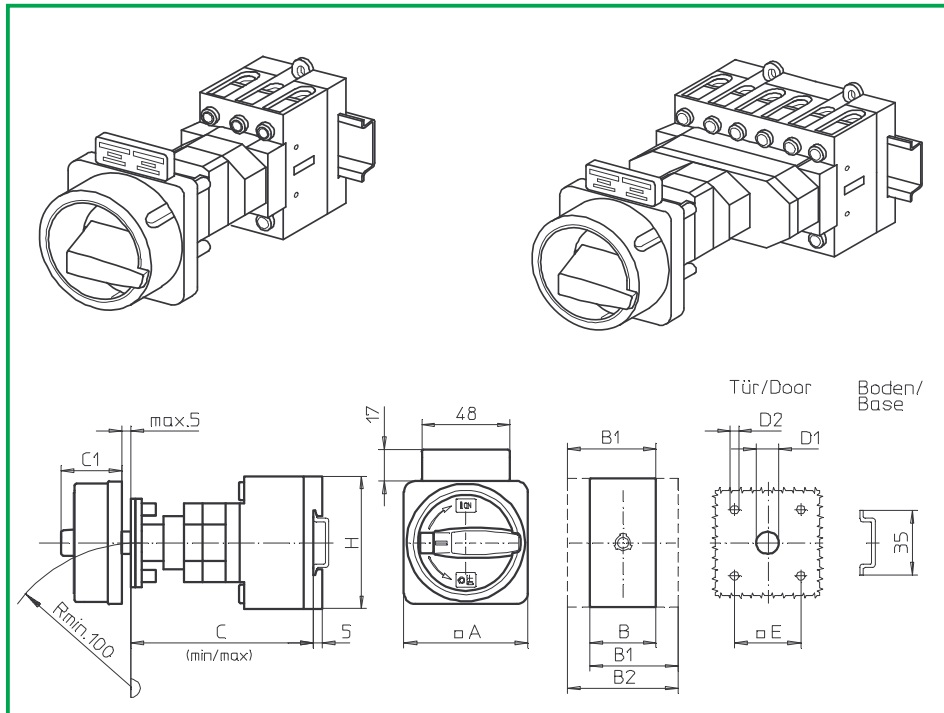
Complete switch	Poles	Product line	Rated data (IEC 60947)			Order code number
			Operational current I _e	Operational power at 380–440 V		
			AC-21A A	AC-23A kW	AC-3 kW	
Changeover with OFF Switching angle 90° OFF position padlockable 12h	3 ... 4	H400-E	63	22	18,5	H406 - 71 ... - 242V1
			80	30	22	H408 - 71 ... - 242V1
			100	37	30	H410 - 71 ... - 242V1
			125	45	37	H412 - 71 ... - 242V1
Changeover with OFF Switching angle 90° 3 positions padlockable (09h/12h/03h)	3 ... 4	H400-E	63	22	18,5	H406 - 71 ... - 243V1
			80	30	22	H408 - 71 ... - 243V1
			100	37	30	H410 - 71 ... - 243V1
			125	45	37	H412 - 71 ... - 243V1

SMD modules for basic switch A02		
Mounting form module for 242V1/ 243V1	H400-E	BFC4 - 242
M-operator module 64 x 64 mm, mounting form 242V1 Escutcheon black, handle black		4AV1 - 12
M-operator module 64 x 64 mm, mounting form 243V1 Escutcheon black, handle black		4AV1 - 99
Legend plate silver, operator module 242V1/ 243V1		FAS4 - 9... (FA number)

Dimensions (mm)											
Product line	A	B	B1	B2	C _{min}	C _{max}	C1	D1	D2	E	H
H400-E	64	140	159	178	115	130	40	15	5	48	80

Base Mounting Switches

sälzer



Product lines
H400-A/ -D

Base mounting switch

Door interlock
Modular shaft extension

Four hole mounting
48 x 48 mm front

234M1 (IP66)

234M4 (IP66)

Complete switch	Poles	Product line	Rated data (IEC 60947)			Order code number
			Operational current I _e	Operational power at 380–440 V		
			AC-21A A	AC-23A kW	AC-3 kW	
Main Switches OFF position padlockable 09h	3 ... 8	H400-A/ -D	63	22	18,5	H406 - 41 ... - 234M1
			80	30	22	H408 - 41 ... - 234M1
			100	37	30	H410 - 41 ... - 234M1
			125	45	37	H412 - 41 ... - 234M1
Main/Emergency-Off Switches OFF position padlockable 09h	3 ... 8	H400-A/ -D	63	22	18,5	H406 - 41 ... - 234M4
			80	30	22	H408 - 41 ... - 234M4
			100	37	30	H410 - 41 ... - 234M4
			125	45	37	H412 - 41 ... - 234M4

SMD modules for basic switch A02

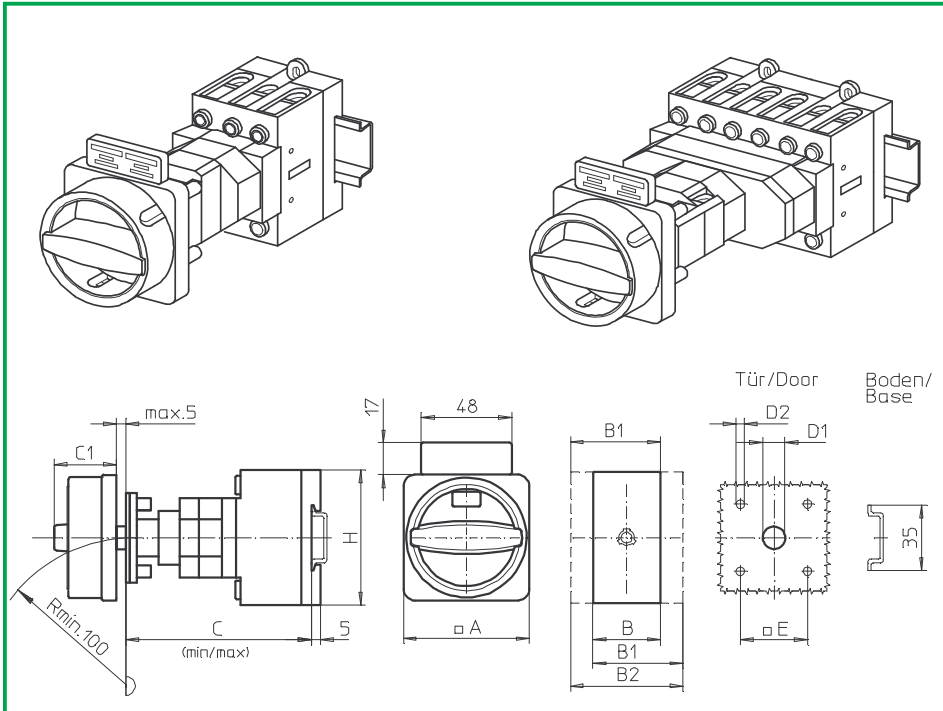
Mounting form module for 234M.	H400-A/ -D	BFA4 - 234
M-padlock device 88 x 88 mm, mounting form 234M1 Escutcheon black, padlockable handle black		4CM1
M-padlock device 88 x 88 mm, mounting form 234M4 Escutcheon yellow, padlockable handle red		4CM4
Additional top escutcheon plate		FAZZ - 8041
Terminal cover, 3 pole	H400-A 1x / -D 2x	TCA4
Terminal cover, each additional single pole	H400-A/ -D	TCB4

Dimensions (mm)

Product lines	A	B	B1	B2	C _{min}	C _{max}	C1	D1	D2	E	H
H400-A	88	70	89	108	102	117	50	15	5	48	80
H400-D	88	140	159	178	115	130	50	15	5	48	80

Base Mounting Switches

sälzer



Product lines
H400-A/ -D

Base mounting switch

Door interlock

Modular shaft extension

Four hole mounting

48 x 48 mm front

234N1 (IP66)

234N4 (IP66)

Complete switch	Poles	Product line	Rated data (IEC 60947)			Order code number
			Operational current I _e	Operational power at 380–440 V		
			AC-21A A	AC-23A kW	AC-3 kW	
Main Switches OFF position padlockable 09h	3 ... 8	H400-A/ -D	63	22	18,5	H406 - 41 ... - 234N1
			80	30	22	H408 - 41 ... - 234N1
			100	37	30	H410 - 41 ... - 234N1
			125	45	37	H412 - 41 ... - 234N1
Main/Emergency-Off Switches OFF position padlockable 09h	3 ... 8	H400-A/ -D	63	22	18,5	H406 - 41 ... - 234N4
			80	30	22	H408 - 41 ... - 234N4
			100	37	30	H410 - 41 ... - 234N4
			125	45	37	H412 - 41 ... - 234N4

SMD modules for basic switch A02

Mounting form module for 234M.

H400-A/ -D

BFA4 - 234

N-padlock device 88 x 88 mm, mounting form 234N1
Escutcheon black, padlockable handle black

4CN1

N-padlock device 88 x 88 mm, mounting form 234N4
Escutcheon yellow, padlockable handle red

4CN4

Additional top escutcheon plate

FAZ2 - 8041

Terminal cover, 3 pole

H400-A 1x / -D 2x

TCA4

Terminal cover, each additional single pole

H400-A/ -D

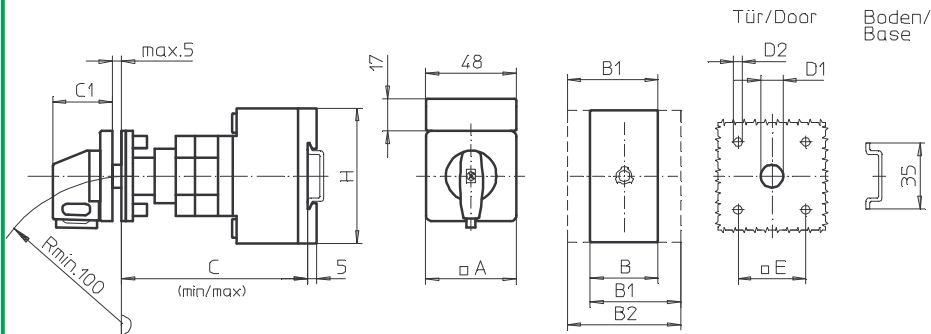
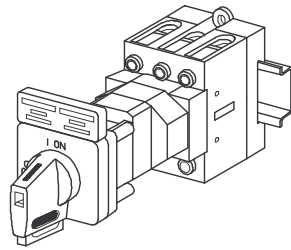
TCB4

Dimensions (mm)

Product lines	A	B	B1	B2	C _{min}	C _{max}	C1	D1	D2	E	H
H400-A	88	70	89	108	102	117	45	15	5	48	80
H400-D	88	140	159	178	115	130	45	15	5	48	80

Base Mounting Switches

sälzer



Product lines
H400-A/ -D

Base mounting switch

Door interlock

Modular shaft extension

Four hole mounting

48 x 48 mm front

234V1 (IP66)

234V4 (IP66)

Complete switch	Poles	Product line	Rated data (IEC 60947)			Order code number
			Operational current I _e	Operational power at 380–440 V		
			AC-21A A	AC-23A kW	AC-3 kW	
Main Switches OFF position padlockable 09h	3 ... 8	H400-A/ -D	63	22	18,5	H406 - 41 ... - 234V1
			80	30	22	H408 - 41 ... - 234V1
			100	37	30	H410 - 41 ... - 234V1
			125	45	37	H412 - 41 ... - 234V1
Main/Emergency-Off Switches OFF position padlockable 09h	3 ... 8	H400-A/ -D	63	22	18,5	H406 - 41 ... - 234V4
			80	30	22	H408 - 41 ... - 234V4
			100	37	30	H410 - 41 ... - 234V4
			125	45	37	H412 - 41 ... - 234V4

SMD modules for basic switch A02

Mounting form module for 234V.

H400-A/ -D

BFA4 - 242
4AV1 - 09

V-operator module 64 x 64 mm, mounting form 234V1

Escutcheon black, handle black

Legend plate silver, operator module 234V1

FAS4 - 9...

V-operator module 64 x 64 mm, mounting form 234V4

4AV4 - 09

Escutcheon black, handle red

Legend plate yellow, operator module 232V4

FBS4 - 9...

Additional top escutcheon plate

FAZ2 - 8041

Terminal cover, 3 pole

H400-A 1x / -D 2x

TCA4

Terminal cover, each additional single pole

H400-A/ -D

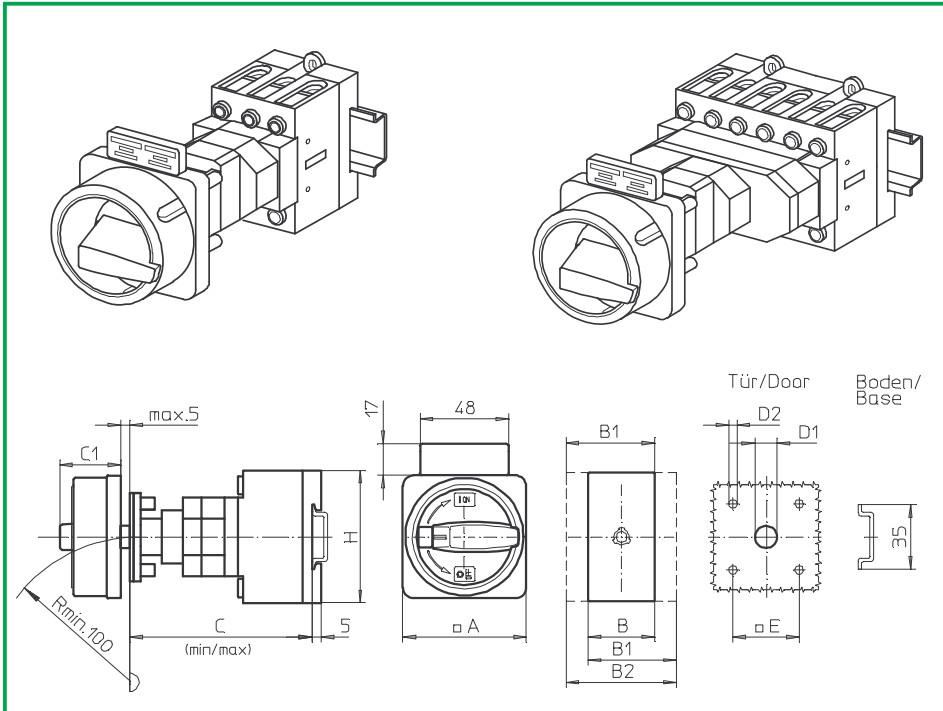
TCB4

Dimensions (mm)

Product lines	A	B	B1	B2	C _{min}	C _{max}	C1	D1	D2	E	H
H400-A	64	70	89	108	102	117	40	15	5	48	80
H400-D	64	140	159	178	115	130	40	15	5	48	80

Base Mounting Switches

sälzer



Product lines
H400-A/ -D

Base mounting switch

Door interlock
Modular shaft extension

Four hole mounting
48 x 48 mm front

235M1 (IP66)

235M4 (IP66)

Complete switch	Poles	Product line	Rated data (IEC 60947)			Order code number
			Operational current I _e	Operational power at 380–440 V		
			AC-21A A	AC-23A kW	AC-3 kW	
Main Switches OFF position padlockable 09h	3 ... 8	H400-A/ -D	63	22	18,5	H406 - 41 ... - 235M1
			80	30	22	H408 - 41 ... - 235M1
			100	37	30	H410 - 41 ... - 235M1
			125	45	37	H412 - 41 ... - 235M1
Main/Emergency-Off Switches OFF position padlockable 09h	3 ... 8	H400-A/ -D	63	22	18,5	H406 - 41 ... - 235M4
			80	30	22	H408 - 41 ... - 235M4
			100	37	30	H410 - 41 ... - 235M4
			125	45	37	H412 - 41 ... - 235M4

SMD modules for basic switch A02

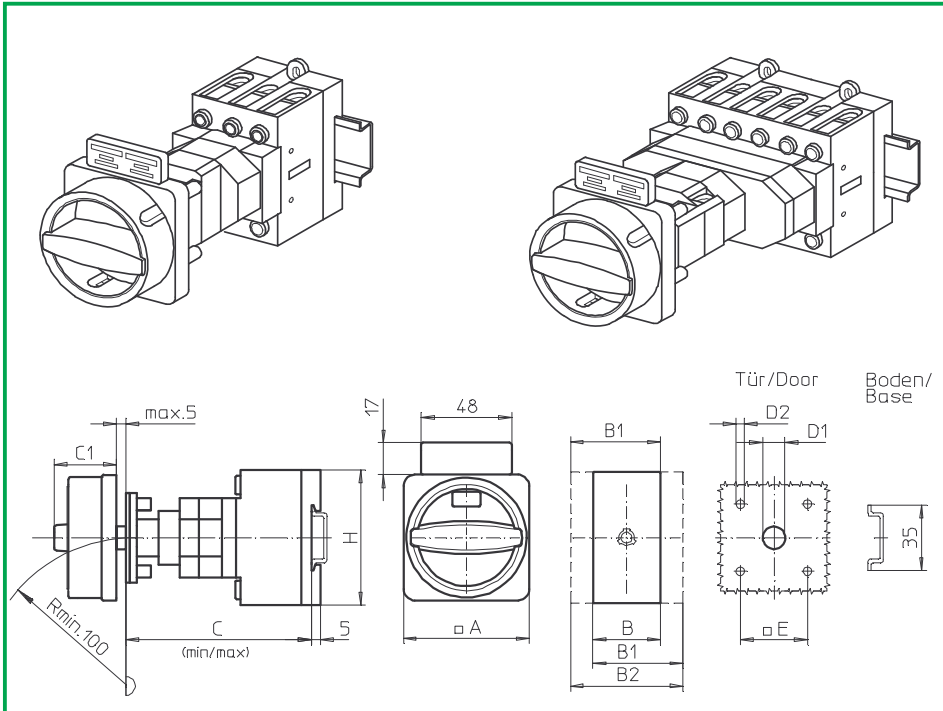
Mounting form module for 235M.	H400-A/ -D	BFA4 - 235
M-padlock device 67 x 67 mm, mounting form 235M1 Escutcheon black, padlockable handle black		4BM1
M-padlock device 67 x 67 mm, mounting form 235M4 Escutcheon yellow, padlockable handle red		4BM4
Additional top escutcheon plate		FAZ2 - 8041
Terminal cover, 3 pole	H400-A 1x / -D 2x	TCA4
Terminal cover, each additional single pole	H400-A/ -D	TCB4

Dimensions (mm)

Product lines	A	B	B1	B2	C _{min}	C _{max}	C1	D1	D2	E	H
H400-A	67	70	89	108	102	117	38	15	5	48	80
H400-D	67	140	159	178	115	130	38	15	5	48	80

Base Mounting Switches

sälzer



Product lines
H400-A/ -D

Base mounting switch

Door interlock

Modular shaft extension

Four hole mounting

48 x 48 mm front

235N1 (IP66)

235N4 (IP66)

Complete switch	Poles	Product line	Rated data (IEC 60947)			Order code number
			Operational current I _e	Operational power at 380–440 V		
			AC-21A A	AC-23A kW	AC-3 kW	
Main Switches OFF position padlockable 09h	3 ... 8	H400-A/ -D	63	22	18,5	H406 - 41 ... - 235N1
			80	30	22	H408 - 41 ... - 235N1
			100	37	30	H410 - 41 ... - 235N1
			125	45	37	H412 - 41 ... - 235N1
Main/Emergency-Off Switches OFF position padlockable 09h	3 ... 8	H400-A/ -D	63	22	18,5	H406 - 41 ... - 235N4
			80	30	22	H408 - 41 ... - 235N4
			100	37	30	H410 - 41 ... - 235N4
			125	45	37	H412 - 41 ... - 235N4

SMD modules for basic switch A02

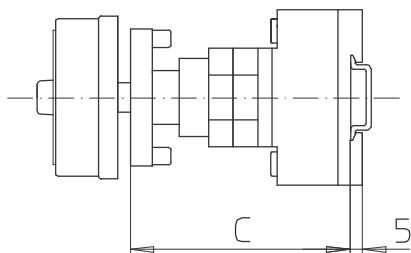
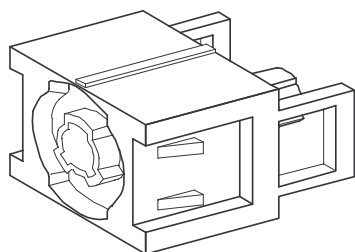
Mounting form module for 235N.	H400-A/ -D	BFA4 - 235
N-padlock device 67 x 67 mm, mounting form 235N1 Escutcheon black, padlockable handle black		4BN1
N-padlock device 67 x 67 mm, mounting form 235N4 Escutcheon yellow, padlockable handle red		4BN4
Additional top escutcheon plate		FAZ2 - 8041
Terminal cover, 3 pole	H400-A 1x / -D 2x	TCA4
Terminal cover, each additional single pole	H400-A/ -D	TCB4

Dimensions (mm)

Product lines	A	B	B1	B2	C _{min}	C _{max}	C1	D1	D2	E	H
H400-A	67	70	89	108	102	117	33	15	5	48	80
H400-D	67	140	159	178	115	130	33	15	5	48	80

Modular shaft extension

sälzer



Product lines
H400-A/ -D/ -E

Base mounting switch

Door interlock
Modular shaft extension

Four hole mounting
Front

AVC4 - .

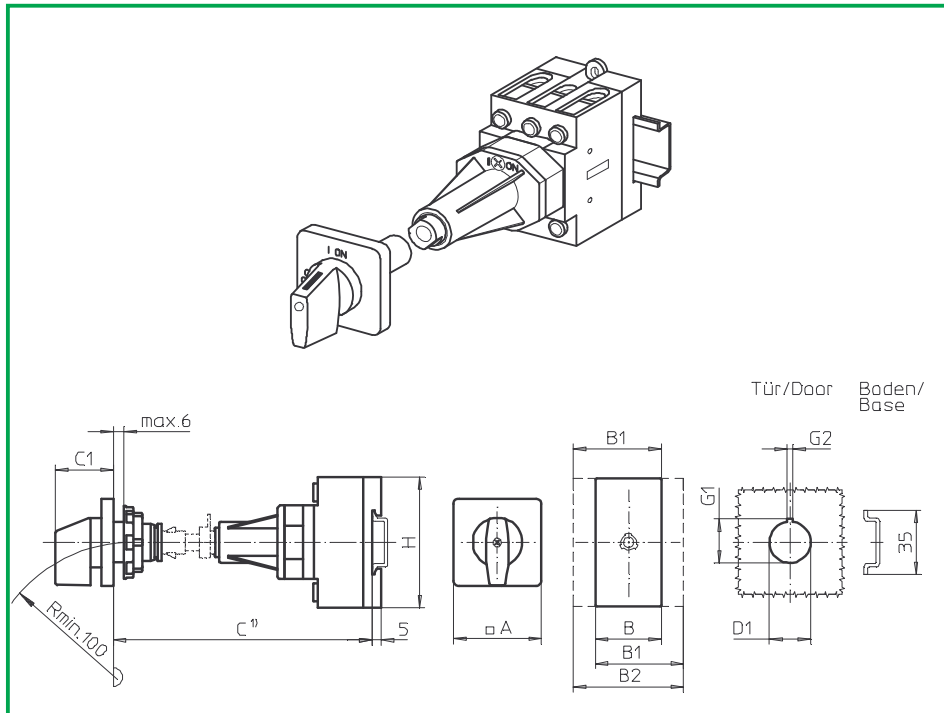
Modular shaft extensions for use with door interlock

Dimension C (internal depth, inside of door to top of DIN rail)

Dimension	H400-A	H400-D/ -E	No.	Order code number
0	102 ... 117 mm	115 ... 130 mm	-	-
1	122 ... 142 mm	135 ... 155 mm	1	AVC4 - 1
2	147 ... 167 mm	160 ... 180 mm	1	AVC4 - 2
3	172 ... 192 mm	185 ... 205 mm	1	AVC4 - 3
4	197 ... 217 mm	210 ... 230 mm	1	AVC4 - 4

Base Mounting Switches

sälzer



Product lines
H400-A/ -D

Base mounting switch

Door clutch

Metal shaft extension

Single hole mounting

ø 22,5 mm front

282M1 (IP66)

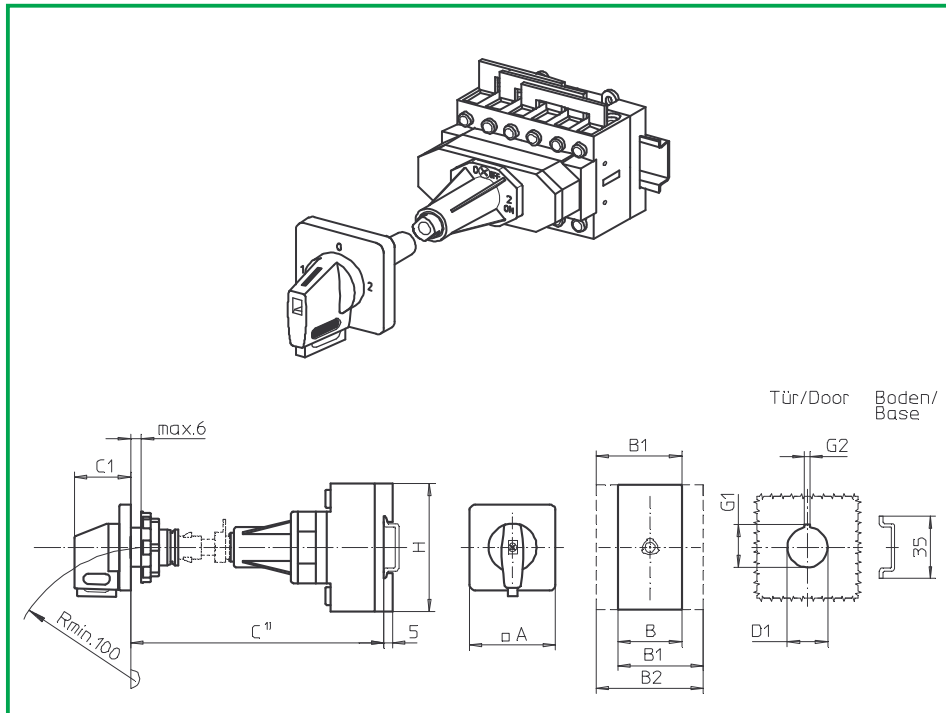
Complete switch	Poles	Product line	Rated data (IEC 60947)			Order code number
			Operational current I _e	Operational power at 380–440 V		
			AC-21A A	AC-23A kW	AC-3 kW	
ON-OFF Switches Switching angle 90°	3 ... 8	H400-A/ -D	63	22	18,5	H406 - 41 ... - 282M1
			80	30	22	H408 - 41 ... - 282M1
			100	37	30	H410 - 41 ... - 282M1
			125	45	37	H412 - 41 ... - 282M1

SMD modules for basic switch A02			
Mounting form module for 282M1		H400-A/ -D	BFA4 - 280
M-operator module 64 x 64 mm, mounting form 282M1			2NM1
Escutcheon black, handle black			
Legend plate silver, operator module 282M1			FAS4 - 9... (FA number)

Dimensions (mm)									
Product lines	A	B	B1	B2	C1	D1	G1	G2	H
H400-A	64	70	89	108	39	22,5	24,2	3,2	80
H400-D	64	140	159	178	39	22,5	24,2	3,2	80

Base Mounting Switches

sälzer



**Product line
H400-E**

Base mounting switch

Door clutch

Metal shaft extension

Single hole mounting

ø 22,5 mm front

282V1 (IP66)

292V1 (IP66)

Complete switch	Poles	Product line	Rated data (IEC 60947)			Order code number
			Operational current I _e	Operational power at 380–440 V		
			AC-21A A	AC-23A kW	AC-3 kW	
Changeover with OFF Switching angle 90° OFF position padlockable 12h	3 ... 4	H400-E	63	22	18,5	H406 - 71 ... - 282V1
			80	30	22	H408 - 71 ... - 282V1
			100	37	30	H410 - 71 ... - 282V1
			125	45	37	H412 - 71 ... - 282V1
Changeover with OFF Switching angle 90° 3 positions padlockable (09h/12h/03h)	3 ... 4	H400-E	63	22	18,5	H406 - 71 ... - 292V1
			80	30	22	H408 - 71 ... - 292V1
			100	37	30	H410 - 71 ... - 292V1
			125	45	37	H412 - 71 ... - 292V1

SMD modules for basic switch A02

Mounting form module for 282V1/ 292V1

H400-E

BFB4 - 280

V-operator module 64 x 64 mm, mounting form 282V1
Escutcheon black, handle black

2NV1 - 12

V-operator module 64 x 64 mm, mounting form 292V1
Escutcheon black, handle black

2NV1 - 99

Legend plate silver, operator module 282V1/ 292V1

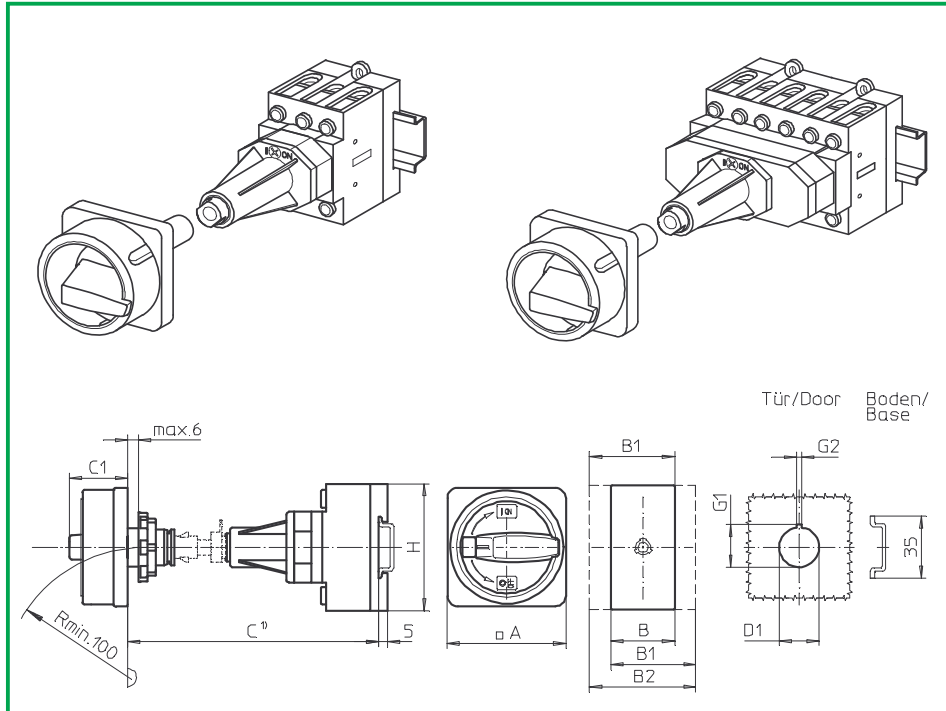
FAS4 - 9... (FA number)

Dimensions (mm)

Product line	A	B	B1	B2	C1	D1	G1	G2	H
H400-E	64	140	159	178	39	22,5	24,2	3,2	80

Base Mounting Switches

sälzer



**Product lines
H400-A/ -D**

Base mounting switch

Door clutch

Metal shaft extension

Single hole mounting

ø 22,5 mm front

280M1 (IP66)

280M4 (IP66)

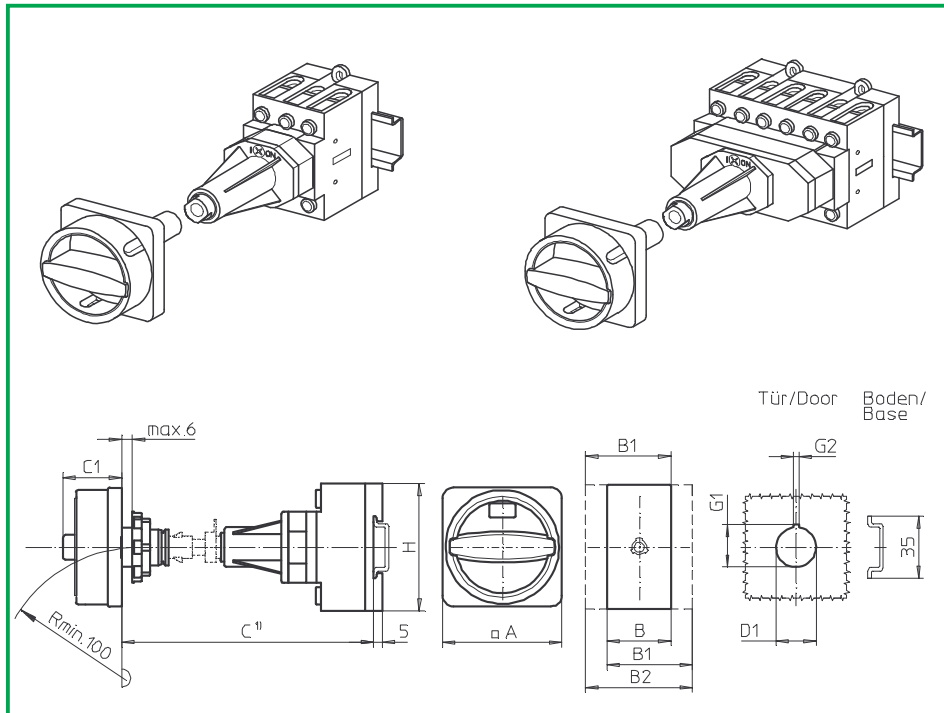
Complete switch	Poles	Product line	Rated data (IEC 60947)			Order code number
			Operational current I _e	Operational power at 380–440 V		
			AC-21A A	AC-23A kW	AC-3 kW	
Main Switches OFF position padlockable 09h	3 ... 8	H400-A/ -D	63	22	18,5	H406 - 41 ... - 280M1
			80	30	22	H408 - 41 ... - 280M1
			100	37	30	H410 - 41 ... - 280M1
			125	45	37	H412 - 41 ... - 280M1
Main/Emergency-Off Switches OFF position padlockable 09h	3 ... 8	H400-A/ -D	63	22	18,5	H406 - 41 ... - 280M4
			80	30	22	H408 - 41 ... - 280M4
			100	37	30	H410 - 41 ... - 280M4
			125	45	37	H412 - 41 ... - 280M4

SMD modules for basic switch A02		
Mounting form module for 280M.	H400-A/ -D	BFA4 - 280
M-padlock device 67 x 67 mm, mounting form 280M1 Escutcheon black, padlockable handle black		2GM1
M-padlock device 67 x 67 mm, mounting form 280M4 Escutcheon yellow, padlockable handle red		2GM4
Terminal cover, 3 pole	H400-A 1x / -D 2x	TCA4
Terminal cover, each additional single pole	H400-A/ -D	TCB4

Dimensions (mm)									
Product lines	A	B	B1	B2	C1	D1	G1	G2	H
H400-A	67	70	89	108	38	22,5	24,2	3,2	80
H400-D	67	140	159	178	38	22,5	24,2	3,2	80

Base Mounting Switches

sälzer



**Product lines
H400-A/ -D**

Base mounting switch

Door clutch

Metal shaft extension

Single hole mounting

ø 22,5 mm front

280N1 (IP66)

280N4 (IP66)

Complete switch	Poles	Product line	Rated data (IEC 60947)			Order code number
			Operational current I _e	Operational power at 380–440 V		
			AC-21A A	AC-23A kW	AC-3 kW	
Main Switches OFF position padlockable 09h	3 ... 8	H400-A/ -D	63	22	18,5	H406 - 41 ... - 280N1
			80	30	22	H408 - 41 ... - 280N1
			100	37	30	H410 - 41 ... - 280N1
			125	45	37	H412 - 41 ... - 280N1
Main/Emergency-Off Switches OFF position padlockable 09h	3 ... 8	H400-A/ -D	63	22	18,5	H406 - 41 ... - 280N4
			80	30	22	H408 - 41 ... - 280N4
			100	37	30	H410 - 41 ... - 280N4
			125	45	37	H412 - 41 ... - 280N4

SMD modules for basic switch A02

Mounting form module for 280N.

H400-A/ -D

BFA4 - 280

N-padlock device 67 x 67 mm, mounting form 280N1
Escutcheon black, padlockable handle black

2GN1

N-padlock device 67 x 67 mm, mounting form 280N4
Escutcheon yellow, padlockable handle red

2GN4

Terminal cover, 3 pole

H400-A 1x / -D 2x

TCA4

Terminal cover, each additional single pole

H400-A/ -D

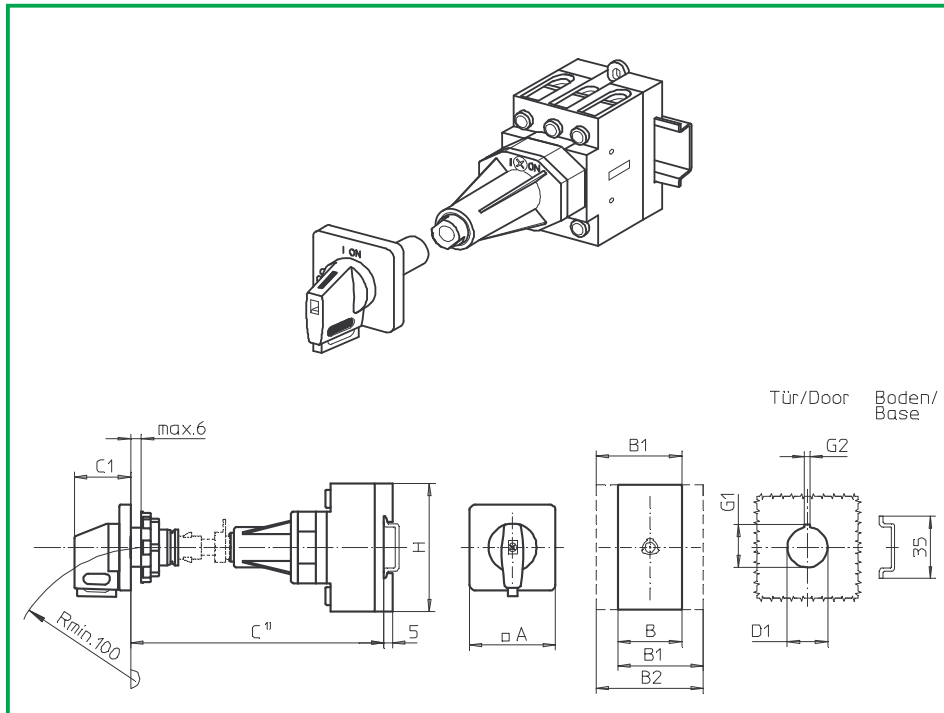
TCB4

Dimensions (mm)

Product lines	A	B	B1	B2	C1	D1	G1	G2	H
H400-A	67	70	89	108	33	22,5	24,2	3,2	80
H400-D	67	140	159	178	33	22,5	24,2	3,2	80

Base Mounting Switches

sälzer



Product lines
H400-A/ -D

Base mounting switch

Door clutch

Metal shaft extension

Single hole mounting

ø 22,5 mm front

280V1 (IP66)

280V4 (IP66)

Complete switch	Poles	Product line	Rated data (IEC 60947)			Order code number
			Operational current I _e	Operational power at 380–440 V		
			AC-21A A	AC-23A kW	AC-3 kW	
Main Switches OFF position padlockable 09h	3 ... 8	H400-A/ -D	63	22	18,5	H406 - 41 ... - 280V1
			80	30	22	H408 - 41 ... - 280V1
			100	37	30	H410 - 41 ... - 280V1
			125	45	37	H412 - 41 ... - 280V1
Main/Emergency-Off Switches OFF position padlockable 09h	3 ... 8	H400-A/ -D	63	22	18,5	H406 - 41 ... - 280V4
			80	30	22	H408 - 41 ... - 280V4
			100	37	30	H410 - 41 ... - 280V4
			125	45	37	H412 - 41 ... - 280V4

SMD modules for basic switch A02

Mounting form module for 280V.

V-operator module 64 x 64 mm, mounting form 280V1

Escutcheon black, handle black

Legend plate silver, operator module 280V1

V-operator module 64 x 64 mm, mounting form 280V4

Escutcheon black, handle red

Legend plate yellow, operator module 280V4

Terminal cover, 3 pole

Terminal cover, each additional single pole

H400-A/ -D

BFA4 - 280

2NV1 - 09

FAS4 - 9078

2NV4 - 09

FBS4 - 9078

H400-A 1x / -D 2x

H400-A/ -D

TCA4

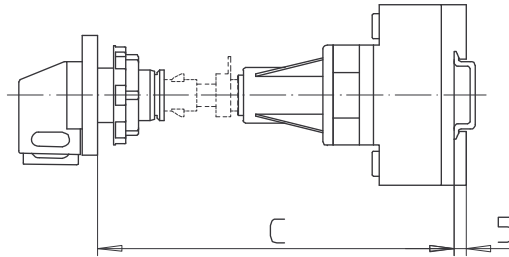
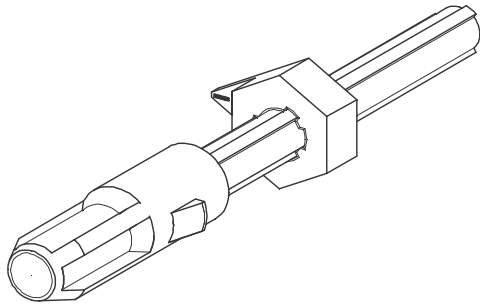
TCB4

Dimensions (mm)

Product lines	A	B	B1	B2	C1	D1	G1	G2	H
H400-A	64	70	89	108	39	22,5	24,2	3,2	80
H400-D	64	140	159	178	39	22,5	24,2	3,2	80

Metal shaft extension

sälzer



Product lines
H400-A/ -D/ -E

Base mounting
switch

Door clutch
Metal shaft extension

Single hole mounting
ø 22,5 mm front

AVA8 - . . .

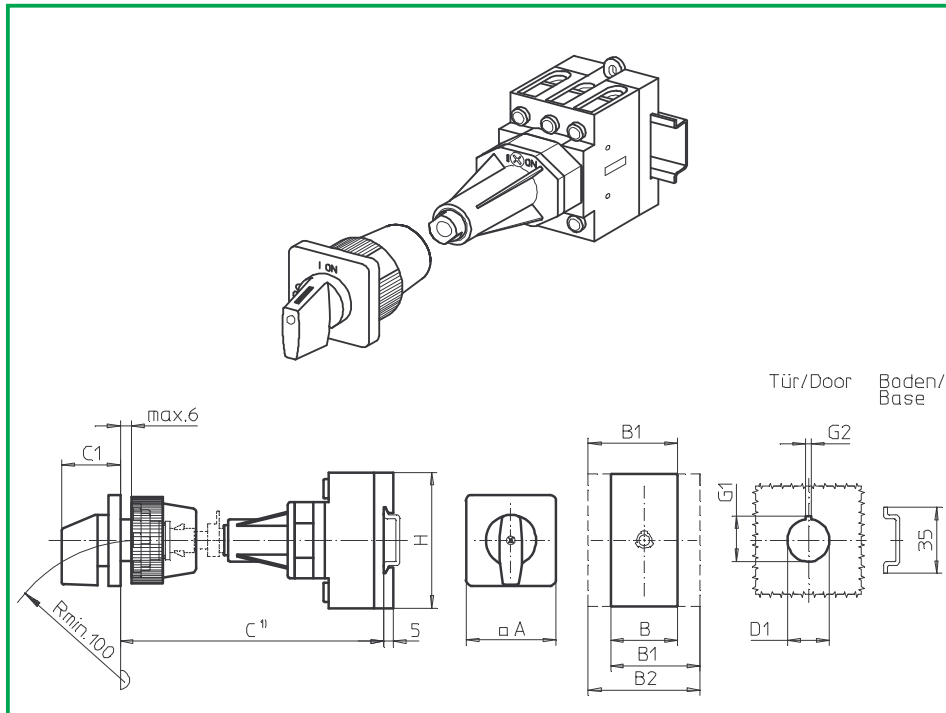
Metal shaft extension for mounting forms with door clutch and single hole mounting ø 22,5 mm front

Dimension C (internal depth, outside of door to top of DIN rail)

H400-A	H400-D/E	Order code number
165 ... 183 mm	177 ... 195 mm	AVA8 - 065
184 ... 208 mm	196 ... 220 mm	AVA8 - 090
209 ... 233 mm	221 ... 245 mm	AVA8 - 115
234 ... 258 mm	246 ... 270 mm	AVA8 - 140
259 ... 283 mm	271 ... 295 mm	AVA8 - 165
284 ... 308 mm	296 ... 320 mm	AVA8 - 190
309 ... 333 mm	321 ... 345 mm	AVA8 - 215
334 ... 358 mm	346 ... 370 mm	AVA8 - 240
359 ... 383 mm	371 ... 395 mm	AVA8 - 265
384 ... 408 mm	396 ... 420 mm	AVA8 - 290
409 ... 433 mm	421 ... 445 mm	AVA8 - 315
434 ... 458 mm	446 ... 470 mm	AVA8 - 340
459 ... 483 mm	471 ... 495 mm	AVA8 - 365
484 ... 508 mm	496 ... 520 mm	AVA8 - 390
509 ... 533 mm	521 ... 545 mm	AVA8 - 415
534 ... 558 mm	546 ... 570 mm	AVA8 - 440
559 ... 583 mm	571 ... 595 mm	AVA8 - 465
584 ... 608 mm	596 ... 620 mm	AVA8 - 490
609 ... 633 mm	621 ... 645 mm	AVA8 - 515
634 ... 658 mm	646 ... 670 mm	AVA8 - 540

Base Mounting Switches

sälzer



Product lines
H400-A/ -D/ -E

Base mounting switch

Door interlock
Metal shaft extension

Single hole mounting
ø 22,5 mm front

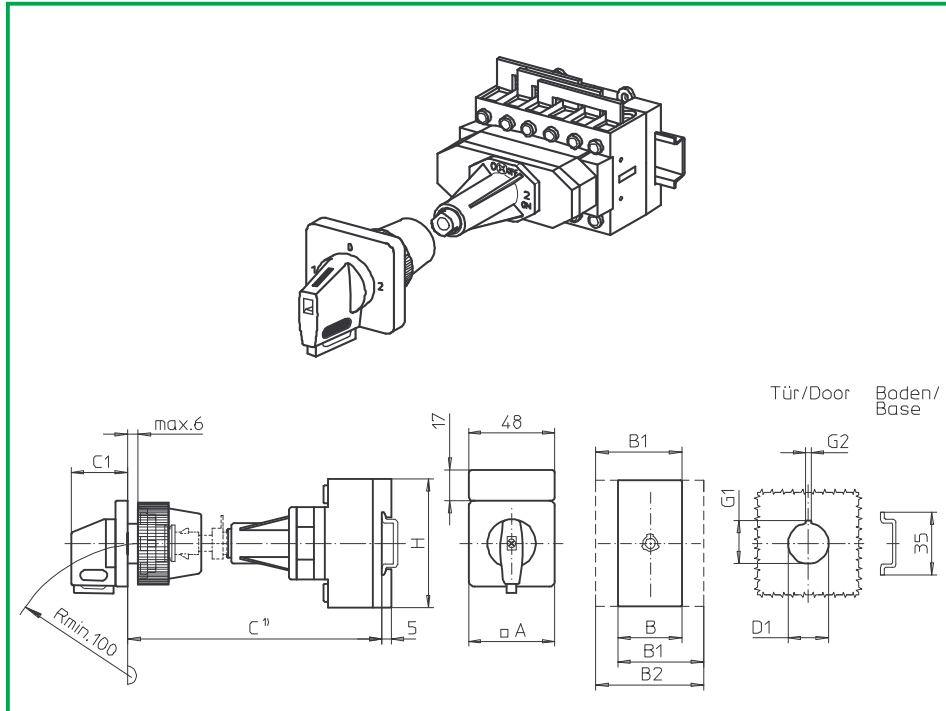
283M1 (IP66)

Complete switch	Poles	Product line	Rated data (IEC 60947)			Order code number
			Operational current I _e	Operational power at 380–440 V		
			AC-21A A	AC-23A kW	AC-3 kW	
ON-OFF Switches Switching angle 90°	3 ... 8	H400-A/ -D	63	22	18,5	H406 - 41 ... - 283M1
			80	30	22	H408 - 41 ... - 283M1
			100	37	30	H410 - 41 ... - 283M1
			125	45	37	H412 - 41 ... - 283M1
Changeover with OFF Switching angle 90°	3 ... 84	H400-E	63	22	18,5	H406 - 71 ... - 283M1
			80	30	22	H408 - 71 ... - 283M1
			100	37	30	H410 - 71 ... - 283M1
			125	45	37	H412 - 71 ... - 283M1

SMD modules for basic switch A02		
Mounting form module for 283M1	H400-A/ -D H400-E	BFA4 - 281 BFB4 - 281
M-operator module 64 x 64 mm, mounting form 283M1 Escutcheon black, handle black	H400-A/ -D H400-E	2NM1 2IM1
Legend plate silver, operator module 283M1		FAS4 - 9... (FA number)

Dimensions (mm)									
Product lines	A	B	B1	B2	C1	D1	G1	G2	H
H400-A	64	70	89	108	39	22,5	24,2	3,2	80
H400-D/ -E	64	140	159	178	39	22,5	24,2	3,2	80

Base Mounting Switches



Product line
H400-E

Base mounting switch

Door interlock
Metal shaft extension

Single hole mounting
ø 22,5 mm front

283V1 (IP66)
293V1 (IP66)

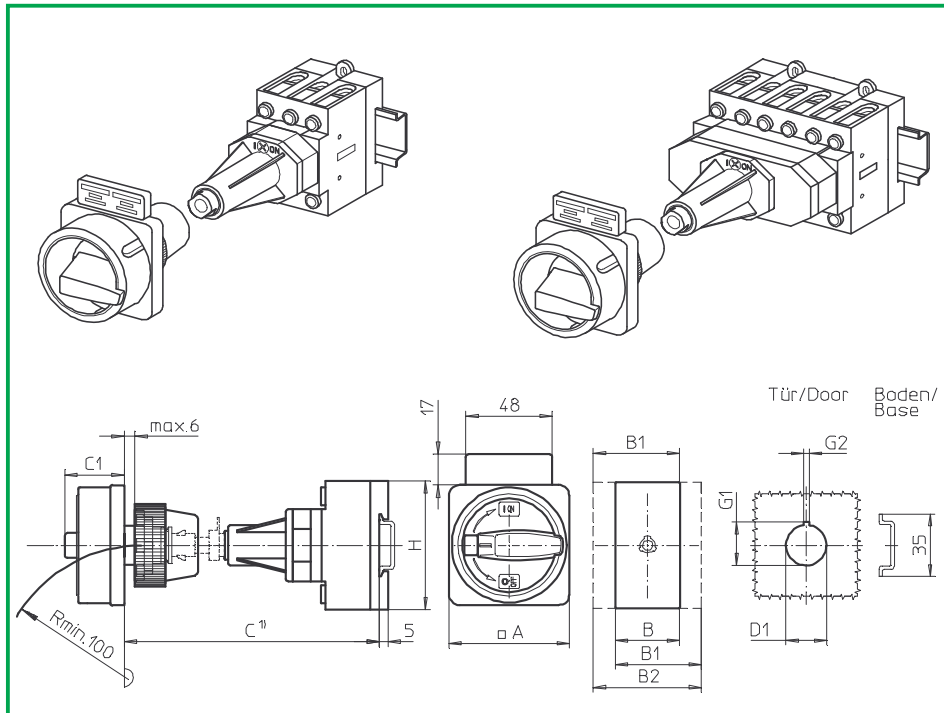
Complete switch	Poles	Product line	Rated data (IEC 60947)			Order code number
			Operational current I _e	Operational power at 380–440 V		
			AC-21A A	AC-23A kW	AC-3 kW	
Changeover with OFF Switching angle 90° OFF position padlockable 12h	3 ... 4	H400-E	63	22	18,5	H406 - 71 ... - 283V1
			80	30	22	H408 - 71 ... - 283V1
			100	37	30	H410 - 71 ... - 283V1
			125	45	37	H412 - 71 ... - 283V1
Changeover with OFF Switching angle 90° 3 positions padlockable (09h/12h/03h)	3 ... 4	H400-E	63	22	18,5	H406 - 71 ... - 293V1
			80	30	22	H408 - 71 ... - 293V1
			100	37	30	H410 - 71 ... - 293V1
			125	45	37	H412 - 71 ... - 293V1

SMD modules for basic switch A02		
Mounting form module for 283V1/ 293V1	H400-E	BFB4 - 281
V-operator module 64 x 64 mm, mounting form 283V1 Escutcheon black, handle black		2IV1 - 12
V-operator module 64 x 64 mm, mounting form 293V1 Escutcheon black, handle black		2IV1 - 99
Legend plate silver, operator module 283V1/ 293V1		FAS4 - 9... (FA number)

Dimensions (mm)									
Product line	A	B	B1	B2	C1	D1	G1	G2	H
H400-E	64	140	159	178	39	22,5	24,2	3,2	80

Base Mounting Switches

sälzer



Product lines
H400-A/ -D

Base mounting switch

Door interlock
Metal shaft extension

Single hole mounting
ø 22,5 mm front

281M1 (IP66)
281M4 (IP66)

Complete switch	Poles	Product line	Rated data (IEC 60947)			Order code number
			Operational current I _e	Operational power at 380–440 V		
			AC-21A A	AC-23A kW	AC-3 kW	
Main Switches OFF position padlockable 09h	3 ... 8	H400-A/ -D	63	22	18,5	H406 - 41 ... - 281M1
			80	30	22	H408 - 41 ... - 281M1
			100	37	30	H410 - 41 ... - 281M1
			125	45	37	H412 - 41 ... - 281M1
Main/Emergency-Off Switches OFF position padlockable 09h	3 ... 8	H400-A/ -D	63	22	18,5	H406 - 41 ... - 281M4
			80	30	22	H408 - 41 ... - 281M4
			100	37	30	H410 - 41 ... - 281M4
			125	45	37	H412 - 41 ... - 281M4

SMD modules for basic switch A02

Mounting form module for 281M.

H400-A/ -D

BFA4 - 281

M-padlock device 67 x 67 mm, mounting form 281M1
Escutcheon black, padlockable handle black

2GM1

M-padlock device 67 x 67 mm, mounting form 281M4
Escutcheon yellow, padlockable handle red

2GM4

Additional top escutcheon plate

FAZ2 - 8041

Terminal cover, 3 pole

H400-A 1x / -D 2x

TCA4

Terminal cover, each additional single pole

H400-A/ -D

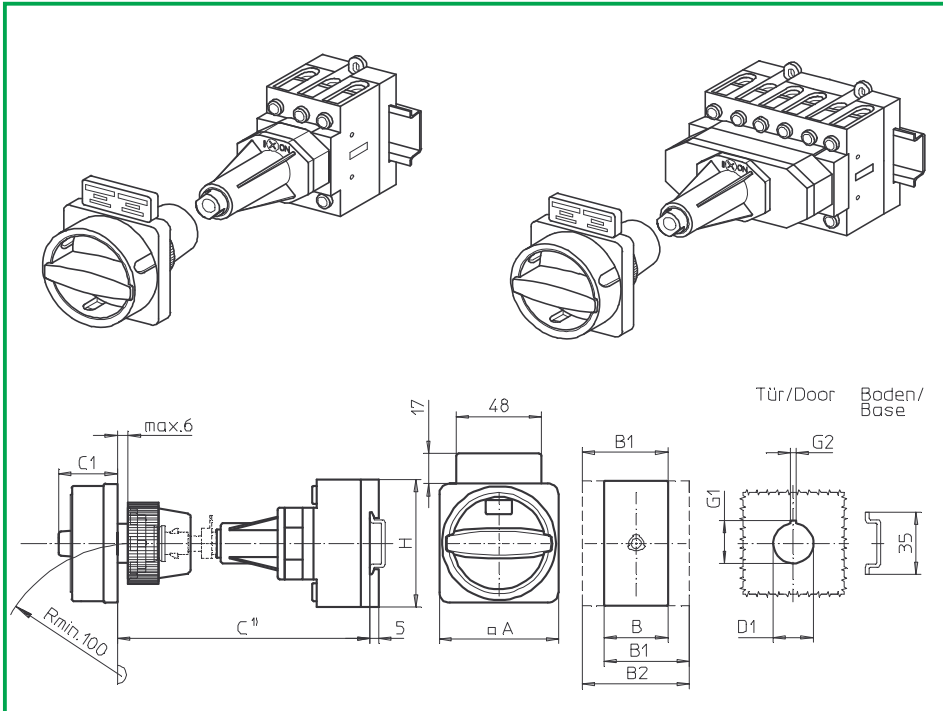
TCB4

Dimensions (mm)

Product lines	A	B	B1	B2	C1	D1	G1	G2	H
H400-A	67	70	89	108	38	22,5	24,2	3,2	80
H400-D	67	140	159	178	38	22,5	24,2	3,2	80

Base Mounting Switches

sälzer



Product lines
H400-A/ -D

Base mounting switch

Door interlock

Metal shaft extension

Single hole mounting

ø 22,5 mm front

281N1 (IP66)

281N4 (IP66)

Complete switch	Poles	Product line	Rated data (IEC 60947)			Order code number
			Operational current I _e	Operational power at 380–440 V		
			AC-21A A	AC-23A kW	AC-3 kW	
Main Switches OFF position padlockable 09h	3 ... 8	H400-A/ -D	63	22	18,5	H406 - 41 ... - 281N1
			80	30	22	H408 - 41 ... - 281N1
			100	37	30	H410 - 41 ... - 281N1
			125	45	37	H412 - 41 ... - 281N1
Main/Emergency-Off Switches OFF position padlockable 09h	3 ... 8	H400-A/ -D	63	22	18,5	H406 - 41 ... - 281N4
			80	30	22	H408 - 41 ... - 281N4
			100	37	30	H410 - 41 ... - 281N4
			125	45	37	H412 - 41 ... - 281N4

SMD modules for basic switch A02

Mounting form module for 281N.

H400-A/ -D

BFA4 - 281

N-padlock device 67 x 67 mm, mounting form 281N1
Escutcheon black, padlockable handle black

2GN1

N-padlock device 67 x 67 mm, mounting form 281N4
Escutcheon yellow, padlockable handle red

2GN4

Additional top escutcheon plate

FAZ2 - 8041

Terminal cover, 3 pole

H400-A 1x / -D 2x

TCA4

Terminal cover, each additional single pole

H400-A/ -D

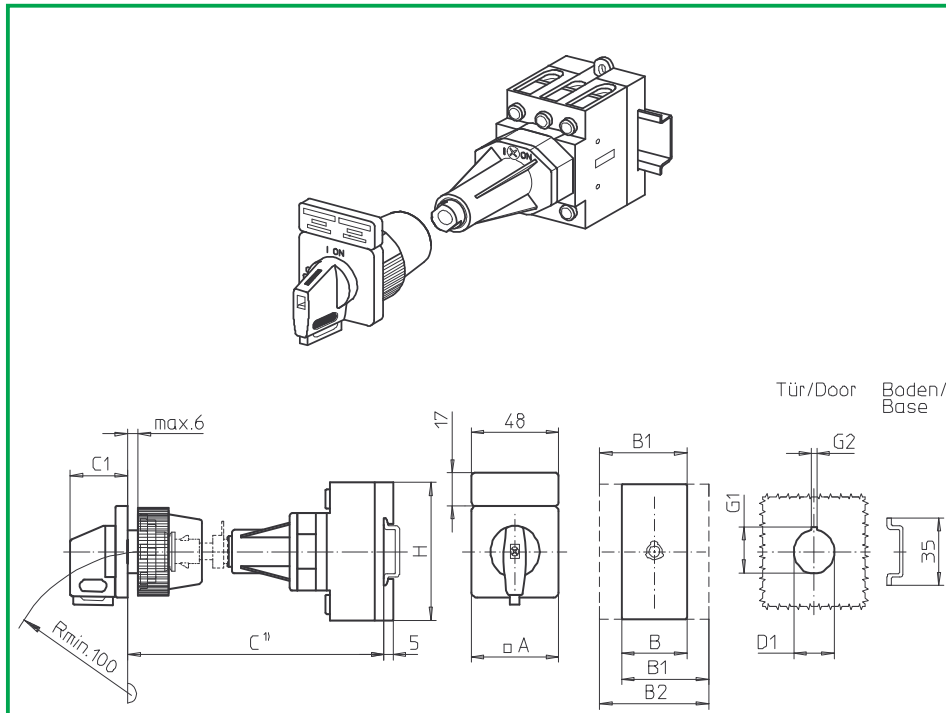
TCB4

Dimensions (mm)

Product lines	A	B	B1	B2	C1	D1	G1	G2	H
H400-A	67	70	89	108	33	22,5	24,2	3,2	80
H400-D	67	140	159	178	33	22,5	24,2	3,2	80

Base Mounting Switches

sälzer



Product lines
H400-A/ -D

Base mounting switch

Door interlock
Metal shaft extension

Single hole mounting
ø 22,5 mm front

281V1 (IP66)
281V4 (IP66)

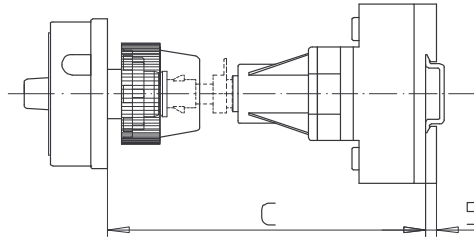
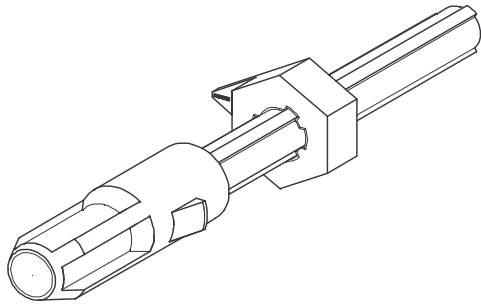
Complete switch	Poles	Product line	Rated data (IEC 60947)			Order code number
			Operational current I _e	Operational power at 380–440 V		
			AC-21A A	AC-23A kW	AC-3 kW	
Main Switches OFF position padlockable 09h	3 ... 8	H400-A/ -D	63	22	18,5	H406 - 41 ... - 281V1
			80	30	22	H408 - 41 ... - 281V1
			100	37	30	H410 - 41 ... - 281V1
			125	45	37	H412 - 41 ... - 281V1
Main/Emergency-Off Switches OFF position padlockable 09h	3 ... 8	H400-A/ -D	63	22	18,5	H406 - 41 ... - 281V4
			80	30	22	H408 - 41 ... - 281V4
			100	37	30	H410 - 41 ... - 281V4
			125	45	37	H412 - 41 ... - 281V4

SMD modules for basic switch A02	Product line	Order code number
Mounting form module for 281V.	H400-A/ -D	BFA4 - 281
V-operator module 64 x 64 mm, mounting form 281V1 Escutcheon black, handle black		2NV1 - 09
Legend plate silver, operator module 281V1		FAS4 - 9078
V-operator module 64 x 64 mm, mounting form 281V4 Escutcheon black, handle red		2NV4 - 09
Legend plate yellow, operator module 281V4		FBS4 - 9078
Additional top escutcheon plate		FAZ2 - 8041
Terminal cover, 3 pole	H400-A 1x / -D 2x	TCA4
Terminal cover, each additional single pole	H400-A/ -D	TCB4

Dimensions (mm)									
Product lines	A	B	B1	B2	C1	D1	G1	G2	H
H400-A	64	70	89	108	39	22,5	24,2	3,2	80
H400-D	64	140	159	178	39	22,5	24,2	3,2	80

Metal shaft extension

sälzer



Product lines
H400-A/ -D/ -E

Base mounting
switch

Door interlock
Metal shaft extension

Single hole mounting
ø 22,5 mm front

AVA8 - . . .

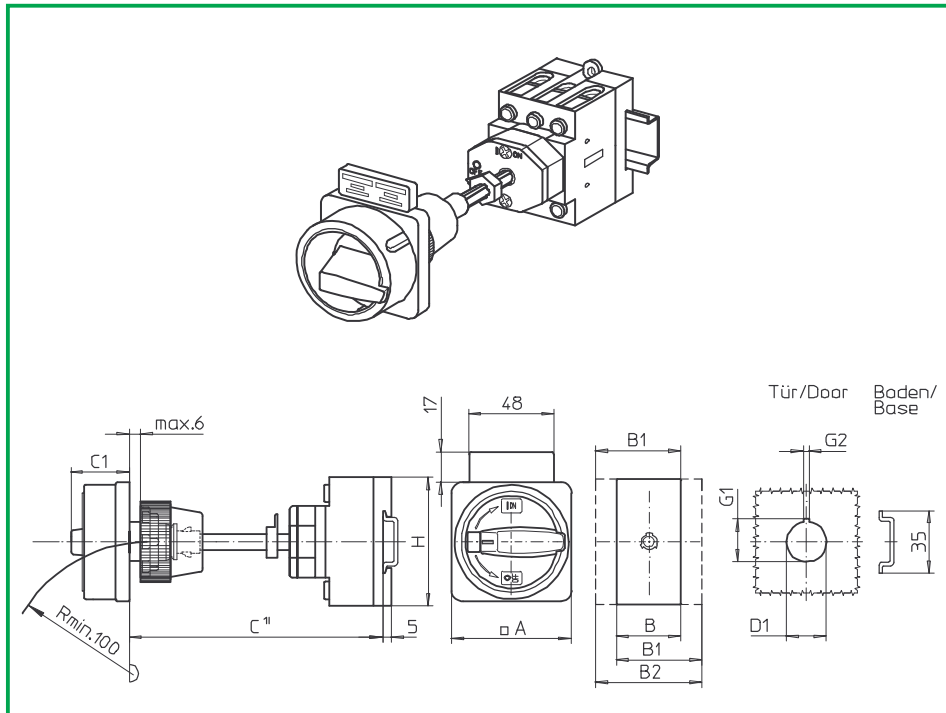
Metal shaft extension for mounting forms with door interlock and single hole mounting ø 22,5 mm front

Dimension C (internal depth, outside of door to top of DIN rail)

H400-A	H400-D/ -E	Order code number
165 ... 183 mm	177 ... 195 mm	AVA8 - 065
184 ... 208 mm	196 ... 220 mm	AVA8 - 090
209 ... 233 mm	221 ... 245 mm	AVA8 - 115
234 ... 258 mm	246 ... 270 mm	AVA8 - 140
259 ... 283 mm	271 ... 295 mm	AVA8 - 165
284 ... 308 mm	296 ... 320 mm	AVA8 - 190
309 ... 333 mm	321 ... 345 mm	AVA8 - 215
334 ... 358 mm	346 ... 370 mm	AVA8 - 240
359 ... 383 mm	371 ... 395 mm	AVA8 - 265
384 ... 408 mm	396 ... 420 mm	AVA8 - 290
409 ... 433 mm	421 ... 445 mm	AVA8 - 315
434 ... 458 mm	446 ... 470 mm	AVA8 - 340
459 ... 483 mm	471 ... 495 mm	AVA8 - 365
484 ... 508 mm	496 ... 520 mm	AVA8 - 390
509 ... 533 mm	521 ... 545 mm	AVA8 - 415
534 ... 558 mm	546 ... 570 mm	AVA8 - 440
559 ... 583 mm	571 ... 595 mm	AVA8 - 465
584 ... 608 mm	596 ... 620 mm	AVA8 - 490
609 ... 633 mm	621 ... 645 mm	AVA8 - 515
634 ... 658 mm	646 ... 670 mm	AVA8 - 540

Base Mounting Switches

sälzer



**Product lines
H400-A**

Base mounting switch

Door interlock

Metal shaft extension with fixed metal shaft, C = 115 mm

Single hole mounting

ø 22,5 mm front

312M1 (IP66)

312M4 (IP66)

Complete switch	Poles	Product line	Rated data (IEC 60947)			Order code number
			Operational current I _e	Operational power at 380–440 V		
			AC-21A A	AC-23A kW	AC-3 kW	
Main Switches OFF position padlockable 09h	3 ... 4	H400-A	63	22	18,5	H406 - 41 ... - 312M1
			80	30	22	H408 - 41 ... - 312M1
			100	37	30	H410 - 41 ... - 312M1
			125	45	37	H412 - 41 ... - 312M1
Main/Emergency-Off Switches OFF position padlockable 09h	3 ... 4	H400-A	63	22	18,5	H406 - 41 ... - 312M4
			80	30	22	H408 - 41 ... - 312M4
			100	37	30	H410 - 41 ... - 312M4
			125	45	37	H412 - 41 ... - 312M4

SMD modules for basic switch A02

Mounting form module for 312M.	H400-A	BFA4 - 312 2GM1
M-padlock device 67 x 67 mm, mounting form 312M1 Escutcheon black, padlockable handle black		2GM4
M-padlock device 67 x 67 mm, mounting form 312M4 Escutcheon yellow, padlockable handle red		FAZ2 - 8041
Additional top escutcheon plate		TCA4
Terminal cover, 3 pole	H400-A 1x	TCB4
Terminal cover, each additional single pole	H400-A 1x	

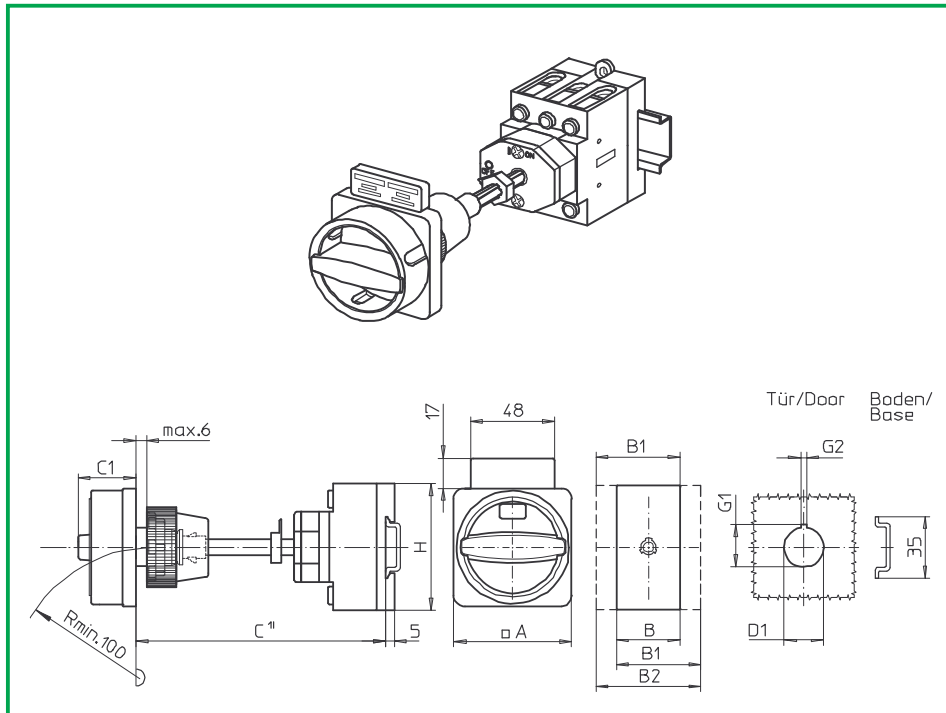
Dimensions (mm)

Product line	A	B	B1	B2	C	C1	D1	G1	G2	H
H400-A	67	70	89	108	115	38	22,5	24,2	3,2	80

C¹⁾ Internal depth, outside of door to top of DIN rail.

Base Mounting Switches

sälzer



**Product lines
H400-A**

Base mounting switch

Door interlock

Metal shaft extension with fixed metal shaft, C = 115 mm

Single hole mounting

∅ 22,5 mm front

312N1 (IP66)

312N4 (IP66)

Complete switch	Poles	Product line	Rated data (IEC 60947)			Order code number
			Operational current I _e	Operational power at 380–440 V		
			AC-21A A	AC-23A kW	AC-3 kW	
Main Switches OFF position padlockable 09h	3 ... 4	H400-A	63	22	18,5	H406 - 41 ... - 312N1
			80	30	22	H408 - 41 ... - 312N1
			100	37	30	H410 - 41 ... - 312N1
			125	45	37	H412 - 41 ... - 312N1
Main/Emergency-Off Switches OFF position padlockable 09h	3 ... 4	H400-A	63	22	18,5	H406 - 41 ... - 312N4
			80	30	22	H408 - 41 ... - 312N4
			100	37	30	H410 - 41 ... - 312N4
			125	45	37	H412 - 41 ... - 312N4

SMD modules for basic switch A02

Mounting form module for 312N.

H400-A

BFA4 - 312

N-padlock device 67 x 67 mm, mounting form 312N1
Escutcheon black, padlockable handle black

2GN1

N-padlock device 67 x 67 mm, mounting form 312N4
Escutcheon yellow, padlockable handle red

2GN4

Additional top escutcheon plate

FAZ2 - 8041

Terminal cover, 3 pole

H400-A 1x

TCA4

Terminal cover, each additional single pole

H400-A 1x

TCB4

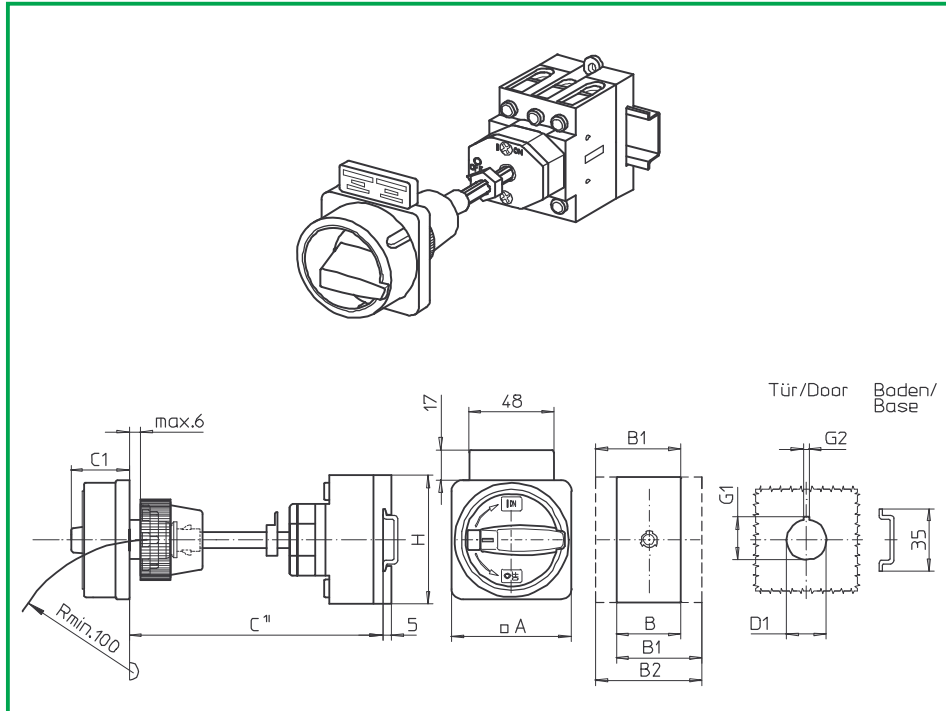
Dimensions (mm)

Product line	A	B	B1	B2	C	C1	D1	G1	G2	H
H400-A	67	70	89	108	115	33	22,5	24,2	3,2	80

C¹⁾ Internal depth, outside of door to top of DIN rail.

Base Mounting Switches

sälzer



**Product lines
H400-A**

Base mounting switch

Door interlock

Metal shaft extension with fixed metal shaft, C = 120 mm

Single hole mounting

∅ 22,5 mm front

313M1 (IP66)

313M4 (IP66)

Complete switch	Poles	Product line	Rated data (IEC 60947)			Order code number
			Operational current I _e	Operational power at 380–440 V		
			AC-21A A	AC-23A kW	AC-3 kW	
Main Switches OFF position padlockable 09h	3 ... 4	H400-A	63	22	18,5	H406 - 41 ... - 313M1
			80	30	22	H408 - 41 ... - 313M1
			100	37	30	H410 - 41 ... - 313M1
			125	45	37	H412 - 41 ... - 313M1
Main/Emergency-Off Switches OFF position padlockable 09h	3 ... 4	H400-A	63	22	18,5	H406 - 41 ... - 313M4
			80	30	22	H408 - 41 ... - 313M4
			100	37	30	H410 - 41 ... - 313M4
			125	45	37	H412 - 41 ... - 313M4

SMD modules for basic switch A02

Mounting form module for 313M.

H400-A

BFA4 - 313

M-padlock device 67 x 67 mm, mounting form 313M1
Escutcheon black, padlockable handle black

2GM1

M-padlock device 67 x 67 mm, mounting form 313M4
Escutcheon yellow, padlockable handle red

2GM4

Additional top escutcheon plate

FAZ2 - 8041

Terminal cover, 3 pole

H400-A 1x

TCA4

Terminal cover, each additional single pole

H400-A 1x

TCB4

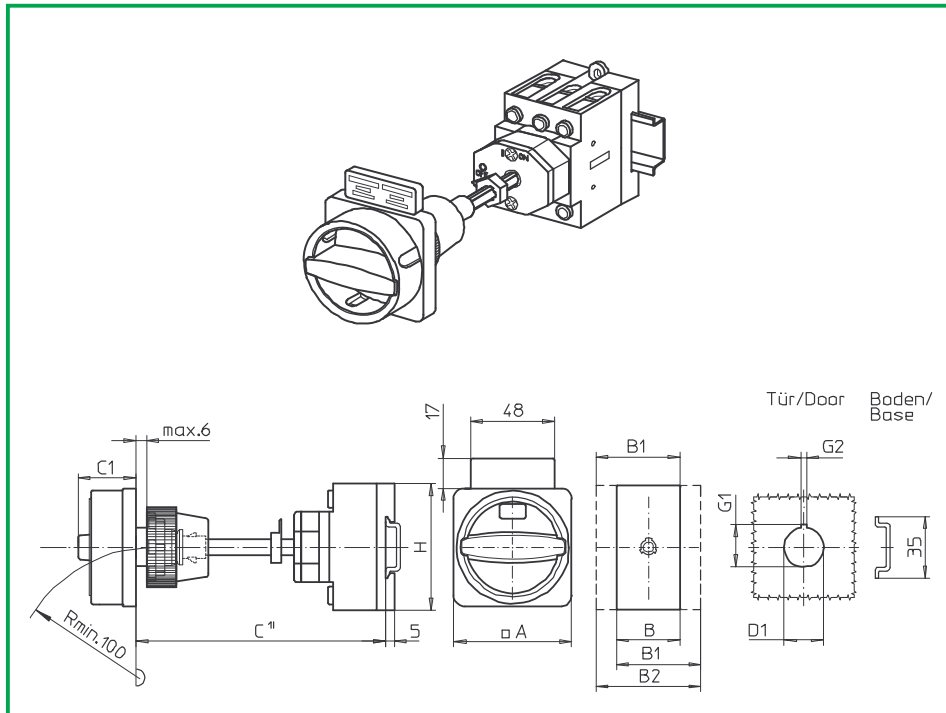
Dimensions (mm)

Product line	A	B	B1	B2	C	C1	D1	G1	G2	H
H400-A	67	70	89	108	120	38	22,5	24,2	3,2	80

C¹⁾ Internal depth, outside of door to top of DIN rail.

Base Mounting Switches

sälzer



**Product lines
H400-A**

Base mounting switch

Door interlock

Metal shaft extension with fixed metal shaft, C = 120 mm

Single hole mounting

ø 22,5 mm front

313N1 (IP66)

313N4 (IP66)

Complete switch	Poles	Product line	Rated data (IEC 60947)			Order code number
			Operational current I _e	Operational power at 380–440 V		
			AC-21A A	AC-23A kW	AC-3 kW	
Main Switches OFF position padlockable 09h	3 ... 4	H400-A	63	22	18,5	H406 - 41 ... - 313N1
			80	30	22	H408 - 41 ... - 313N1
			100	37	30	H410 - 41 ... - 313N1
			125	45	37	H412 - 41 ... - 313N1
Main/Emergency-Off Switches OFF position padlockable 09h	3 ... 4	H400-A	63	22	18,5	H406 - 41 ... - 313N4
			80	30	22	H408 - 41 ... - 313N4
			100	37	30	H410 - 41 ... - 313N4
			125	45	37	H412 - 41 ... - 313N4

SMD modules for basic switch A02

Mounting form module for 313N.

H400-A

BFA4 - 313

N-padlock device 67 x 67 mm, mounting form 313N1
Escutcheon black, padlockable handle black

2GN1

N-padlock device 67 x 67 mm, mounting form 313N4
Escutcheon yellow, padlockable handle red

2GN4

Additional top escutcheon plate

FAZ2 - 8041

Terminal cover, 3 pole

H400-A 1x

TCA4

Terminal cover, each additional single pole

H400-A 1x

TCB4

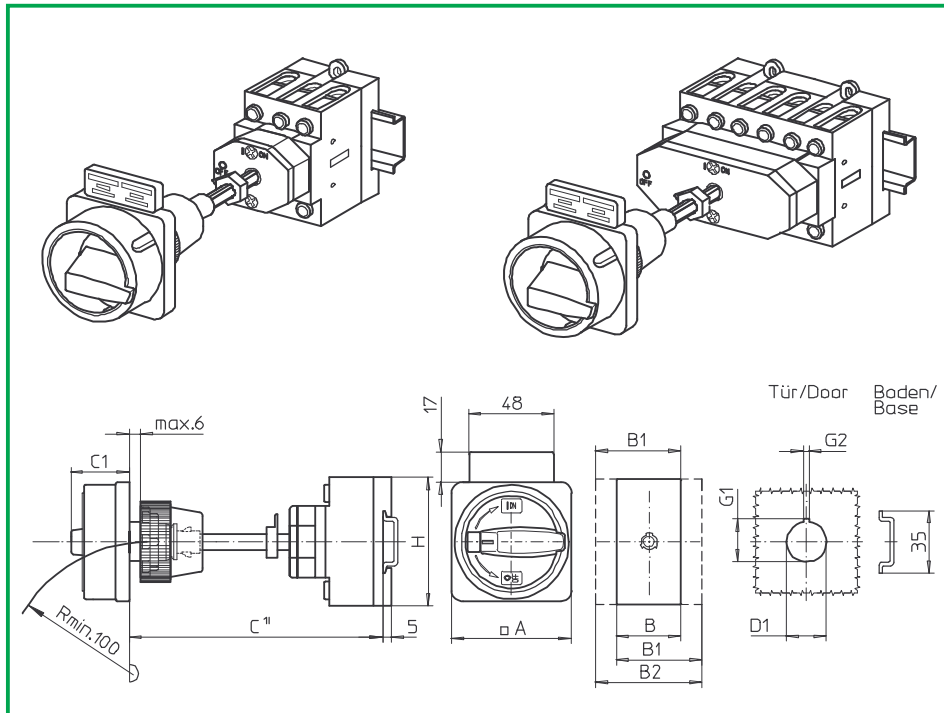
Dimensions (mm)

Product line	A	B	B1	B2	C	C1	D1	G1	G2	H
H400-A	67	70	89	108	120	33	22,5	24,2	3,2	80

C¹⁾ Internal depth, outside of door to top of DIN rail.

Base Mounting Switches

sälzer



Product lines
H400-A/ -D

Base mounting switch

Door interlock

Metal shaft extension with fixed metal shaft, C =125 mm

Single hole mounting

ø 22,5 mm front

314M1 (IP66)

314M4 (IP66)

Complete switch	Poles	Product line	Rated data (IEC 60947)			Order code number
			Operational current I _e	Operational power at 380–440 V		
			AC-21A A	AC-23A kW	AC-3 kW	
Main Switches OFF position padlockable 09h	3 ... 8	H400-A/ -D	63	22	18,5	H406 - 41 ... - 314M1
			80	30	22	H408 - 41 ... - 314M1
			100	37	30	H410 - 41 ... - 314M1
			125	45	37	H412 - 41 ... - 314M1
Main/Emergency-Off Switches OFF position padlockable 09h	3 ... 8	H400-A/ -D	63	22	18,5	H406 - 41 ... - 314M4
			80	30	22	H408 - 41 ... - 314M4
			100	37	30	H410 - 41 ... - 314M4
			125	45	37	H412 - 41 ... - 314M4

SMD modules for basic switch A02

Mounting form module for 314M.

H400-A
H400-D

BFA4 - 314
BFB4 - 314

M-padlock device 67 x 67 mm, mounting form 314M1
Escutcheon black, padlockable handle black

2GM1

M-padlock device 67 x 67 mm, mounting form 314M4
Escutcheon yellow, padlockable handle red

2GM4

Additional top escutcheon plate

FAZ2 - 8041

Terminal cover, 3 pole

H400-A 1x / -D 2x

TCA4

Terminal cover, each additional single pole

H400-A/ -D

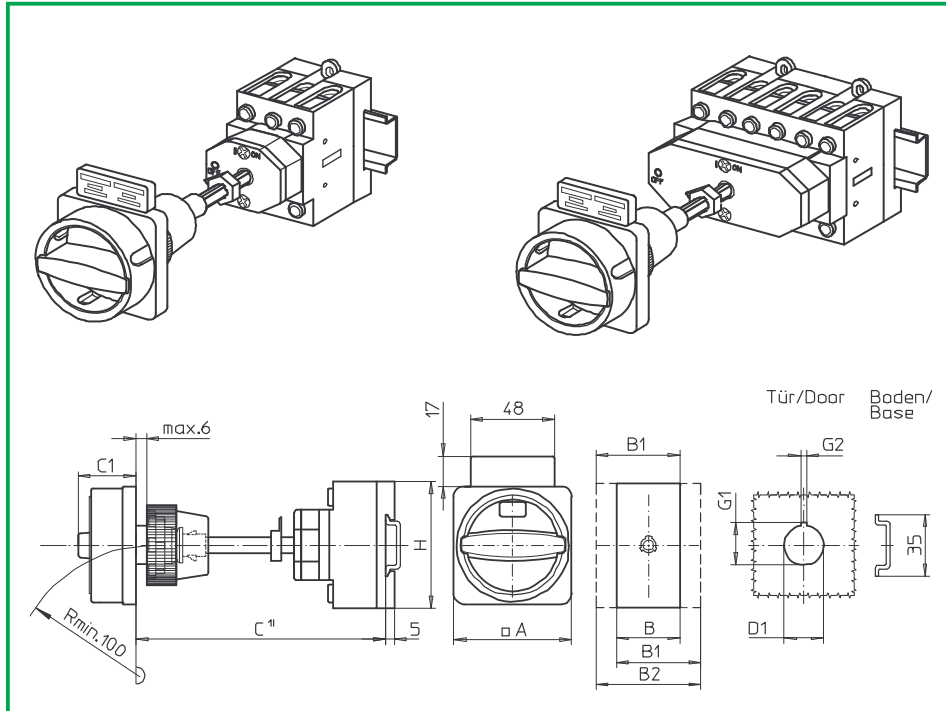
TCB4

Dimensions (mm)

Product lines	A	B	B1	B2	C	C1	D1	G1	G2	H
H400-A	67	70	89	108	125	38	22,5	24,2	3,2	80
H400-D	67	140	159	178	125	38	22,5	24,2	3,2	80

C¹⁾ Internal depth, outside of door to top of DIN rail.

Base Mounting Switches



Product lines
H400-A/ -D

Base mounting switch

Door interlock
Metal shaft extension with fixed metal shaft, C =125 mm

Single hole mounting
ø 22,5 mm front

314N1 (IP66)
314N4 (IP66)

Complete switch	Poles	Product line	Rated data (IEC 60947)			Order code number
			Operational current I _e	Operational power at 380–440 V		
			AC-21A A	AC-23A kW	AC-3 kW	
Main Switches OFF position padlockable 09h	3 ... 8	H400-A/ -D	63	22	18,5	H406 - 41 ... - 314N1
			80	30	22	H408 - 41 ... - 314N1
			100	37	30	H410 - 41 ... - 314N1
			125	45	37	H412 - 41 ... - 314N1
Main/Emergency-Off Switches OFF position padlockable 09h	3 ... 8	H400-A/ -D	63	22	18,5	H406 - 41 ... - 314N4
			80	30	22	H408 - 41 ... - 314N4
			100	37	30	H410 - 41 ... - 314N4
			125	45	37	H412 - 41 ... - 314N4

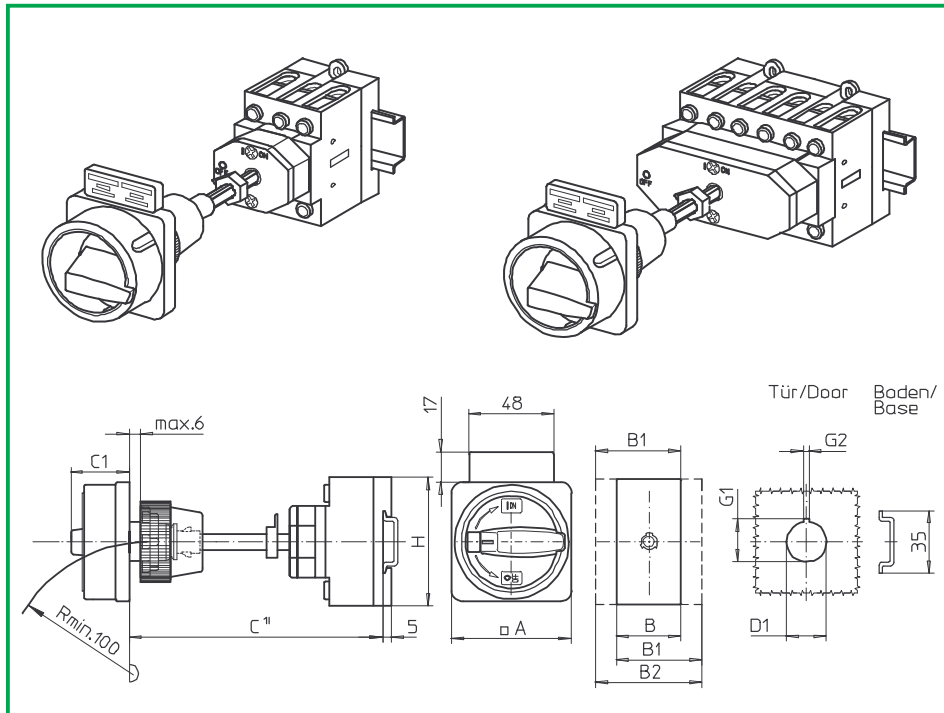
SMD modules for basic switch A02		
Mounting form module for 314N.	H400-A H400-D	BFA4 - 314 BFB4 - 314
N-padlock device 67 x 67 mm, mounting form 314N1 Escutcheon black, padlockable handle black		2GN1
N-padlock device 67 x 67 mm, mounting form 314N4 Escutcheon yellow, padlockable handle red		2GN4
Additional top escutcheon plate		FAZ2 - 8041
Terminal cover, 3 pole	H400-A 1x / -D 2x	TCA4
Terminal cover, each additional single pole	H400-A/ -D	TCB4

Dimensions (mm)										
Product lines	A	B	B1	B2	C	C1	D1	G1	G2	H
H400-A	67	70	89	108	125	33	22,5	24,2	3,2	80
H400-D	67	140	159	178	125	33	22,5	24,2	3,2	80

C¹⁾ Internal depth, outside of door to top of DIN rail.

Base Mounting Switches

sälzer



Product lines
H400-A/ -D

Base mounting switch

Door interlock

Metal shaft extension with fixed metal shaft, C = 130 mm

Single hole mounting

ø 22,5 mm front

315M1 (IP66)

315M4 (IP66)

Complete switch	Poles	Product line	Rated data (IEC 60947)			Order code number
			Operational current I _e	Operational power at 380–440 V		
			AC-21A A	AC-23A kW	AC-3 kW	
Main Switches OFF position padlockable 09h	3 ... 8	H400-A/ -D	63	22	18,5	H406 - 41 ... - 315M1
			80	30	22	H408 - 41 ... - 315M1
			100	37	30	H410 - 41 ... - 315M1
			125	45	37	H412 - 41 ... - 315M1
Main/Emergency-Off Switches OFF position padlockable 09h	3 ... 8	H400-A/ -D	63	22	18,5	H406 - 41 ... - 315M4
			80	30	22	H408 - 41 ... - 315M4
			100	37	30	H410 - 41 ... - 315M4
			125	45	37	H412 - 41 ... - 315M4

SMD modules for basic switch A02

Mounting form module for 315M.

H400-A
H400-D

BFA4 - 315
BFB4 - 315

M-padlock device 67 x 67 mm, mounting form 315M1
Escutcheon black, padlockable handle black

2GM1

M-padlock device 67 x 67 mm, mounting form 315M4
Escutcheon yellow, padlockable handle red

2GM4

Additional top escutcheon plate

FAZ2 - 8041

Terminal cover, 3 pole

H400-A 1x / -D 2x

TCA4

Terminal cover, each additional single pole

H400-A/ -D

TCB4

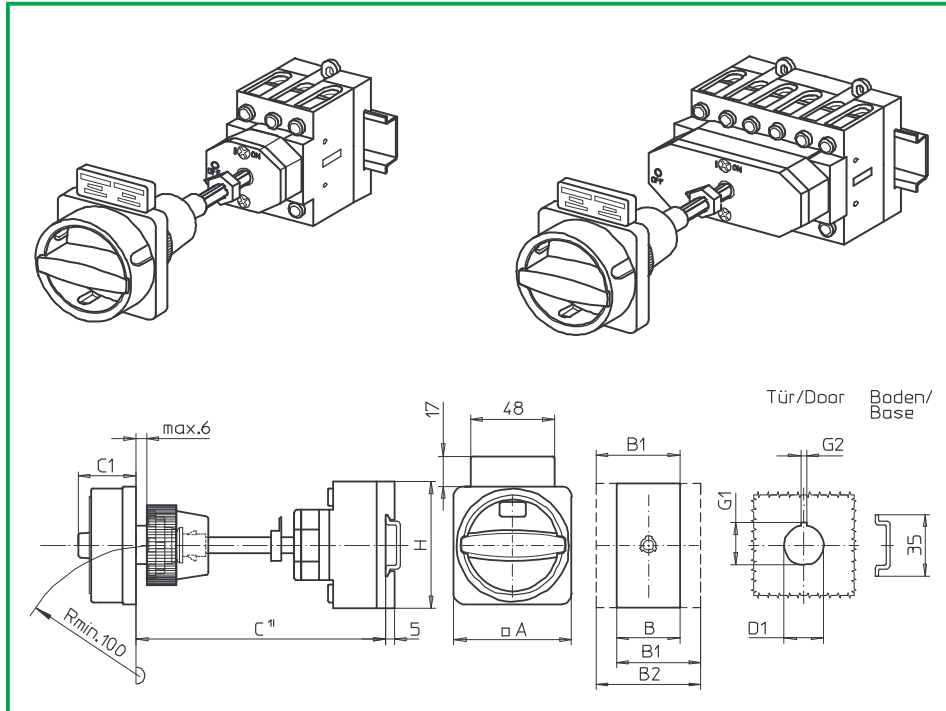
Dimensions (mm)

Product lines	A	B	B1	B2	C	C1	D1	G1	G2	H
H400-A	67	70	89	108	130	38	22,5	24,2	3,2	80
H400-D	67	140	159	178	130	38	22,5	24,2	3,2	80

C¹⁾ Internal depth, outside of door to top of DIN rail.

Base Mounting Switches

sälzer



Product lines
H400-A/ -D

Base mounting switch

Door interlock

Metal shaft extension with fixed metal shaft, C = 130 mm

Single hole mounting

ø 22,5 mm front

315N1 (IP66)

315N4 (IP66)

Complete switch	Poles	Product line	Rated data (IEC 60947)			Order code number
			Operational current I _e	Operational power at 380–440 V		
			AC-21A A	AC-23A kW	AC-3 kW	
Main Switches OFF position padlockable 09h	3 ... 8	H400-A/ -D	63	22	18,5	H406 - 41 ... - 315N1
			80	30	22	H408 - 41 ... - 315N1
			100	37	30	H410 - 41 ... - 315N1
			125	45	37	H412 - 41 ... - 315N1
Main/Emergency-Off Switches OFF position padlockable 09h	3 ... 8	H400-A/ -D	63	22	18,5	H406 - 41 ... - 315N4
			80	30	22	H408 - 41 ... - 315N4
			100	37	30	H410 - 41 ... - 315N4
			125	45	37	H412 - 41 ... - 315N4

SMD modules for basic switch A02

Mounting form module for 315N.

H400-A
H400-D

BFA4 - 315
BFB4 - 315

N-padlock device 67 x 67 mm, mounting form 315N1
Escutcheon black, padlockable handle black

2GN1

N-padlock device 67 x 67 mm, mounting form 315N4
Escutcheon yellow, padlockable handle red

2GN4

Additional top escutcheon plate

FAZ2 - 8041

Terminal cover, 3 pole

H400-A 1x / -D 2x

TCA4

Terminal cover, each additional single pole

H400-A/ -D

TCB4

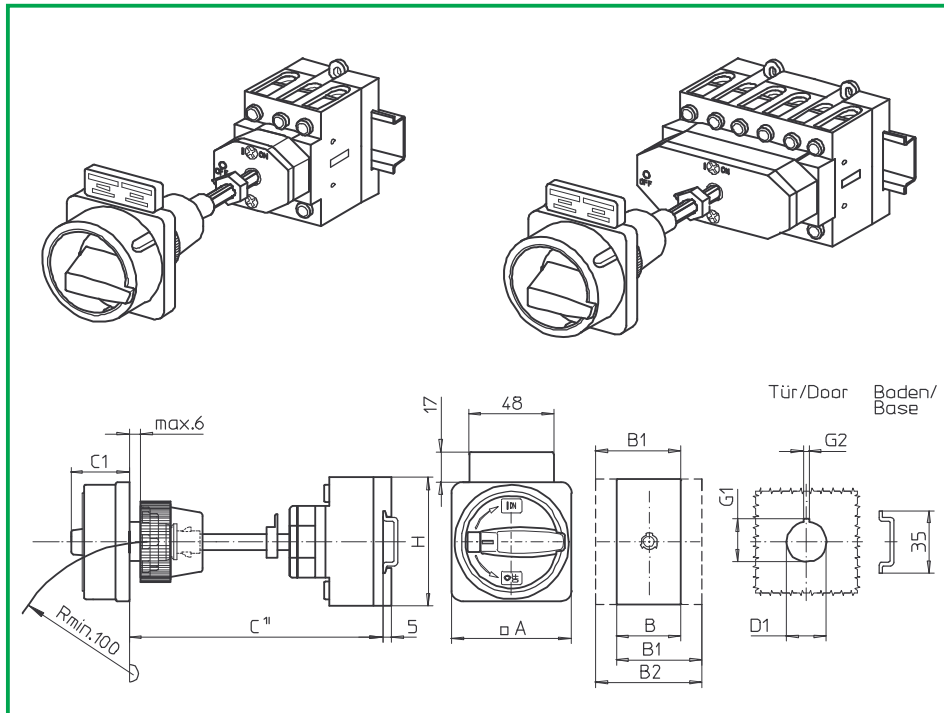
Dimensions (mm)

Product lines	A	B	B1	B2	C	C1	D1	G1	G2	H
H400-A	67	70	89	108	130	33	22,5	24,2	3,2	80
H400-D	67	140	159	178	130	33	22,5	24,2	3,2	80

C¹⁾ Internal depth, outside of door to top of DIN rail.

Base Mounting Switches

sälzer



Product lines
H400-A/ -D

Base mounting switch

Door interlock

Metal shaft extension with fixed metal shaft, C = 135 mm

Single hole mounting

ø 22,5 mm front

316M1 (IP66)

316M4 (IP66)

Complete switch	Poles	Product line	Rated data (IEC 60947)			Order code number
			Operational current I _e	Operational power at 380–440 V		
			AC-21A A	AC-23A kW	AC-3 kW	
Main Switches OFF position padlockable 09h	3 ... 8	H400-A/ -D	63	22	18,5	H406 - 41 ... - 316M1
			80	30	22	H408 - 41 ... - 316M1
			100	37	30	H410 - 41 ... - 316M1
			125	45	37	H412 - 41 ... - 316M1
Main/Emergency-Off Switches OFF position padlockable 09h	3 ... 8	H400-A/ -D	63	22	18,5	H406 - 41 ... - 316M4
			80	30	22	H408 - 41 ... - 316M4
			100	37	30	H410 - 41 ... - 316M4
			125	45	37	H412 - 41 ... - 316M4

SMD modules for basic switch A02

Mounting form module for 316M.

H400-A
H400-D

BFA4 - 316
BFB4 - 316

M-padlock device 67 x 67 mm, mounting form 316M1
Escutcheon black, padlockable handle black

2GM1

M-padlock device 67 x 67 mm, mounting form 316M4
Escutcheon yellow, padlockable handle red

2GM4

Additional top escutcheon plate

FAZ2 - 8041

Terminal cover, 3 pole

H400-A 1x / -D 2x

TCA4

Terminal cover, each additional single pole

H400-A/ -D

TCB4

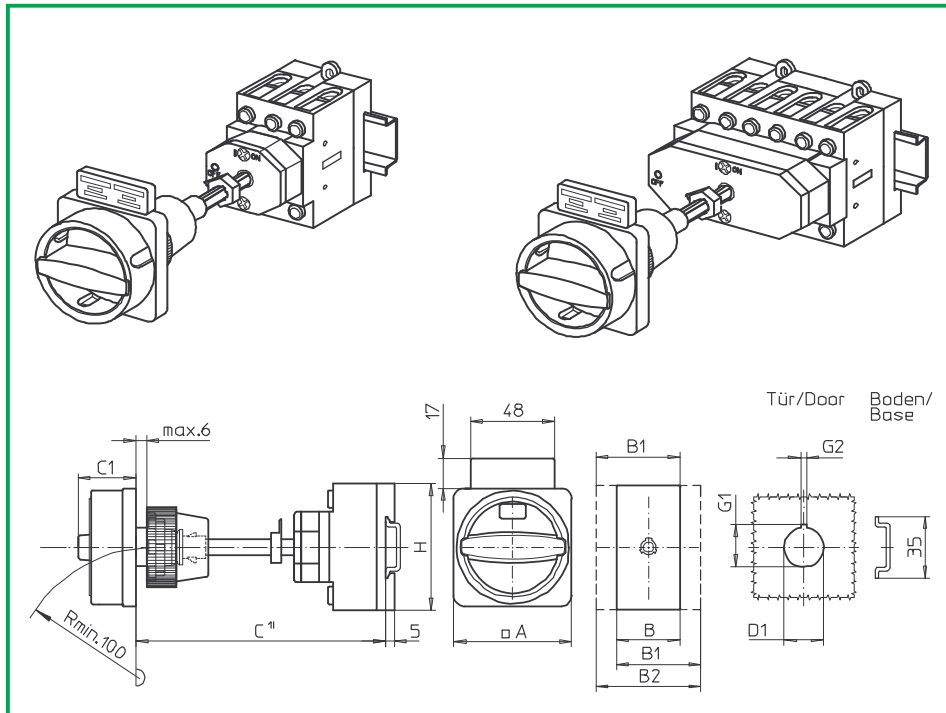
Dimensions (mm)

Product lines	A	B	B1	B2	C	C1	D1	G1	G2	H
H400-A	67	70	89	108	135	38	22,5	24,2	3,2	80
H400-D	67	140	159	178	135	38	22,5	24,2	3,2	80

C¹⁾ Internal depth, outside of door to top of DIN rail.

Base Mounting Switches

sälzer



Product lines
H400-A/ -D

Base mounting switch

Door interlock

Metal shaft extension with fixed metal shaft, C =135 mm

Single hole mounting

ø 22,5 mm front

316N1 (IP66)

316N4 (IP66)

Complete switch	Poles	Product line	Rated data (IEC 60947)			Order code number
			Operational current I _e	Operational power at 380–440 V		
			AC-21A A	AC-23A kW	AC-3 kW	
Main Switches OFF position padlockable 09h	3 ... 8	H400-A/ -D	63	22	18,5	H406 - 41 ... - 316N1
			80	30	22	H408 - 41 ... - 316N1
			100	37	30	H410 - 41 ... - 316N1
			125	45	37	H412 - 41 ... - 316N1
Main/Emergency-Off Switches OFF position padlockable 09h	3 ... 8	H400-A/ -D	63	22	18,5	H406 - 41 ... - 316N4
			80	30	22	H408 - 41 ... - 316N4
			100	37	30	H410 - 41 ... - 316N4
			125	45	37	H412 - 41 ... - 316N4

SMD modules for basic switch A02

Mounting form module for 316N.

H400-A
H400-D

BFA4 - 316
BFB4 - 316

N-padlock device 67 x 67 mm, mounting form 316N1
Escutcheon black, padlockable handle black

2GN1

N-padlock device 67 x 67 mm, mounting form 316N4
Escutcheon yellow, padlockable handle red

2GN4

Additional top escutcheon plate

FAZ2 - 8041

Terminal cover, 3 pole

H400-A 1x / -D 2x

TCA4

Terminal cover, each additional single pole

H400-A/ -D

TCB4

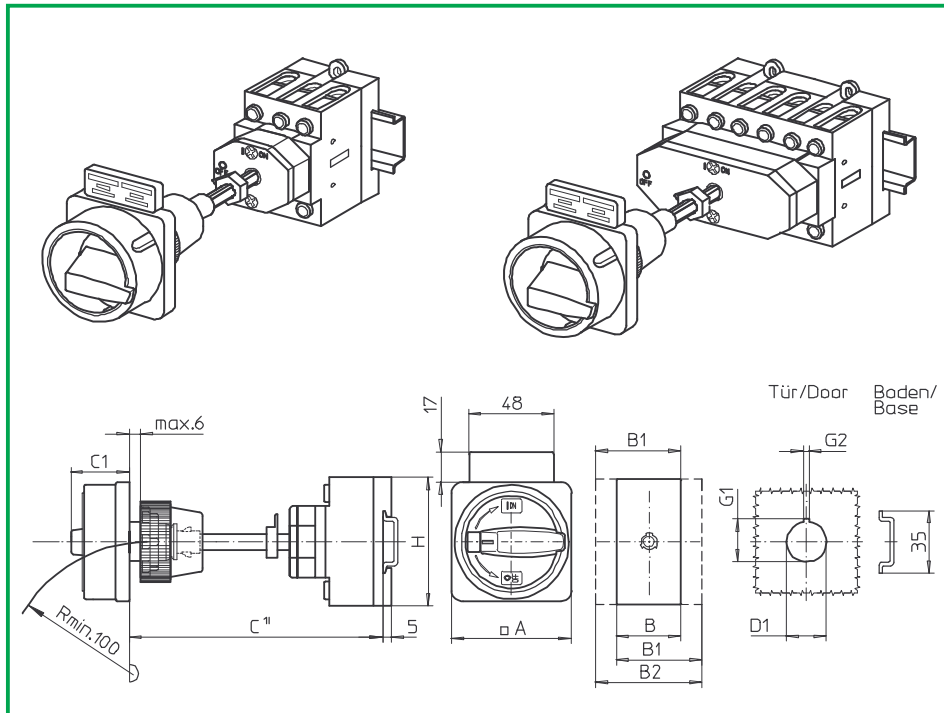
Dimensions (mm)

Product lines	A	B	B1	B2	C	C1	D1	G1	G2	H
H400-A	67	70	89	108	135	33	22,5	24,2	3,2	80
H400-D	67	140	159	178	135	33	22,5	24,2	3,2	80

C¹⁾ Internal depth, outside of door to top of DIN rail.

Base Mounting Switches

sälzer



Product lines
H400-A/ -D

Base mounting switch

Door interlock

Metal shaft extension with fixed metal shaft, C =140 mm

Single hole mounting

∅ 22,5 mm front

317M1 (IP66)

317M4 (IP66)

Complete switch	Poles	Product line	Rated data (IEC 60947)			Order code number
			Operational current I _e	Operational power at 380–440 V		
			AC-21A A	AC-23A kW	AC-3 kW	
Main Switches OFF position padlockable 09h	3 ... 8	H400-A/ -D	63	22	18,5	H406 - 41 ... - 317M1
			80	30	22	H408 - 41 ... - 317M1
			100	37	30	H410 - 41 ... - 317M1
			125	45	37	H412 - 41 ... - 317M1
Main/Emergency-Off Switches OFF position padlockable 09h	3 ... 8	H400-A/ -D	63	22	18,5	H406 - 41 ... - 317M4
			80	30	22	H408 - 41 ... - 317M4
			100	37	30	H410 - 41 ... - 317M4
			125	45	37	H412 - 41 ... - 317M4

SMD modules for basic switch A02

Mounting form module for 317M.

H400-A
H400-D

BFA4 - 317
BFB4 - 317

M-padlock device 67 x 67 mm, mounting form 317M1
Escutcheon black, padlockable handle black

2GM1

M-padlock device 67 x 67 mm, mounting form 317M4
Escutcheon yellow, padlockable handle red

2GM4

Additional top escutcheon plate

FAZ2 - 8041

Terminal cover, 3 pole

H400-A 1x / -D 2x

TCA4

Terminal cover, each additional single pole

H400-A/ -D

TCB4

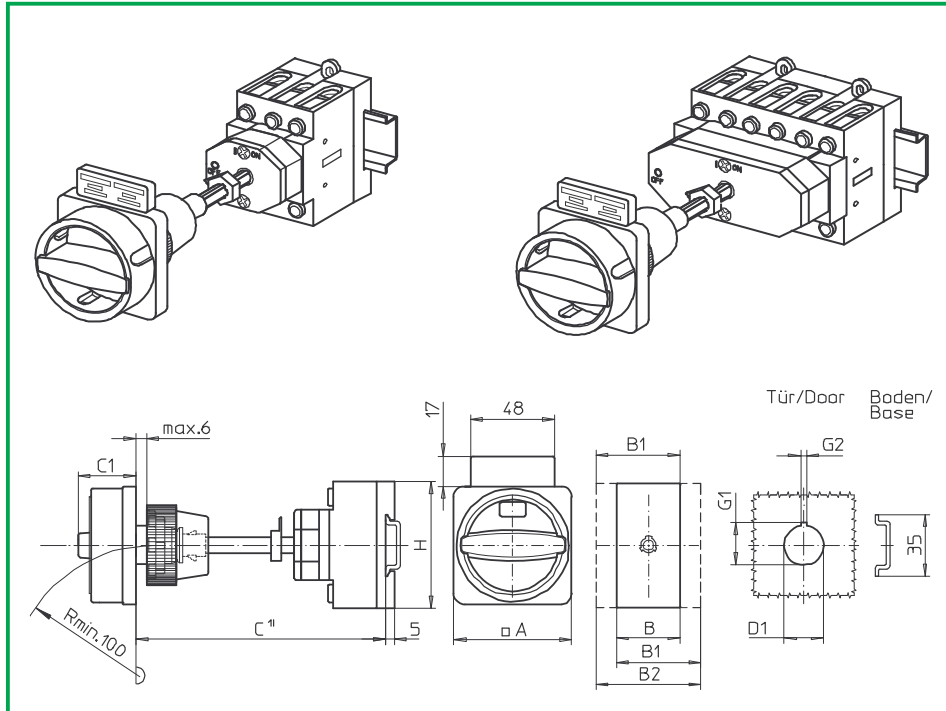
Dimensions (mm)

Product lines	A	B	B1	B2	C	C1	D1	G1	G2	H
H400-A	67	70	89	108	140	38	22,5	24,2	3,2	80
H400-D	67	140	159	178	140	38	22,5	24,2	3,2	80

C¹⁾ Internal depth, outside of door to top of DIN rail.

Base Mounting Switches

sälzer



Product lines
H400-A/ -D

Base mounting switch

Door interlock

Metal shaft extension with fixed metal shaft, C =140 mm

Single hole mounting

ø 22,5 mm front

317N1 (IP66)

317N4 (IP66)

Complete switch	Poles	Product line	Rated data (IEC 60947)			Order code number
			Operational current I _e	Operational power at 380–440 V		
			AC-21A A	AC-23A kW	AC-3 kW	
Main Switches OFF position padlockable 09h	3 ... 8	H400-A/ -D	63	22	18,5	H406 - 41 ... - 317N1
			80	30	22	H408 - 41 ... - 317N1
			100	37	30	H410 - 41 ... - 317N1
			125	45	37	H412 - 41 ... - 317N1
Main/Emergency-Off Switches OFF position padlockable 09h	3 ... 8	H400-A/ -D	63	22	18,5	H406 - 41 ... - 317N4
			80	30	22	H408 - 41 ... - 317N4
			100	37	30	H410 - 41 ... - 317N4
			125	45	37	H412 - 41 ... - 317N4

SMD modules for basic switch A02

Mounting form module for 317N.

H400-A
H400-D

BFA4 - 317
BFB4 - 317

N-padlock device 67 x 67 mm, mounting form 317N1
Escutcheon black, padlockable handle black

2GN1

N-padlock device 67 x 67 mm, mounting form 317N4
Escutcheon yellow, padlockable handle red

2GN4

Additional top escutcheon plate

FAZ2 - 8041

Terminal cover, 3 pole

H400-A 1x / -D 2x

TCA4

Terminal cover, each additional single pole

H400-A/ -D

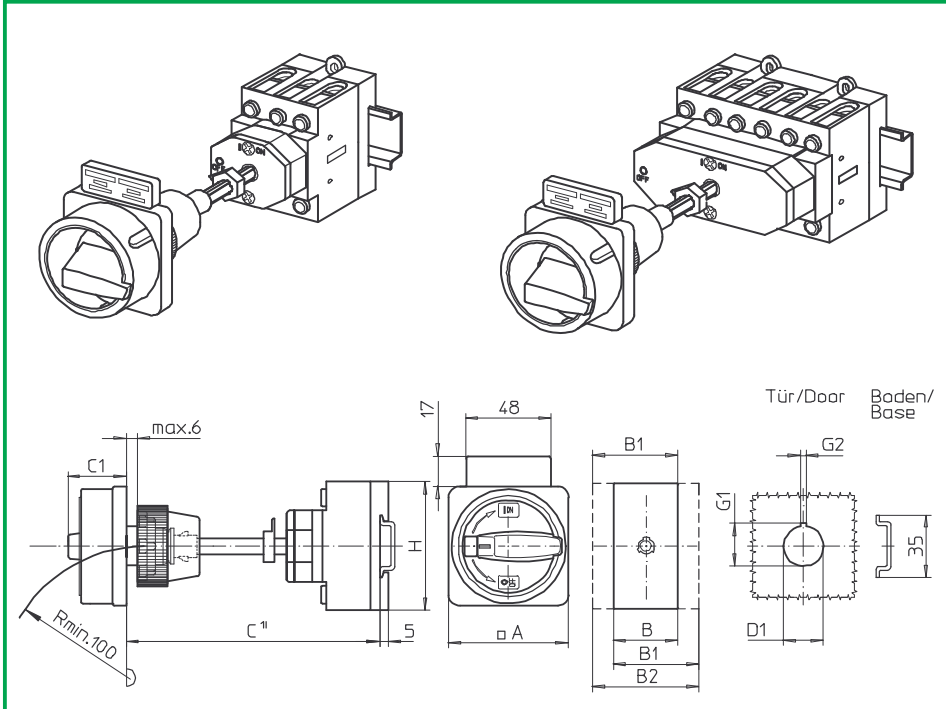
TCB4

Dimensions (mm)

Product lines	A	B	B1	B2	C	C1	D1	G1	G2	H
H400-A	67	70	89	108	140	33	22,5	24,2	3,2	80
H400-D	67	140	159	178	140	33	22,5	24,2	3,2	80

C¹⁾ Internal depth, outside of door to top of DIN rail.

Base Mounting Switches



Product lines
H400-A/ -D

Base mounting switch

Door interlock
Metal shaft extension with fixed metal shaft, C =145 mm

Single hole mounting
ø 22,5 mm front

318M1 (IP66)
318M4 (IP66)

Complete switch	Poles	Product line	Rated data (IEC 60947)			Order code number
			Operational current I _e	Operational power at 380–440 V		
			AC-21A A	AC-23A kW	AC-3 kW	
Main Switches OFF position padlockable 09h	3 ... 8	H400-A/ -D	63	22	18,5	H406 - 41 ... - 318M1
			80	30	22	H408 - 41 ... - 318M1
			100	37	30	H410 - 41 ... - 318M1
			125	45	37	H412 - 41 ... - 318M1
Main/Emergency-Off Switches OFF position padlockable 09h	3 ... 8	H400-A/ -D	63	22	18,5	H406 - 41 ... - 318M4
			80	30	22	H408 - 41 ... - 318M4
			100	37	30	H410 - 41 ... - 318M4
			125	45	37	H412 - 41 ... - 318M4

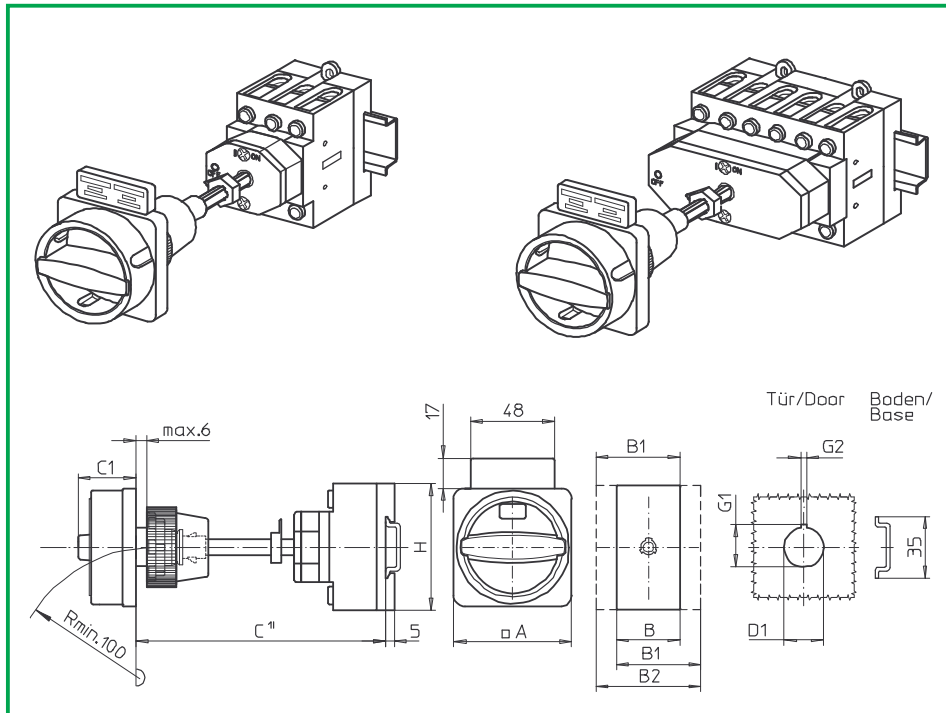
SMD modules for basic switch A02		
Mounting form module for 318M.	H400-A H400-D	BFA4 - 318 BFB4 - 318
M-padlock device 67 x 67 mm, mounting form 318M1 Escutcheon black, padlockable handle black		2GM1
M-padlock device 67 x 67 mm, mounting form 318M4 Escutcheon yellow, padlockable handle red		2GM4
Additional top escutcheon plate		FAZ2 - 8041
Terminal cover, 3 pole	H400-A 1x / -D 2x	TCA4
Terminal cover, each additional single pole	H400-A/ -D	TCB4

Dimensions (mm)										
Product lines	A	B	B1	B2	C	C1	D1	G1	G2	H
H400-A	67	70	89	108	145	38	22,5	24,2	3,2	80
H400-D	67	140	159	178	145	38	22,5	24,2	3,2	80

C¹⁾ Internal depth, outside of door to top of DIN rail.

Base Mounting Switches

sälzer



Product lines
H400-A/ -D

Base mounting switch

Door interlock

Metal shaft extension with fixed metal shaft, C = 145 mm

Single hole mounting

ø 22,5 mm front

318N1 (IP66)

318N4 (IP66)

Complete switch	Poles	Product line	Rated data (IEC 60947)			Order code number
			Operational current I _e	Operational power at 380–440 V		
			AC-21A A	AC-23A kW	AC-3 kW	
Main Switches OFF position padlockable 09h	3 ... 8	H400-A/ -D	63	22	18,5	H406 - 41 ... - 318N1
			80	30	22	H408 - 41 ... - 318N1
			100	37	30	H410 - 41 ... - 318N1
			125	45	37	H412 - 41 ... - 318N1
Main/Emergency-Off Switches OFF position padlockable 09h	3 ... 8	H400-A/ -D	63	22	18,5	H406 - 41 ... - 318N4
			80	30	22	H408 - 41 ... - 318N4
			100	37	30	H410 - 41 ... - 318N4
			125	45	37	H412 - 41 ... - 318N4

SMD modules for basic switch A02

Mounting form module for 318N.

H400-A
H400-D

BFA4 - 318
BFB4 - 318

N-padlock device 67 x 67 mm, mounting form 318N1
Escutcheon black, padlockable handle black

2GN1

N-padlock device 67 x 67 mm, mounting form 318N4
Escutcheon yellow, padlockable handle red

2GN4

Additional top escutcheon plate

FAZ2 - 8041

Terminal cover, 3 pole

H400-A 1x / -D 2x

TCA4

Terminal cover, each additional single pole

H400-A/ -D

TCB4

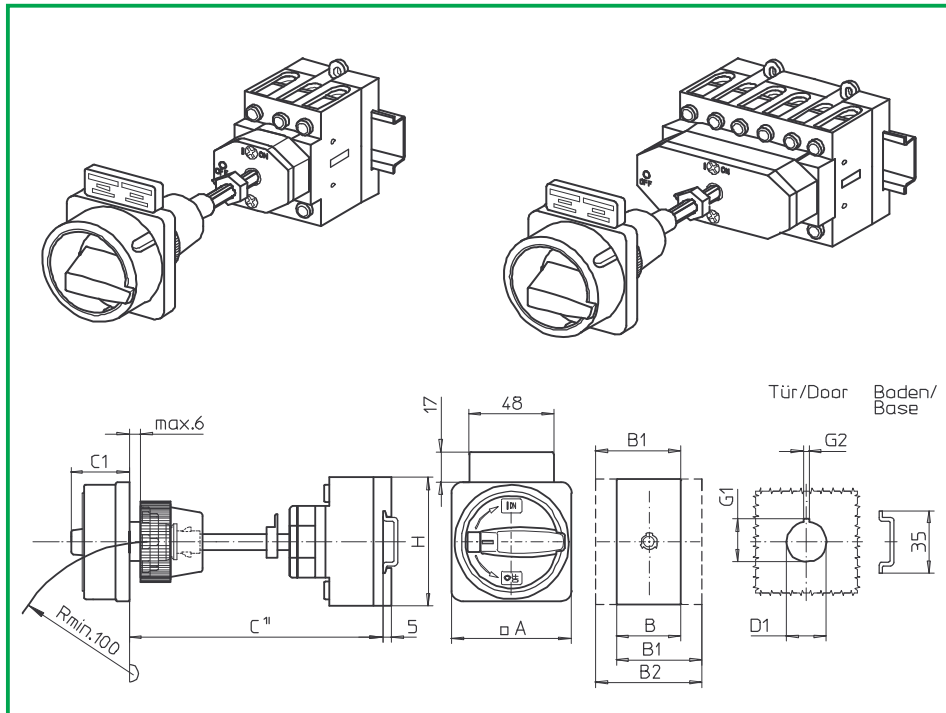
Dimensions (mm)

Product lines	A	B	B1	B2	C	C1	D1	G1	G2	H
H400-A	67	70	89	108	145	33	22,5	24,2	3,2	80
H400-D	67	140	159	178	145	33	22,5	24,2	3,2	80

C¹⁾ Internal depth, outside of door to top of DIN rail.

Base Mounting Switches

sälzer



Product lines
H400-A/ -D

Base mounting switch

Door interlock

Metal shaft extension with fixed metal shaft, C = 150 mm

Single hole mounting

ø 22,5 mm front

319M1 (IP66)

319M4 (IP66)

Complete switch	Poles	Product line	Rated data (IEC 60947)			Order code number
			Operational current I _e	Operational power at 380–440 V		
			AC-21A A	AC-23A kW	AC-3 kW	
Main Switches OFF position padlockable 09h	3 ... 8	H400-A/ -D	63	22	18,5	H406 - 41 ... - 319M1
			80	30	22	H408 - 41 ... - 319M1
			100	37	30	H410 - 41 ... - 319M1
			125	45	37	H412 - 41 ... - 319M1
Main/Emergency-Off Switches OFF position padlockable 09h	3 ... 8	H400-A/ -D	63	22	18,5	H406 - 41 ... - 319M4
			80	30	22	H408 - 41 ... - 319M4
			100	37	30	H410 - 41 ... - 319M4
			125	45	37	H412 - 41 ... - 319M4

SMD modules for basic switch A02

Mounting form module for 319M.

H400-A
H400-D

BFA4 - 319
BFB4 - 319

M-padlock device 67 x 67 mm, mounting form 319M1
Escutcheon black, padlockable handle black

2GM1

M-padlock device 67 x 67 mm, mounting form 319M4
Escutcheon yellow, padlockable handle red

2GM4

Additional top escutcheon plate

FAZ2 - 8041

Terminal cover, 3 pole

H400-A 1x / -D 2x

TCA4

Terminal cover, each additional single pole

H400-A/ -D

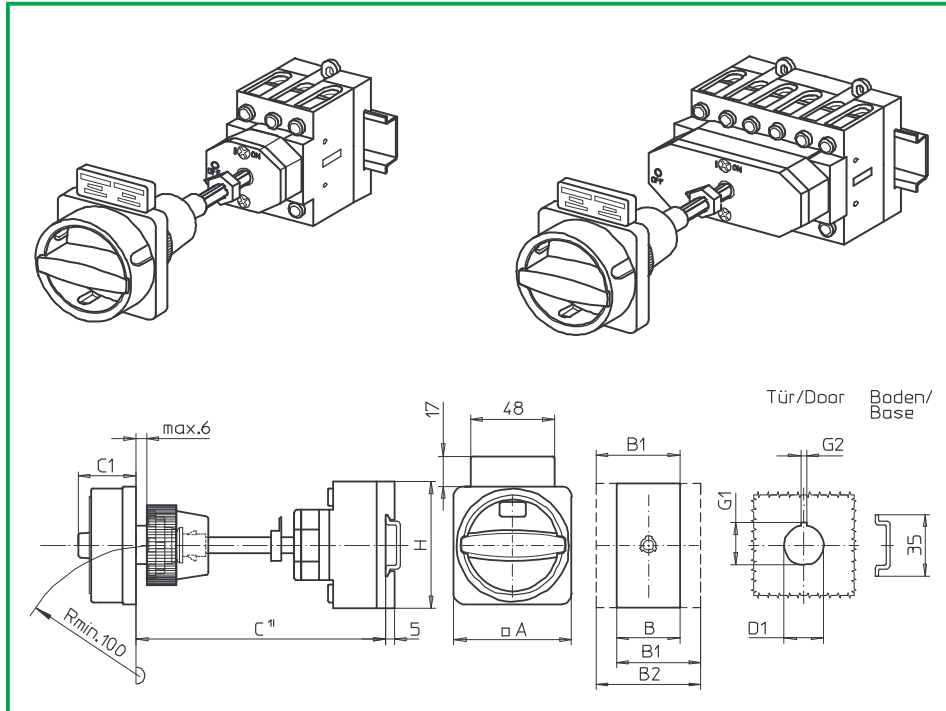
TCB4

Dimensions (mm)

Product lines	A	B	B1	B2	C	C1	D1	G1	G2	H
H400-A	67	70	89	108	150	38	22,5	24,2	3,2	80
H400-D	67	140	159	178	150	38	22,5	24,2	3,2	80

C¹⁾ Internal depth, outside of door to top of DIN rail.

Base Mounting Switches



Product lines
H400-A/ -D

Base mounting switch

Door interlock
Metal shaft extension with fixed metal shaft, C =150 mm

Single hole mounting
ø 22,5 mm front

319N1 (IP66)
319N4 (IP66)

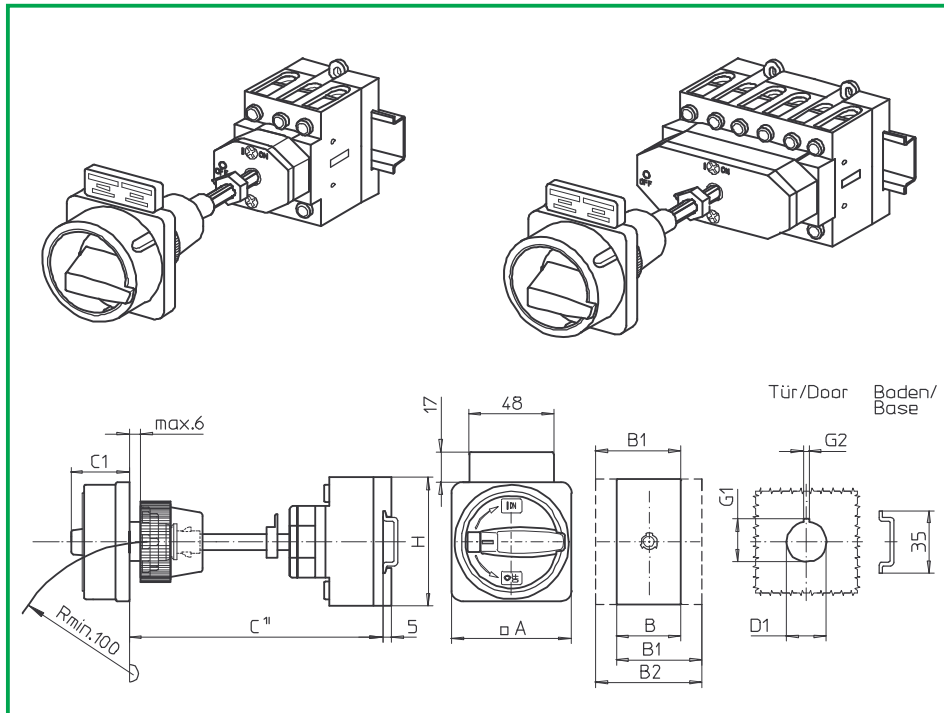
Complete switch	Poles	Product line	Rated data (IEC 60947)			Order code number
			Operational current I _e	Operational power at 380–440 V		
			AC-21A A	AC-23A kW	AC-3 kW	
Main Switches OFF position padlockable 09h	3 ... 8	H400-A/ -D	63	22	18,5	H406 - 41 ... - 319N1
			80	30	22	H408 - 41 ... - 319N1
			100	37	30	H410 - 41 ... - 319N1
			125	45	37	H412 - 41 ... - 319N1
Main/Emergency-Off Switches OFF position padlockable 09h	3 ... 8	H400-A/ -D	63	22	18,5	H406 - 41 ... - 319N4
			80	30	22	H408 - 41 ... - 319N4
			100	37	30	H410 - 41 ... - 319N4
			125	45	37	H412 - 41 ... - 319N4

SMD modules for basic switch A02		
Mounting form module for 319N.	H400-A H400-D	BFA4 - 319 BFB4 - 319
N-padlock device 67 x 67 mm, mounting form 319N1 Escutcheon black, padlockable handle black		2GN1
N-padlock device 67 x 67 mm, mounting form 319N4 Escutcheon yellow, padlockable handle red		2GN4
Additional top escutcheon plate		FAZ2 - 8041
Terminal cover, 3 pole	H400-A 1x / -D 2x	TCA4
Terminal cover, each additional single pole	H400-A/ -D	TCB4

Dimensions (mm)										
Product lines	A	B	B1	B2	C	C1	D1	G1	G2	H
H400-A	67	70	89	108	150	33	22,5	24,2	3,2	80
H400-D	67	140	159	178	150	33	22,5	24,2	3,2	80

C¹⁾ Internal depth, outside of door to top of DIN rail.

Base Mounting Switches



Product lines
H400-A/ -D

Base mounting switch

Door interlock

Metal shaft extension with fixed metal shaft, C = 155 mm

Single hole mounting

ø 22,5 mm front

320M1 (IP66)

320M4 (IP66)

Complete switch	Poles	Product line	Rated data (IEC 60947)			Order code number
			Operational current I _e	Operational power at 380–440 V		
			AC-21A A	AC-23A kW	AC-3 kW	
Main Switches OFF position padlockable 09h	3 ... 8	H400-A/ -D	63	22	18,5	H406 - 41 ... - 320M1
			80	30	22	H408 - 41 ... - 320M1
			100	37	30	H410 - 41 ... - 320M1
			125	45	37	H412 - 41 ... - 320M1
Main/Emergency-Off Switches OFF position padlockable 09h	3 ... 8	H400-A/ -D	63	22	18,5	H406 - 41 ... - 320M4
			80	30	22	H408 - 41 ... - 320M4
			100	37	30	H410 - 41 ... - 320M4
			125	45	37	H412 - 41 ... - 320M4

SMD modules for basic switch A02

Mounting form module for 320M.

H400-A
H400-D

BFA4 - 320
BFB4 - 320

M-padlock device 67 x 67 mm, mounting form 320M1
Escutcheon black, padlockable handle black

2GM1

M-padlock device 67 x 67 mm, mounting form 320M4
Escutcheon yellow, padlockable handle red

2GM4

Additional top escutcheon plate

FAZ2 - 8041

Terminal cover, 3 pole

H400-A 1x / -D 2x

TCA4

Terminal cover, each additional single pole

H400-A/ -D

TCB4

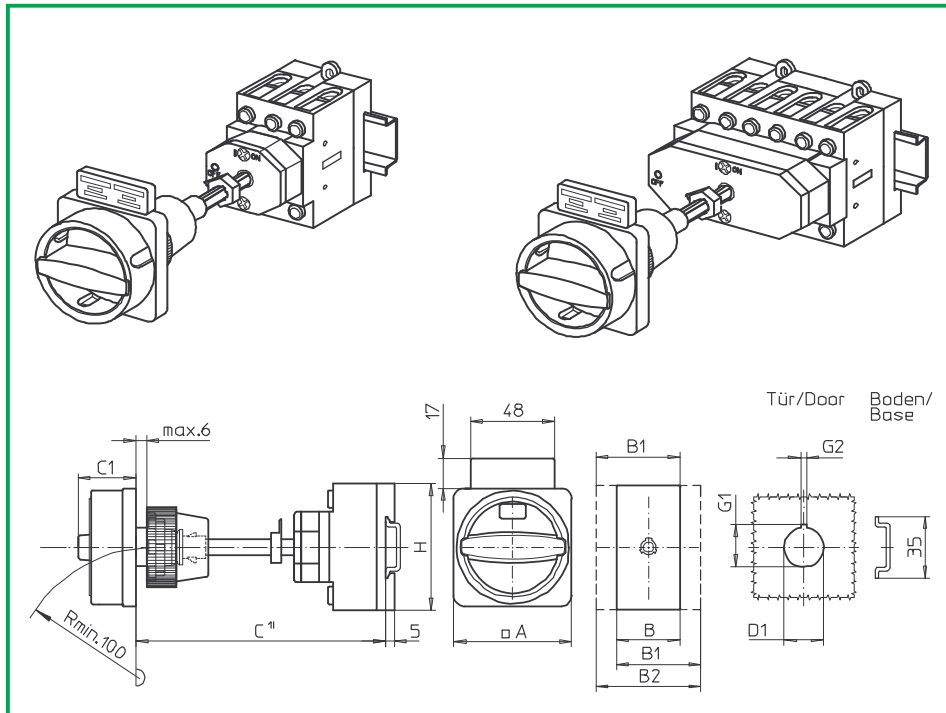
Dimensions (mm)

Product lines	A	B	B1	B2	C	C1	D1	G1	G2	H
H400-A	67	70	89	108	155	38	22,5	24,2	3,2	80
H400-D	67	140	159	178	155	38	22,5	24,2	3,2	80

C¹⁾ Internal depth, outside of door to top of DIN rail.

Base Mounting Switches

sälzer



Product lines
H400-A/ -D

Base mounting switch

Door interlock

Metal shaft extension with fixed metal shaft, C = 155 mm

Single hole mounting

ø 22,5 mm front

320N1 (IP66)

320N4 (IP66)

Complete switch	Poles	Product line	Rated data (IEC 60947)			Order code number
			Operational current I _e	Operational power at 380–440 V		
			AC-21A A	AC-23A kW	AC-3 kW	
Main Switches OFF position padlockable 09h	3 ... 8	H400-A/ -D	63	22	18,5	H406 - 41 ... - 320N1
			80	30	22	H408 - 41 ... - 320N1
			100	37	30	H410 - 41 ... - 320N1
			125	45	37	H412 - 41 ... - 320N1
Main/Emergency-Off Switches OFF position padlockable 09h	3 ... 8	H400-A/ -D	63	22	18,5	H406 - 41 ... - 320N4
			80	30	22	H408 - 41 ... - 320N4
			100	37	30	H410 - 41 ... - 320N4
			125	45	37	H412 - 41 ... - 320N4

SMD modules for basic switch A02

Mounting form module for 320N.

H400-A
H400-D

BFA4 - 320
BFB4 - 320

N-padlock device 67 x 67 mm, mounting form 320N1
Escutcheon black, padlockable handle black

2GN1

N-padlock device 67 x 67 mm, mounting form 320N4
Escutcheon yellow, padlockable handle red

2GN4

Additional top escutcheon plate

FAZ2 - 8041

Terminal cover, 3 pole

H400-A 1x / -D 2x

TCA4

Terminal cover, each additional single pole

H400-A/ -D

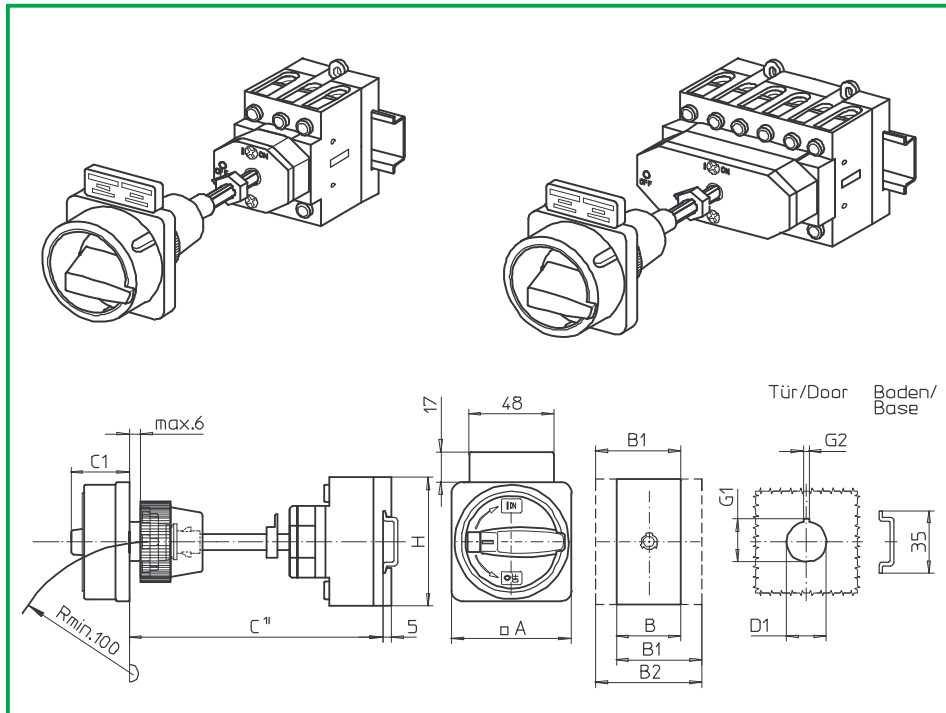
TCB4

Dimensions (mm)

Product lines	A	B	B1	B2	C	C1	D1	G1	G2	H
H400-A	67	70	89	108	155	33	22,5	24,2	3,2	80
H400-D	67	140	159	178	155	33	22,5	24,2	3,2	80

C¹⁾ Internal depth, outside of door to top of DIN rail.

Base Mounting Switches



Product lines
H400-A/ -D

Base mounting switch

Door interlock

Metal shaft extension with fixed metal shaft, C =160 mm

Single hole mounting

ø 22,5 mm front

321M1 (IP66)

321M4 (IP66)

Complete switch	Poles	Product line	Rated data (IEC 60947)			Order code number
			Operational current I _e	Operational power at 380–440 V		
			AC-21A A	AC-23A kW	AC-3 kW	
Main Switches OFF position padlockable 09h	3 ... 8	H400-A/ -D	63	22	18,5	H406 - 41 ... - 321M1
			80	30	22	H408 - 41 ... - 321M1
			100	37	30	H410 - 41 ... - 321M1
			125	45	37	H412 - 41 ... - 321M1
Main/Emergency-Off Switches OFF position padlockable 09h	3 ... 8	H400-A/ -D	63	22	18,5	H406 - 41 ... - 321M4
			80	30	22	H408 - 41 ... - 321M4
			100	37	30	H410 - 41 ... - 321M4
			125	45	37	H412 - 41 ... - 321M4

SMD modules for basic switch A02

Mounting form module for 321M.

M-padlock device 67 x 67 mm, mounting form 321M1
Escutcheon black, padlockable handle black

H400-A
H400-D

BFA4 - 321
BFB4 - 321
2GM1

M-padlock device 67 x 67 mm, mounting form 321M4
Escutcheon yellow, padlockable handle red

2GM4

Additional top escutcheon plate

Terminal cover, 3 pole

FAZ2 - 8041

Terminal cover, each additional single pole

H400-A 1x / -D 2x
H400-A/ -D

TCA4
TCB4

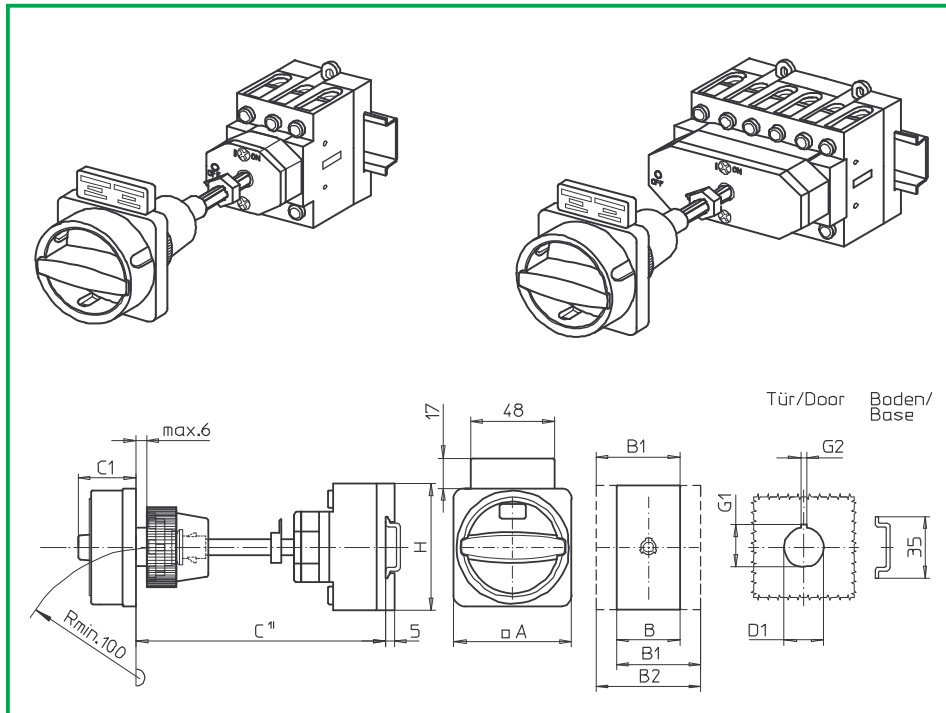
Dimensions (mm)

Product lines	A	B	B1	B2	C	C1	D1	G1	G2	H
H400-A	67	70	89	108	160	38	22,5	24,2	3,2	80
H400-D	67	140	159	178	160	38	22,5	24,2	3,2	80

C¹) Internal depth, outside of door to top of DIN rail.

Base Mounting Switches

sälzer



Product lines
H400-A/ -D

Base mounting switch

Door interlock

Metal shaft extension with fixed metal shaft, C =160 mm

Single hole mounting

ø 22,5 mm front

321N1 (IP66)

321N4 (IP66)

Complete switch	Poles	Product line	Rated data (IEC 60947)			Order code number
			Operational current I _e	Operational power at 380–440 V		
			AC-21A A	AC-23A kW	AC-3 kW	
Main Switches OFF position padlockable 09h	3 ... 8	H400-A/ -D	63	22	18,5	H406 - 41 ... - 321N1
			80	30	22	H408 - 41 ... - 321N1
			100	37	30	H410 - 41 ... - 321N1
			125	45	37	H412 - 41 ... - 321N1
Main/Emergency-Off Switches OFF position padlockable 09h	3 ... 8	H400-A/ -D	63	22	18,5	H406 - 41 ... - 321N4
			80	30	22	H408 - 41 ... - 321N4
			100	37	30	H410 - 41 ... - 321N4
			125	45	37	H412 - 41 ... - 321N4

SMD modules for basic switch A02

Mounting form module for 321N.

H400-A
H400-D

BFA4 - 321
BFB4 - 321

N-padlock device 67 x 67 mm, mounting form 321N1
Escutcheon black, padlockable handle black

2GN1

N-padlock device 67 x 67 mm, mounting form 321N4
Escutcheon yellow, padlockable handle red

2GN4

Additional top escutcheon plate

FAZ2 - 8041

Terminal cover, 3 pole

H400-A 1x / -D 2x

TCA4

Terminal cover, each additional single pole

H400-A/ -D

TCB4

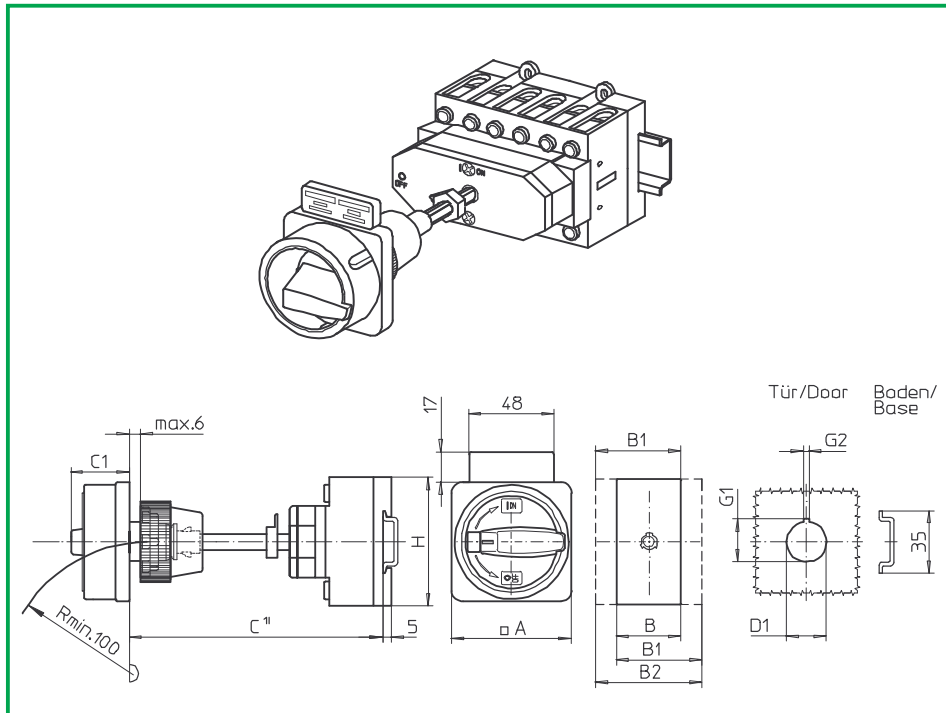
Dimensions (mm)

Product lines	A	B	B1	B2	C	C1	D1	G1	G2	H
H400-A	67	70	89	108	160	33	22,5	24,2	3,2	80
H400-D	67	140	159	178	160	33	22,5	24,2	3,2	80

C¹⁾ Internal depth, outside of door to top of DIN rail.

Base Mounting Switches

sälzer



**Product lines
H400-D**

Base mounting switch

Door interlock

Metal shaft extension with fixed metal shaft, C = 165 mm

Single hole mounting

ø 22,5 mm front

322M1 (IP66)

322M4 (IP66)

Complete switch	Poles	Product line	Rated data (IEC 60947)			Order code number
			Operational current I _e	Operational power at 380–440 V		
			AC-21A A	AC-23A kW	AC-3 kW	
Main Switches OFF position padlockable 09h	6 ... 8	H400-D	63	22	18,5	H406 - 41 ... - 322M1
			80	30	22	H408 - 41 ... - 322M1
			100	37	30	H410 - 41 ... - 322M1
			125	45	37	H412 - 41 ... - 322M1
Main/Emergency-Off Switches OFF position padlockable 09h	6 ... 8	H400-D	63	22	18,5	H406 - 41 ... - 322M4
			80	30	22	H408 - 41 ... - 322M4
			100	37	30	H410 - 41 ... - 322M4
			125	45	37	H412 - 41 ... - 322M4

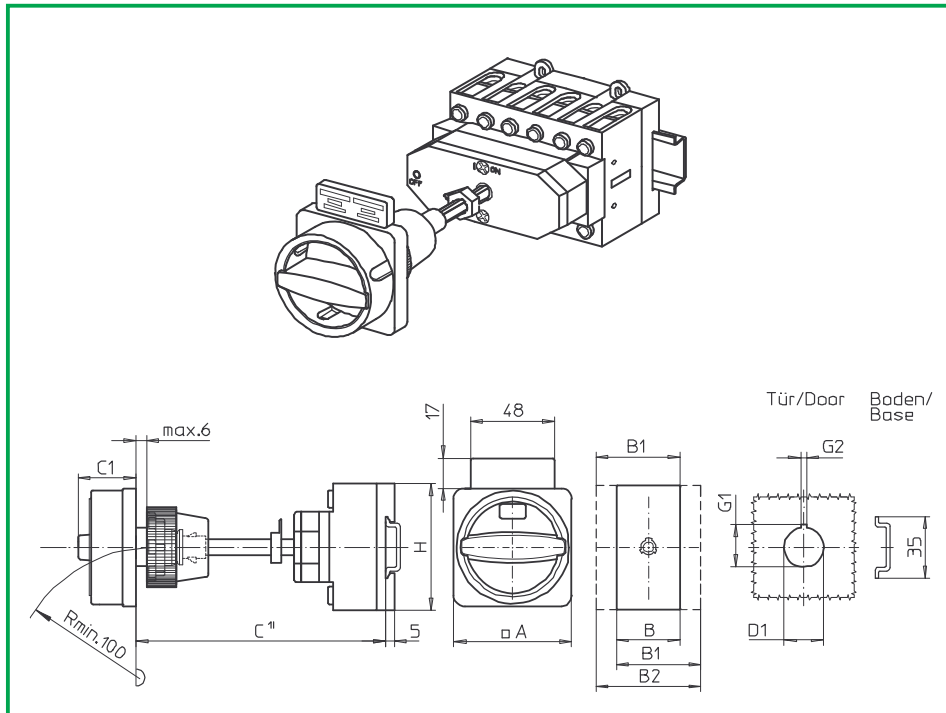
SMD modules for basic switch A02		
Mounting form module for 322M.	H400-D	BFB4 - 322 2GM1
M-padlock device 67 x 67 mm, mounting form 322M1 Escutcheon black, padlockable handle black		2GM4
M-padlock device 67 x 67 mm, mounting form 322M4 Escutcheon yellow, padlockable handle red		FAZ2 - 8041 TCA4 TCB4
Additional top escutcheon plate		
Terminal cover, 3 pole	H400-D 2x	
Terminal cover, each additional single pole	H400-D	

Dimensions (mm)										
Product line	A	B	B1	B2	C	C1	D1	G1	G2	H
H400-D	67	140	159	178	165	38	22,5	24,2	3,2	80

C¹) Internal depth, outside of door to top of DIN rail.

Base Mounting Switches

sälzer



**Product lines
H400-D**

Base mounting switch

Door interlock

Metal shaft extension with fixed metal shaft, C = 165 mm

Single hole mounting

∅ 22,5 mm front

322N1 (IP66)

322N4 (IP66)

Complete switch	Poles	Product line	Rated data (IEC 60947)			Order code number
			Operational current I _e	Operational power at 380–440 V		
			AC-21A A	AC-23A kW	AC-3 kW	
Main Switches OFF position padlockable 09h	6 ... 8	H400-D	63	22	18,5	H406 - 41 ... - 322N1
			80	30	22	H408 - 41 ... - 322N1
			100	37	30	H410 - 41 ... - 322N1
			125	45	37	H412 - 41 ... - 322N1
Main/Emergency-Off Switches OFF position padlockable 09h	6 ... 8	H400-D	63	22	18,5	H406 - 41 ... - 322N4
			80	30	22	H408 - 41 ... - 322N4
			100	37	30	H410 - 41 ... - 322N4
			125	45	37	H412 - 41 ... - 322N4

SMD modules for basic switch A02

Mounting form module for 322N.

H400-D

BFB4 - 322

N-padlock device 67 x 67 mm, mounting form 322N1
Escutcheon black, padlockable handle black

2GN1

N-padlock device 67 x 67 mm, mounting form 322N4
Escutcheon yellow, padlockable handle red

2GN4

Additional top escutcheon plate

FAZ2 - 8041

Terminal cover, 3 pole

H400-D 2x

TCA4

Terminal cover, each additional single pole

H400-D

TCB4

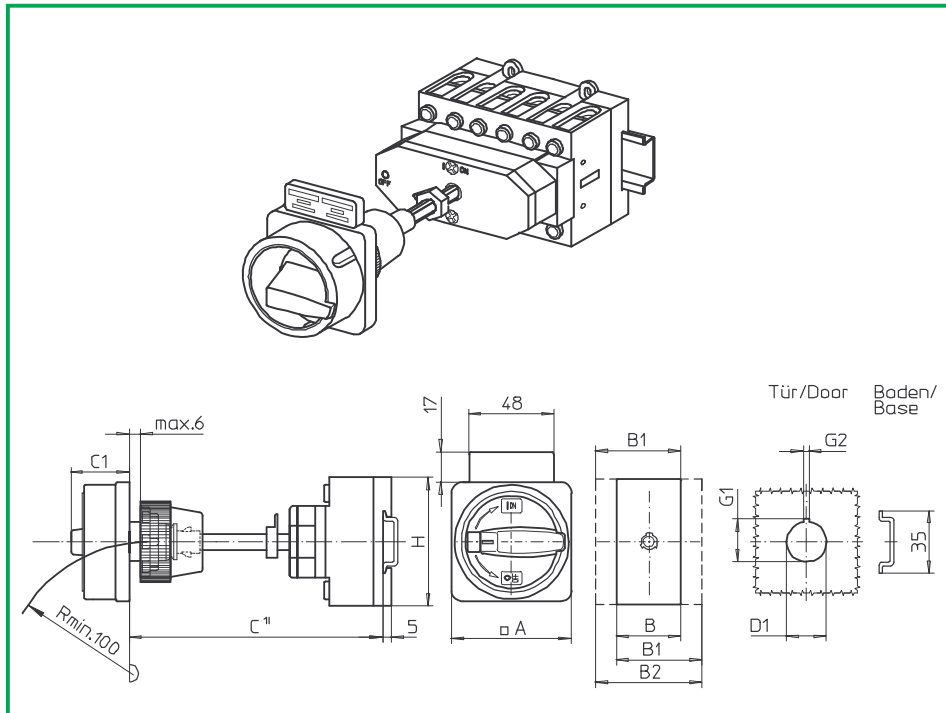
Dimensions (mm)

Product line	A	B	B1	B2	C	C1	D1	G1	G2	H
H400-D	67	140	159	178	165	33	22,5	24,2	3,2	80

C¹⁾ Internal depth, outside of door to top of DIN rail.

Base Mounting Switches

sälzer



**Product lines
H400-D**

Base mounting switch

Door interlock

Metal shaft extension with fixed metal shaft, C = 170 mm

Single hole mounting

∅ 22,5 mm front

323M1 (IP66)

323M4 (IP66)

Complete switch	Poles	Product line	Rated data (IEC 60947)			Order code number
			Operational current I _e	Operational power at 380–440 V		
			AC-21A A	AC-23A kW	AC-3 kW	
Main Switches OFF position padlockable 09h	6 ... 8	H400-D	63	22	18,5	H406 - 41 ... - 323M1
			80	30	22	H408 - 41 ... - 323M1
			100	37	30	H410 - 41 ... - 323M1
			125	45	37	H412 - 41 ... - 323M1
Main/Emergency-Off Switches OFF position padlockable 09h	6 ... 8	H400-D	63	22	18,5	H406 - 41 ... - 323M4
			80	30	22	H408 - 41 ... - 323M4
			100	37	30	H410 - 41 ... - 323M4
			125	45	37	H412 - 41 ... - 323M4

SMD modules for basic switch A02

Mounting form module for 323M.	H400-D	BFB4 - 323 2GM1
M-padlock device 67 x 67 mm, mounting form 323M1 Escutcheon black, padlockable handle black		2GM4
M-padlock device 67 x 67 mm, mounting form 323M4 Escutcheon yellow, padlockable handle red		FAZ2 - 8041
Additional top escutcheon plate		TCA4
Terminal cover, 3 pole	H400-D 2x	TCB4
Terminal cover, each additional single pole	H400-D	

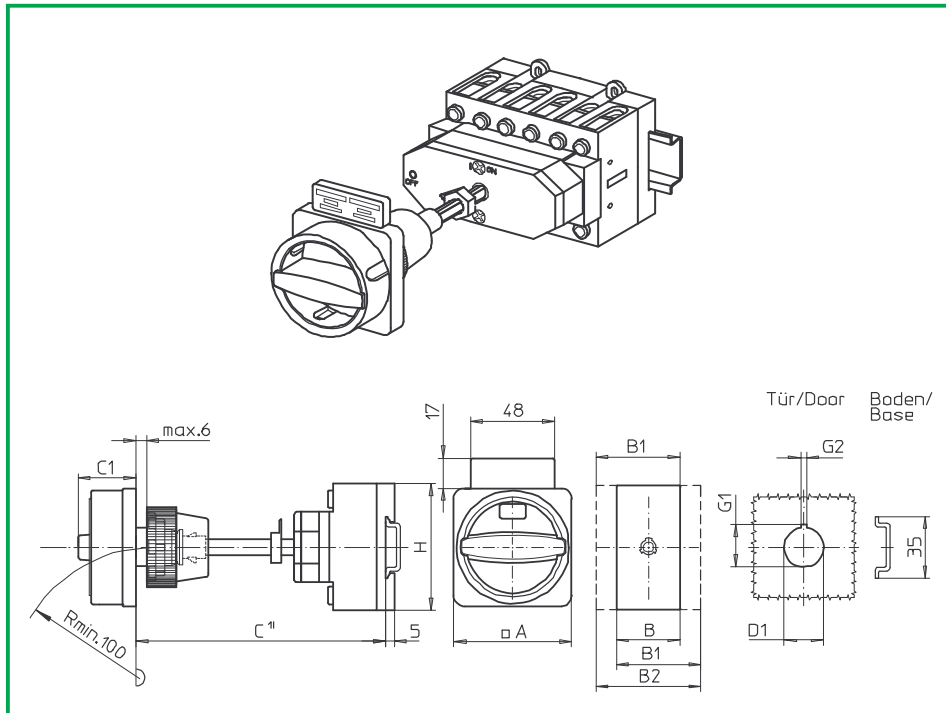
Dimensions (mm)

Product line	A	B	B1	B2	C	C1	D1	G1	G2	H
H400-D	67	140	159	178	165	38	22,5	24,2	3,2	80

C¹) Internal depth, outside of door to top of DIN rail.

Base Mounting Switches

sälzer



**Product lines
H400-D**

Base mounting switch

Door interlock

Metal shaft extension with fixed metal shaft, C = 170 mm

Single hole mounting

ø 22,5 mm front

323N1 (IP66)

323N4 (IP66)

Complete switch	Poles	Product line	Rated data (IEC 60947)			Order code number
			Operational current I _e	Operational power at 380–440 V		
			AC-21A A	AC-23A kW	AC-3 kW	
Main Switches OFF position padlockable 09h	6 ... 8	H400-D	63	22	18,5	H406 - 41 ... - 323N1
			80	30	22	H408 - 41 ... - 323N1
			100	37	30	H410 - 41 ... - 323N1
			125	45	37	H412 - 41 ... - 323N1
Main/Emergency-Off Switches OFF position padlockable 09h	6 ... 8	H400-D	63	22	18,5	H406 - 41 ... - 323N4
			80	30	22	H408 - 41 ... - 323N4
			100	37	30	H410 - 41 ... - 323N4
			125	45	37	H412 - 41 ... - 323N4

SMD modules for basic switch A02

Mounting form module for 323N.

H400-D

BFB4 - 323

N-padlock device 67 x 67 mm, mounting form 323N1
Escutcheon black, padlockable handle black

2GN1

N-padlock device 67 x 67 mm, mounting form 323N4
Escutcheon yellow, padlockable handle red

2GN4

Additional top escutcheon plate

FAZ2 - 8041

Terminal cover, 3 pole

H400-D 2x

TCA4

Terminal cover, each additional single pole

H400-D

TCB4

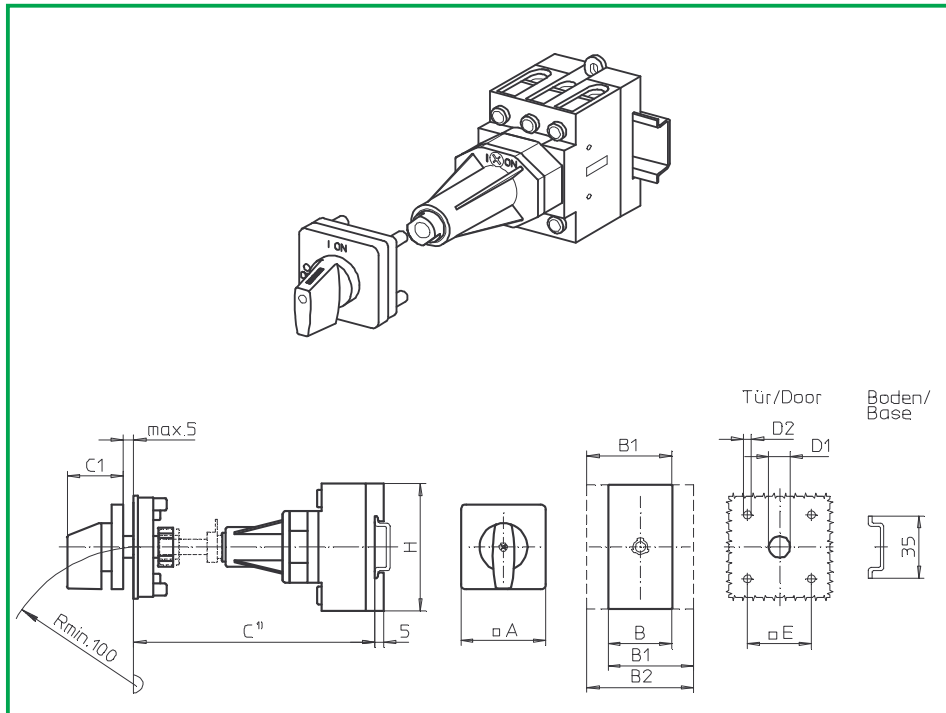
Dimensions (mm)

Product line	A	B	B1	B2	C	C1	D1	G1	G2	H
H400-D	67	140	159	178	165	33	22,5	24,2	3,2	80

C¹⁾ Internal depth, outside of door to top of DIN rail.

Base Mounting Switches

sälzer



Product lines
H400-A/ -D/ -E

Base mounting switch

Door clutch
Metal shaft extension

Four hole mounting
48 x 48 mm front

441M1 (IP66)

Complete switch	Poles	Product line	Rated data (IEC 60947)			Order code number
			Operational current I _e	Operational power at 380–440 V		
			AC-21A A	AC-23A kW	AC-3 kW	
ON-OFF Switches Switching angle 90°	3 ... 8	H400-A/ -D	63	22	18,5	H406 - 41 ... - 441M1
			80	30	22	H408 - 41 ... - 441M1
			100	37	30	H410 - 41 ... - 441M1
			125	45	37	H412 - 41 ... - 441M1
Changeover with OFF Switching angle 90°	3 ... 4	H400-E	63	22	18,5	H406 - 71 ... - 441M1
			80	30	22	H408 - 71 ... - 441M1
			100	37	30	H410 - 71 ... - 441M1
			125	45	37	H412 - 71 ... - 441M1

SMD modules for basic switch A02

Mounting form module for 441M1
Mounting form module for 441M1

H400-A/ -D
H400-E

BFA4 - 441
BFB4 - 441
4AM1

M-operator module 64 x 64 mm, mounting form 441M1
Escutcheon black, handle black

Legend plate silver, operator module 441M1

FAS4 - 9... (FA number)

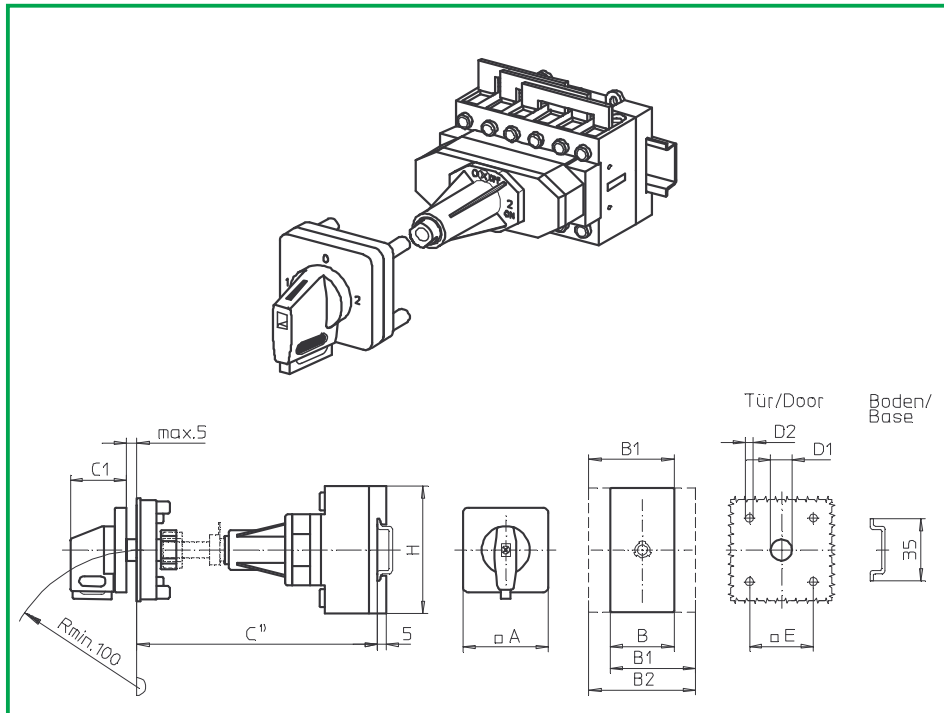
Dimensions (mm)

Product lines	A	B	B1	B2	C1	D1	D2	E	H
H400-A	64	70	89	108	40	15	5	48	80
H400-D/ -E	64	140	159	178	40	15	5	48	80

C¹⁾ Internal depth, inside of door to top of DIN rail. Metal shaft is not included. See page B7-8.

Base Mounting Switches

sälzer



Product line
H400-E

Base mounting switch

Door clutch

Metal shaft extension

Four hole mounting

48 x 48 mm front

441V1 (IP66)

442V1 (IP66)

Complete switch	Poles	Product line	Rated data (IEC 60947)			Order code number
			Operational current I _e	Operational power at 380–440 V		
			AC-21A A	AC-23A kW	AC-3 kW	
Changeover with OFF Switching angle 90° OFF position padlockable 12h	3 ... 4	H400-E	63	22	18,5	H406 - 71 ... - 441V1
			80	30	22	H408 - 71 ... - 441V1
			100	37	30	H410 - 71 ... - 441V1
			125	45	37	H412 - 71 ... - 441V1
Changeover with OFF Switching angle 90° 3 positions padlockable (09h/12h/03h)	3 ... 4	H400-E	63	22	18,5	H406 - 71 ... - 442V1
			80	30	22	H408 - 71 ... - 442V1
			100	37	30	H410 - 71 ... - 442V1
			125	45	37	H412 - 71 ... - 442V1

SMD modules for basic switch A02

Mounting form module for 441V1/ 442V1

H400-E

BFB4 - 441

V-operator module 64 x 64 mm, mounting form 441V1
Escutcheon black, handle black

4AV1 - 12

V-operator module 64 x 64 mm, mounting form 442V1
Escutcheon black, handle black

4AV1 - 99

Legend plate silver, operator module 441V1/ 442V1

FAS4 - 9... (FA number)

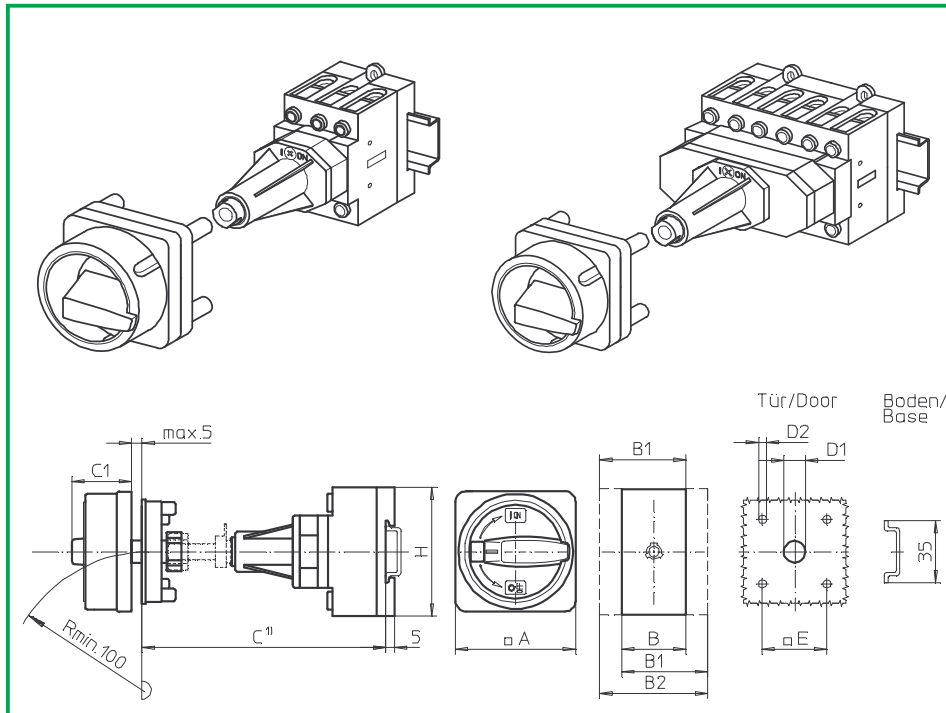
Dimensions (mm)

Product line	A	B	B1	B2	C1	D1	D2	E	H
H400-E	64	140	159	178	40	15	5	48	80

C¹⁾ Internal depth, inside of door to top of DIN rail. Metal shaft is not included. See page B7-8.

Base Mounting Switches

sälzer



**Product lines
H400-A/ -D**

Base mounting switch

Door clutch

Metal shaft extension

Four hole mounting

48 x 48 mm front

432M1 (IP66)

432M4 (IP66)

Complete switch	Poles	Product line	Rated data (IEC 60947)			Order code number
			Operational current I _e	Operational power at 380–440 V		
			AC-21A A	AC-23A kW	AC-3 kW	
Main Switches OFF position padlockable 09h	3 ... 8	H400-A/ -D	63	22	18,5	H406 - 41 ... - 432M1
			80	30	22	H408 - 41 ... - 432M1
			100	37	30	H410 - 41 ... - 432M1
			125	45	37	H412 - 41 ... - 432M1
Main/Emergency-Off Switches OFF position padlockable 09h	3 ... 8	H400-A/ -D	63	22	18,5	H406 - 41 ... - 432M4
			80	30	22	H408 - 41 ... - 432M4
			100	37	30	H410 - 41 ... - 432M4
			125	45	37	H412 - 41 ... - 432M4

SMD modules for basic switch A02

Mounting form module for 432M.

H400-A/ -D

BFA4 - 432

M-padlock device 88 x 88 mm, mounting form 432M1
Escutcheon black, padlockable handle black

4CM1

M-padlock device 88 x 88 mm, mounting form 432M4
Escutcheon yellow, padlockable handle red

4CM4

Terminal cover, 3 pole

H400-A 1x / -D 2x

TCA4

Terminal cover, each additional single pole

H400-A/ -D

TCB4

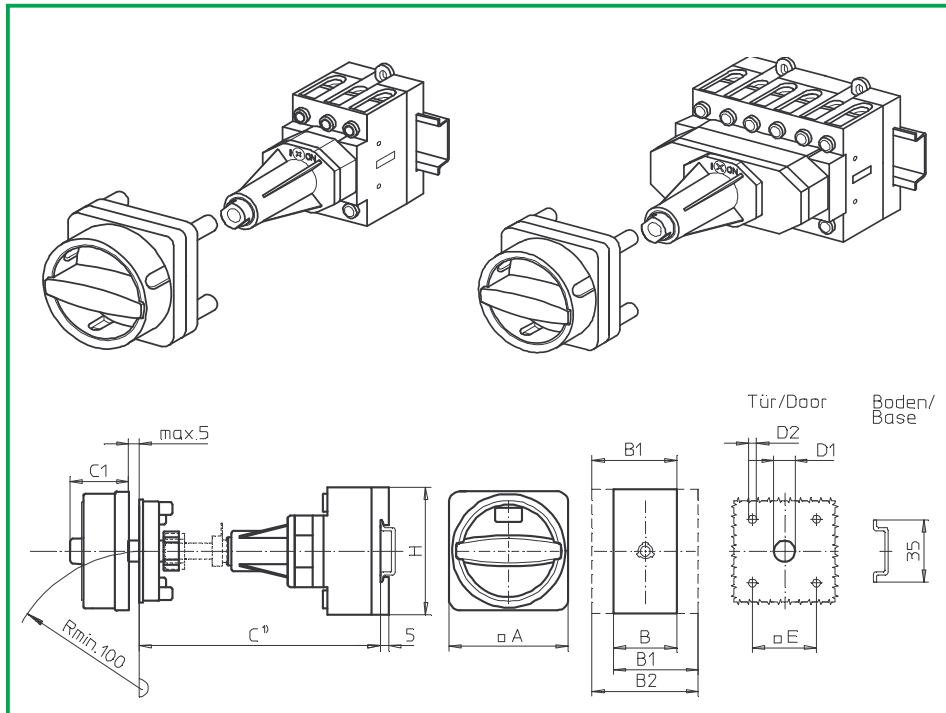
Dimensions (mm)

Product lines	A	B	B1	B2	C1	D1	D2	E	H
H400-A	88	70	89	108	50	15	5	48	80
H400-D	88	140	159	178	50	15	5	48	80

C¹) Internal depth, inside of door to top of DIN rail. Metal shaft is not included. See page B7-8.

Base Mounting Switches

sälzer



**Product lines
H400-A/ -D**

Base mounting switch

Door clutch

Metal shaft extension

Four hole mounting

48 x 48 mm front

432N1 (IP66)

432N4 (IP66)

Complete switch	Poles	Product line	Rated data (IEC 60947)			Order code number
			Operational current I _e	Operational power at 380–440 V		
			AC-21A A	AC-23A kW	AC-3 kW	
Main Switches OFF position padlockable 09h	3 ... 8	H400-A/ -D	63	22	18,5	H406 - 41 ... - 432N1
			80	30	22	H408 - 41 ... - 432N1
			100	37	30	H410 - 41 ... - 432N1
			125	45	37	H412 - 41 ... - 432N1
Main/Emergency-Off Switches OFF position padlockable 09h	3 ... 8	H400-A/ -D	63	22	18,5	H406 - 41 ... - 432N4
			80	30	22	H408 - 41 ... - 432N4
			100	37	30	H410 - 41 ... - 432N4
			125	45	37	H412 - 41 ... - 432N4

SMD modules for basic switch A02

Mounting form module for 432N.

H400-A/ -D

BFA4 - 432

N-padlock device 88 x 88 mm, mounting form 432N1
Escutcheon black, padlockable handle black

4CN1

N-padlock device 88 x 88 mm, mounting form 432N4
Escutcheon yellow, padlockable handle red

4CN4

Terminal cover, 3 pole

H400-A 1x / -D 2x

TCA4

Terminal cover, each additional single pole

H400-A/ -D

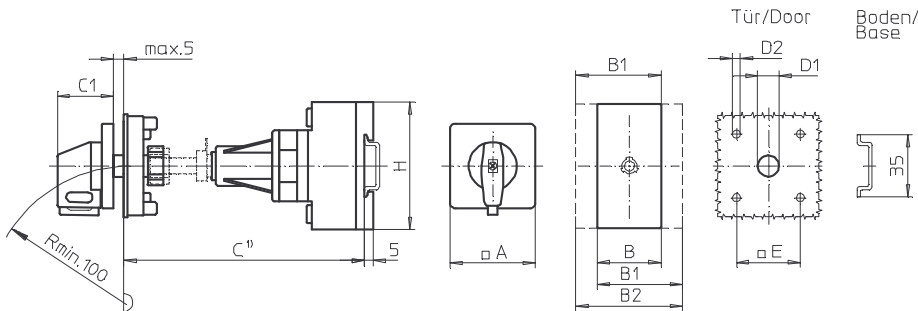
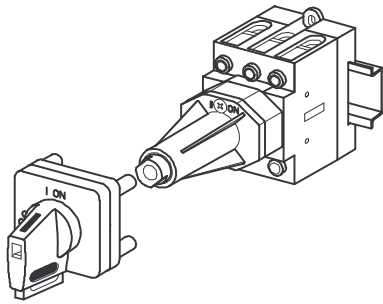
TCB4

Dimensions (mm)

Product lines	A	B	B1	B2	C1	D1	D2	E	H
H400-A	88	70	89	108	45	15	5	48	80
H400-D	88	140	159	178	45	15	5	48	80

C¹⁾ Internal depth, inside of door to top of DIN rail. Metal shaft is not included. See page B7-8.

Base Mounting Switches



Product lines
H400-A/ -D

Base mounting switch

Door clutch

Metal shaft extension

Four hole mounting

48 x 48 mm front

432V1 (IP66)

432V4 (IP66)

Complete switch	Poles	Product line	Rated data (IEC 60947)			Order code number
			Operational current I _e	Operational power at 380–440 V		
			AC-21A A	AC-23A kW	AC-3 kW	
Main Switches OFF position padlockable 09h	3 ... 8	H400-A/ -D	63	22	18,5	H406 - 41 ... - 432V1
			80	30	22	H408 - 41 ... - 432V1
			100	37	30	H410 - 41 ... - 432V1
			125	45	37	H412 - 41 ... - 432V1
Main/Emergency-Off Switches OFF position padlockable 09h	3 ... 8	H400-A/ -D	63	22	18,5	H406 - 41 ... - 432V4
			80	30	22	H408 - 41 ... - 432V4
			100	37	30	H410 - 41 ... - 432V4
			125	45	37	H412 - 41 ... - 432V4

SMD modules for basic switch A02

Mounting form module for 432V.	H400-A/ -D	BFA4 - 441
V-operator module 64 x 64 mm, mounting form 432V1 Escutcheon black, handle black		4AV1 - 09
Legend plate silver, operator module 432V1		FAS4 - 9... (FA number)
V-operator module 64 x 64 mm, mounting form 432V4 Escutcheon black, handle red		4AV4 - 09
Legend plate yellow, operator module 432V4		FBS4 - 9... (FA number)
Terminal cover, 3 pole	H400-A 1x / -D 2x	TCA4
Terminal cover, each additional single pole	H400-A/ -D	TCB4

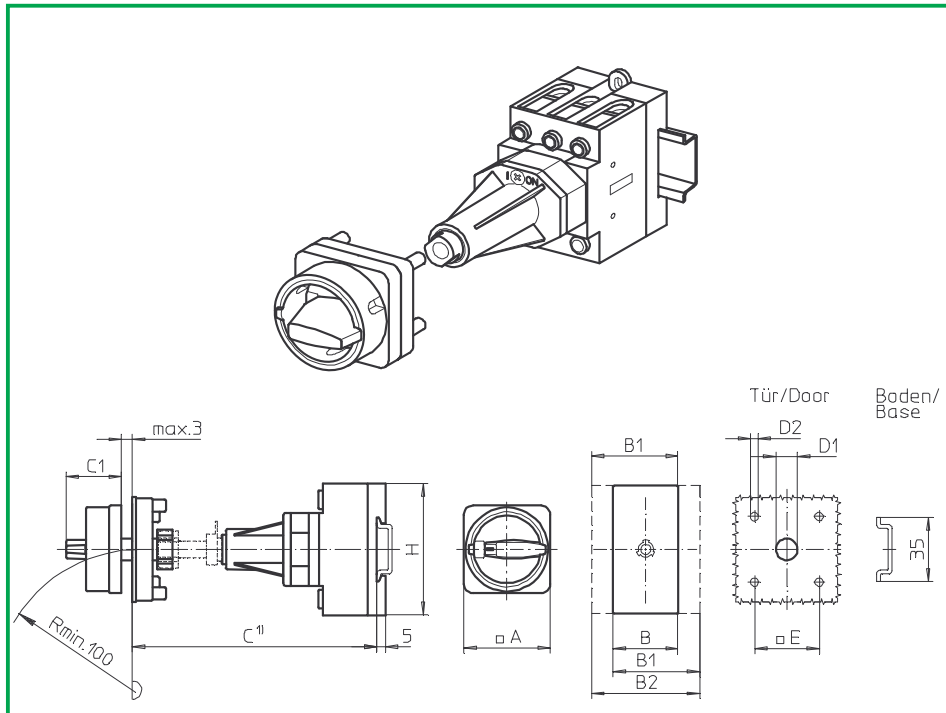
Dimensions (mm)

Product lines	A	B	B1	B2	C1	D1	D2	E	H
H400-A	64	70	89	108	40	15	5	48	80
H400-D	64	140	159	178	40	15	5	48	80

C¹⁾ Internal depth, inside of door to top of DIN rail. Metal shaft is not included. See page B7-8.

Base Mounting Switches

sälzer



**Product lines
H400-A/ -D**

Base mounting switch

Door clutch

Metal shaft extension

Four hole mounting

48 x 48 mm front

431M1 (IP66)

431M4 (IP66)

Complete switch	Poles	Product line	Rated data (IEC 60947)			Order code number
			Operational current I _e	Operational power at 380–440 V		
			AC-21A A	AC-23A kW	AC-3 kW	
Main Switches OFF position padlockable 09h	3 ... 8	H400-A/ -D	63	22	18,5	H406 - 41 ... - 431M1
			80	30	22	H408 - 41 ... - 431M1
			100	37	30	H410 - 41 ... - 431M1
			125	45	37	H412 - 41 ... - 431M1
Main/Emergency-Off Switches OFF position padlockable 09h	3 ... 8	H400-A/ -D	63	22	18,5	H406 - 41 ... - 431M4
			80	30	22	H408 - 41 ... - 431M4
			100	37	30	H410 - 41 ... - 431M4
			125	45	37	H412 - 41 ... - 431M4

SMD modules for basic switch A02

Mounting form module for 431M.

H400-A/ -D

BFA4 - 431

M-padlock device 67 x 67 mm, mounting form 431M1
Escutcheon black, padlockable handle black

4BM1

M-padlock device 67 x 67 mm, mounting form 431M4
Escutcheon yellow, padlockable handle red

4BM4

Terminal cover, 3 pole

H400-A 1x / -D 2x

TCA4

Terminal cover, each additional single pole

H400-A/ -D

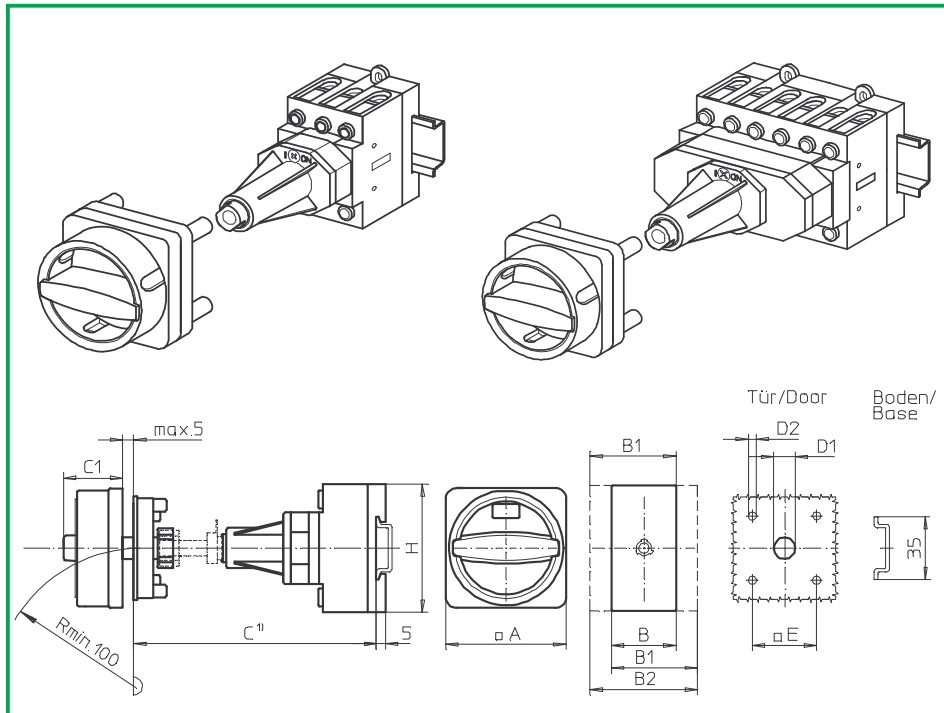
TCB4

Dimensions (mm)

Product lines	A	B	B1	B2	C1	D1	D2	E	H
H400-A	67	70	89	108	38	15	5	48	80
H400-D	67	140	159	178	38	15	5	48	80

C¹⁾ Internal depth, inside of door to top of DIN rail. Metal shaft is not included. See page B7-8.

Base Mounting Switches



Product lines
H400-A/ -D

Base mounting switch
Door clutch
Metal shaft extension

Four hole mounting
48 x 48 mm front

431N1 (IP66)
431N4 (IP66)

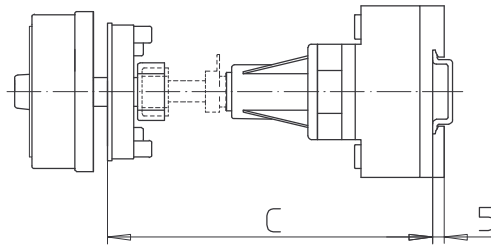
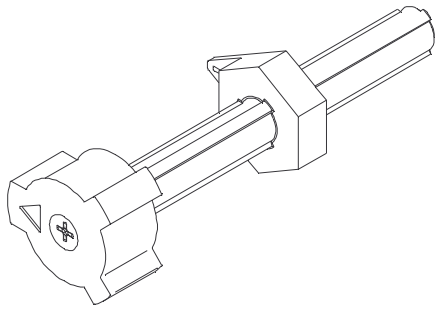
Complete switch	Poles	Product line	Rated data (IEC 60947)			Order code number
			Operational current I _e	Operational power at 380–440 V		
			AC-21A A	AC-23A kW	AC-3 kW	
Main Switches OFF position padlockable 09h	3 ... 8	H400-A/ -D	63	22	18,5	H406 - 41 ... - 431N1
			80	30	22	H408 - 41 ... - 431N1
			100	37	30	H410 - 41 ... - 431N1
			125	45	37	H412 - 41 ... - 431N1
Main/Emergency-Off Switches OFF position padlockable 09h	3 ... 8	H400-A/ -D	63	22	18,5	H406 - 41 ... - 431N4
			80	30	22	H408 - 41 ... - 431N4
			100	37	30	H410 - 41 ... - 431N4
			125	45	37	H412 - 41 ... - 431N4

SMD modules for basic switch A02		
Mounting form module for 431N.	H400-A/ -D	BFA4 - 431
N-padlock device 67 x 67 mm, mounting form 431N1 Escutcheon black, padlockable handle black		4BN1
N-padlock device 67 x 67 mm, mounting form 431N4 Escutcheon yellow, padlockable handle red		4BN4
Terminal cover, 3 pole	H400-A 1x / -D 2x	TCA4
Terminal cover, each additional single pole	H400-A/ -D	TCB4

Dimensions (mm)									
Product lines	A	B	B1	B2	C1	D1	D2	E	H
H400-A	67	70	89	108	33	15	5	48	80
H400-D	67	140	159	178	33	15	5	48	80

C¹) Internal depth, inside of door to top of DIN rail. Metal shaft is not included. See page B7-8.

Metal shaft extension



Product lines
H400-A/ -D/ -E

Base mounting switch

Door clutch
Metal shaft extension

Four hole mounting
front

AVB8 - . . .

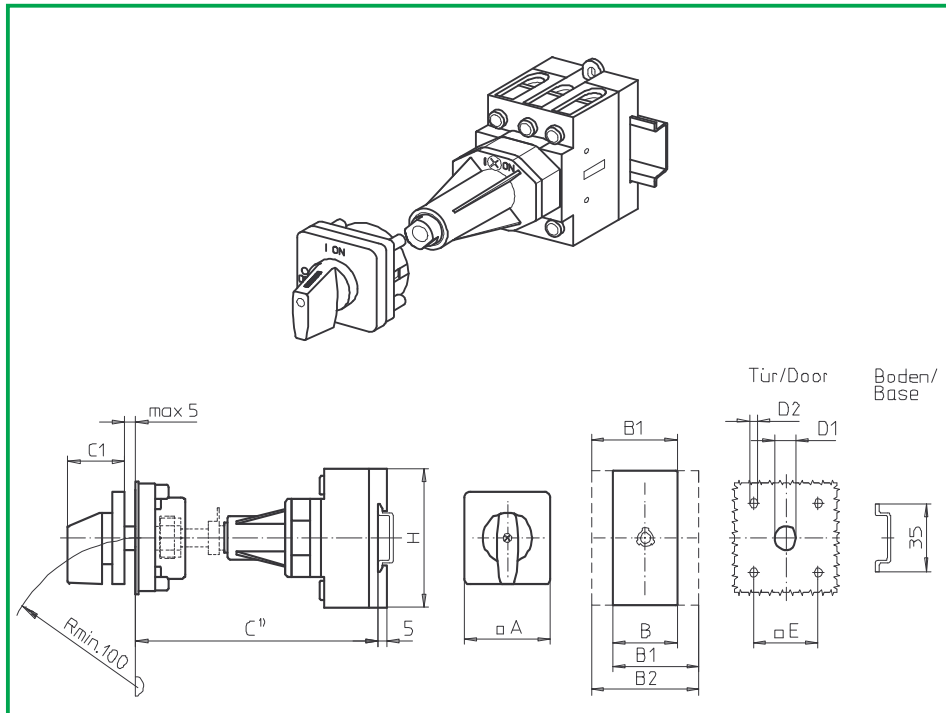
Metal shaft extension for mounting forms with door clutch and four hole mounting front

Dimension C (Internal depth, inside of door to top of DIN rail)

H400-A	H400-D/ -E	Order code number
150 . . . 174mm	163 . . . 187 mm	AVB8 - 065
175 . . . 199mm	188 . . . 212 mm	AVB8 - 090
200 . . . 224mm	213 . . . 237 mm	AVB8 - 115
225 . . . 249 mm	238 . . . 262 mm	AVB8 - 140
250 . . . 274 mm	263 . . . 287 mm	AVB8 - 165
275 . . . 299 mm	288 . . . 312 mm	AVB8 - 190
300 . . . 324 mm	313 . . . 337 mm	AVB8 - 215
325 . . . 349 mm	338 . . . 362 mm	AVB8 - 240
350 . . . 374 mm	363 . . . 387 mm	AVB8 - 265
375 . . . 399 mm	388 . . . 412 mm	AVB8 - 290
400 . . . 424 mm	413 . . . 437 mm	AVB8 - 315
425 . . . 449 mm	438 . . . 462 mm	AVB8 - 340
450 . . . 474 mm	463 . . . 487 mm	AVB8 - 365
475 . . . 499 mm	488 . . . 512 mm	AVB8 - 390
500 . . . 524 mm	513 . . . 537 mm	AVB8 - 415
525 . . . 549 mm	538 . . . 562 mm	AVB8 - 440
550 . . . 574 mm	563 . . . 587 mm	AVB8 - 465
575 . . . 599 mm	588 . . . 612 mm	AVB8 - 490
600 . . . 624 mm	613 . . . 637 mm	AVB8 - 515
625 . . . 649 mm	638 . . . 662 mm	AVB8 - 540

Base Mounting Switches

sälzer



Product lines
H400-A/ -D/ -E

Base mounting switch

Door interlock
Metal shaft extension

Four hole mounting
48 x 48 mm front

481M1 (IP66)

Complete switch	Poles	Product line	Rated data (IEC 60947)			Order code number
			Operational current I _e	Operational power at 380–440 V		
			AC-21A A	AC-23A kW	AC-3 kW	
ON-OFF Switches Switching angle 90°	3 ... 8	H400-A/ -D	63	22	18,5	H406 - 41 ... - 481M1
			80	30	22	H408 - 41 ... - 481M1
			100	37	30	H410 - 41 ... - 481M1
			125	45	37	H412 - 41 ... - 481M1
Changeover with OFF Switching angle 90°	3 ... 4	H400-E	63	22	18,5	H406 - 71 ... - 481M1
			80	30	22	H408 - 71 ... - 481M1
			100	37	30	H410 - 71 ... - 481M1
			125	45	37	H412 - 71 ... - 481M1

SMD modules for basic switch A02

Mounting form module for 481M1
Mounting form module for 481M1

H400-A/ -D
H400-E

BFA4 - 481
BFB4 - 481
4AM1

M-operator module 64 x 64 mm, mounting form 481M1
Escutcheon black, handle black

Legend plate silver, operator module 481M1

FAS4 - 9... (FA number)

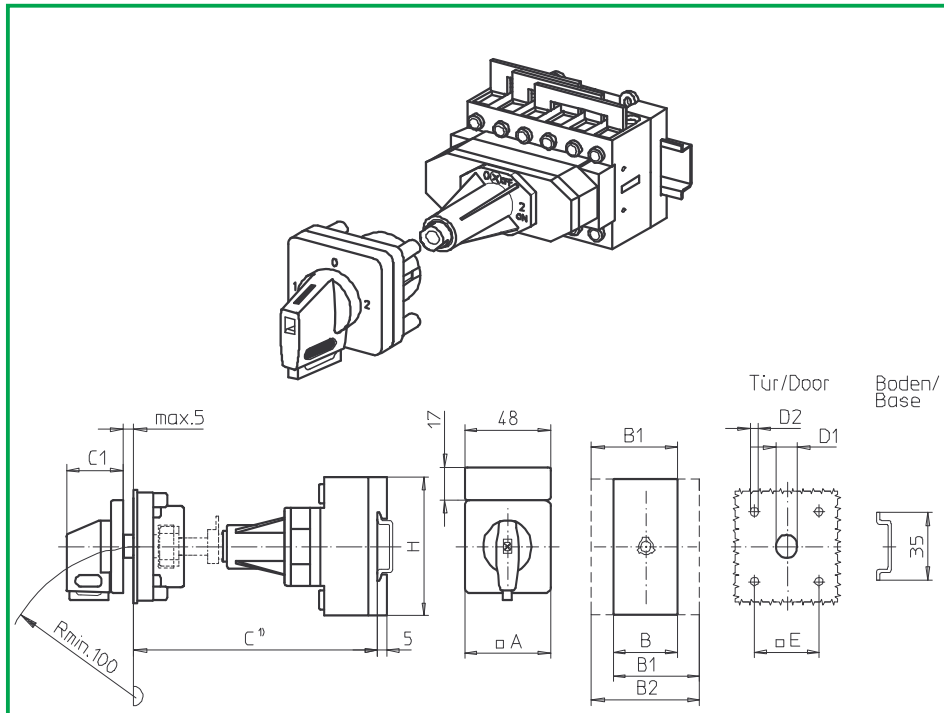
Dimensions (mm)

Product lines	A	B	B1	B2	C1	D1	D2	E	H
H400-A	64	70	89	108	40	15	5	48	80
H400-D/ -E	64	140	159	178	40	15	5	48	80

C¹⁾ Internal depth, inside of door to top of DIN rail. Metal shaft is not included. Please order separately. See page B8-8.

Base Mounting Switches

sälzer



Product line
H400-E

Base mounting switch

Door interlock
Metal shaft extension

Four hole mounting
48 x 48 mm front

481V1 (IP66)
485V1 (IP66)

Complete switch	Poles	Product line	Rated data (IEC 60947)			Order code number
			Operational current I _e	Operational power at 380–440 V		
			AC-21A A	AC-23A kW	AC-3 kW	
Changeover with OFF Switching angle 90° OFF position padlockable 12h	3 ... 4	H400-E	63	22	18,5	H406 - 71 ... - 481V1
			80	30	22	H408 - 71 ... - 481V1
			100	37	30	H410 - 71 ... - 481V1
			125	45	37	H412 - 71 ... - 481V1
Changeover with OFF Switching angle 90° 3 positions padlockable (09h/12h/03h)	3 ... 4	H400-E	63	22	18,5	H406 - 71 ... - 485V1
			80	30	22	H408 - 71 ... - 485V1
			100	37	30	H410 - 71 ... - 485V1
			125	45	37	H412 - 71 ... - 485V1

SMD modules for basic switch A02

Mounting form module for 481V1/ 485V1

H400-E

BFB4 - 481

V-operator module 64 x 64 mm, mounting form 481V1
Escutcheon black, handle black

4AV1 - 12

V-operator module 64 x 64 mm, mounting form 485V1
Escutcheon black, handle black

4AV1 - 99

Legend plate silver, operator module 481V1/ 485V1

FAS4 - 9... (FA number)

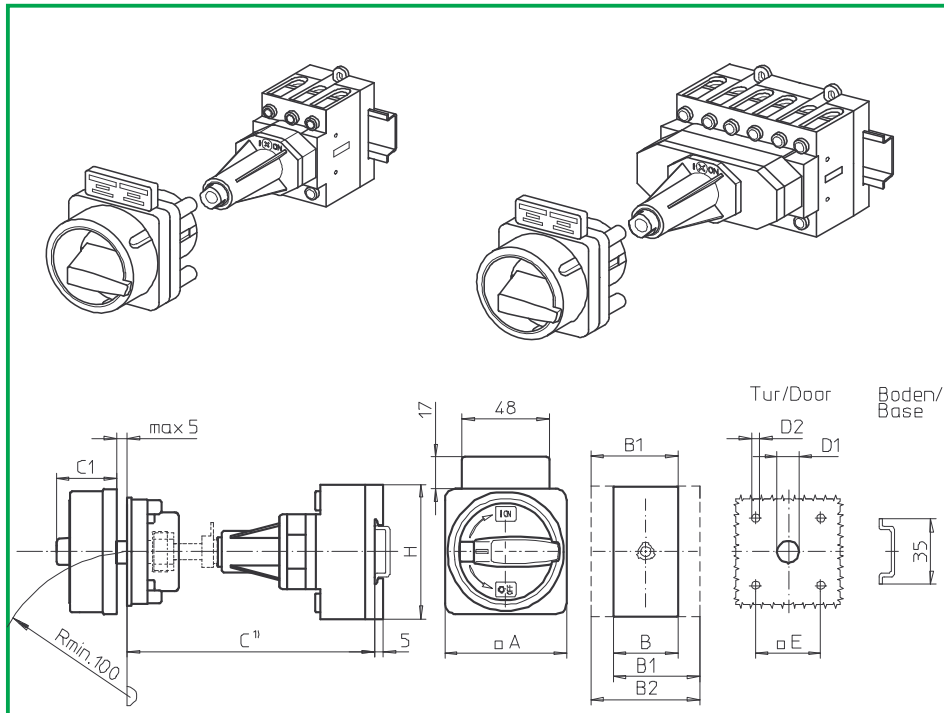
Dimensions (mm)

Product line	A	B	B1	B2	C1	D1	D2	E	H
H400-E	64	140	159	178	40	15	5	48	80

C¹⁾ Internal depth, inside of door to top of DIN rail. Metal shaft is not included. Please order separately. See page B8-8.

Base Mounting Switches

sälzer



Product lines
H400-A/ -D

Base mounting switch

Door interlock
Metal shaft extension

Four hole mounting
48 x 48 mm front

483M1 (IP66)
483M4 (IP66)

Complete switch	Poles	Product line	Rated data (IEC 60947)			Order code number
			Operational current I _e	Operational power at 380–440 V		
			AC-21A A	AC-23A kW	AC-3 kW	
Main Switches OFF position padlockable 09h	3 ... 8	H400-A/ -D	63	22	18,5	H406 - 41 ... - 483M1
			80	30	22	H408 - 41 ... - 483M1
			100	37	30	H410 - 41 ... - 483M1
			125	45	37	H412 - 41 ... - 483M1
Main/Emergency-Off Switches OFF position padlockable 09h	3 ... 8	H400-A/ -D	63	22	18,5	H406 - 41 ... - 483M4
			80	30	22	H408 - 41 ... - 483M4
			100	37	30	H410 - 41 ... - 483M4
			125	45	37	H412 - 41 ... - 483M4

SMD modules for basic switch A02

Mounting form module for 483M.	H400-A/ -D	BFA4 - 483
M-padlock device 88 x 88 mm, mounting form 483M1 Escutcheon black, padlockable handle black		4CM1
M-padlock device 88 x 88 mm, mounting form 483M4 Escutcheon yellow, padlockable handle red		4CM4
Additional top escutcheon plate		FAZ2 - 8041
Terminal cover, 3 pole	H400-A 1x / -D 2x	TCA4
Terminal cover, each additional single pole	H400-A/ -D	TCB4

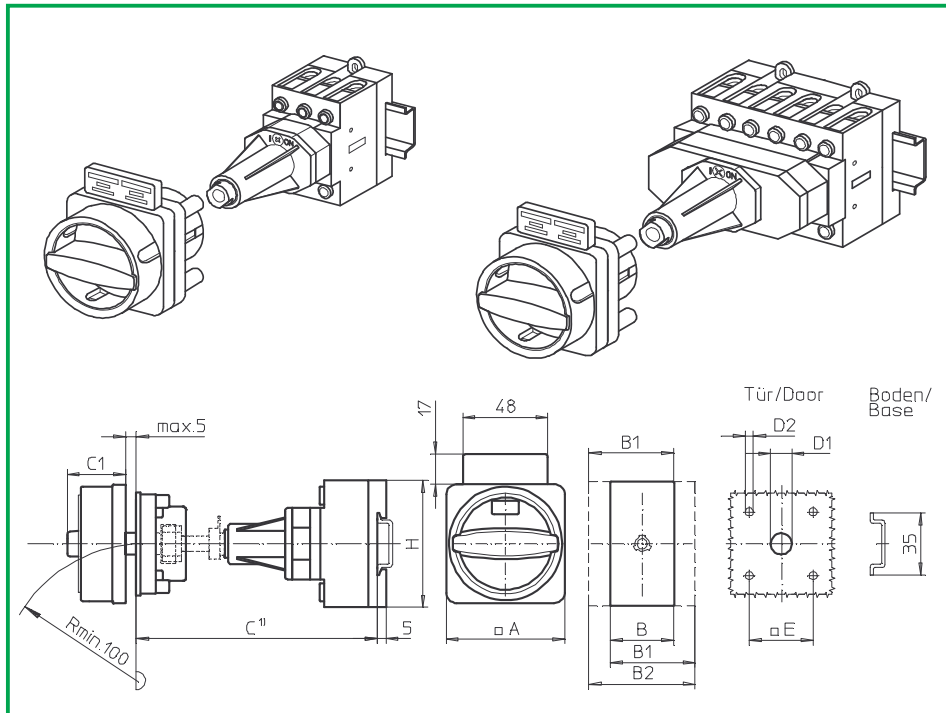
Dimensions (mm)

Product lines	A	B	B1	B2	C1	D1	D2	E	H
H400-A	88	70	89	108	50	15	5	48	80
H400-D	88	140	159	178	50	15	5	48	80

C¹) Internal depth, inside of door to top of DIN rail. Metal shaft is not included. Please order separately. See page B8-8.

Base Mounting Switches

sälzer



**Product lines
H400-A/ -D**

Base mounting switch

Door interlock
Metal shaft extension

Four hole mounting
48 x 48 mm front

483N1 (IP66)
483N4 (IP66)

Complete switch	Poles	Product line	Rated data (IEC 60947)			Order code number
			Operational current I _e	Operational power at 380–440 V		
			AC-21A A	AC-23A kW	AC-3 kW	
Main Switches OFF position padlockable 09h	3 ... 8	H400-A/ -D	63	22	18,5	H406 - 41 ... - 483N1
			80	30	22	H408 - 41 ... - 483N1
			100	37	30	H410 - 41 ... - 483N1
			125	45	37	H412 - 41 ... - 483N1
Main/Emergency-Off Switches OFF position padlockable 09h	3 ... 8	H400-A/ -D	63	22	18,5	H406 - 41 ... - 483N4
			80	30	22	H408 - 41 ... - 483N4
			100	37	30	H410 - 41 ... - 483N4
			125	45	37	H412 - 41 ... - 483N4

SMD modules for basic switch A02

Mounting form module for 483N.	H400-A/ -D	BFA4 - 483
N-padlock device 88 x 88 mm, mounting form 483N1 Escutcheon black, padlockable handle black		4CN1
N-padlock device 88 x 88 mm, mounting form 483N4 Escutcheon yellow, padlockable handle red		4CN4
Additional top escutcheon plate		FAZ2 - 8041
Terminal cover, 3 pole	H400-A 1x / -D 2x	TCA4
Terminal cover, each additional single pole	H400-A/ -D	TCB4

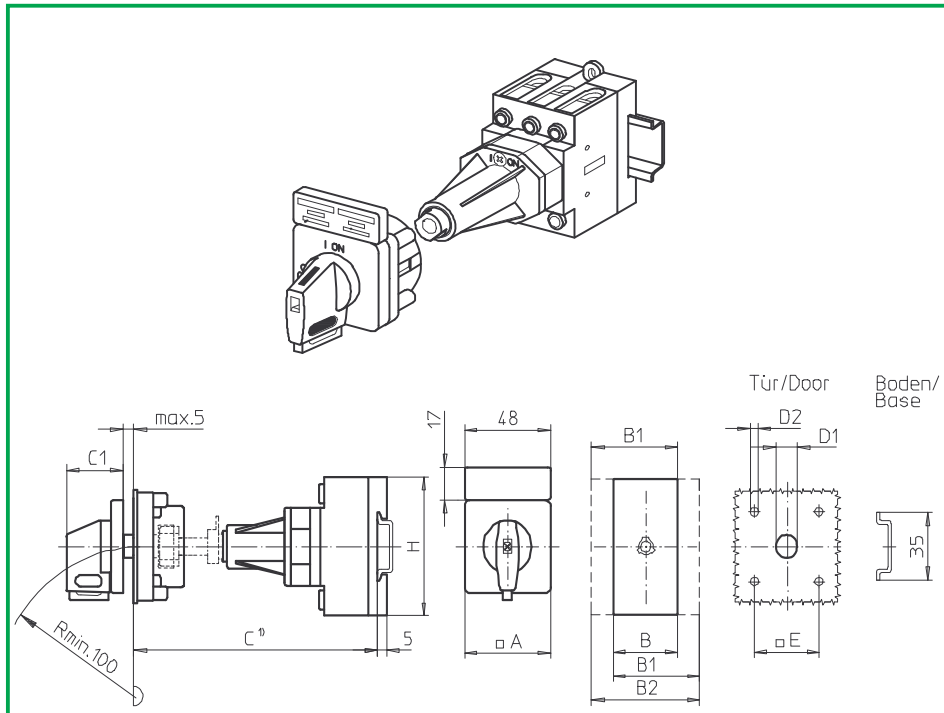
Dimensions (mm)

Product lines	A	B	B1	B2	C1	D1	D2	E	H
H400-A	88	70	89	108	45	15	5	48	80
H400-D	88	140	159	178	45	15	5	48	80

C¹⁾ Internal depth, inside of door to top of DIN rail. Metal shaft is not included. Please order separately. See page B8-8.

Base Mounting Switches

sälzer



Product lines
H400-A/ -D

Base mounting switch

Door interlock
Metal shaft extension

Four hole mounting
48 x 48 mm front

483V1 (IP66)
483V4 (IP66)

Complete switch	Poles	Product line	Rated data (IEC 60947)			Order code number
			Operational current I _e	Operational power at 380–440 V		
			AC-21A A	AC-23A kW	AC-3 kW	
Main Switches OFF position padlockable 09h	3 ... 8	H400-A/ -D	63	22	18,5	H406 - 41 ... - 483V1
			80	30	22	H408 - 41 ... - 483V1
			100	37	30	H410 - 41 ... - 483V1
			125	45	37	H412 - 41 ... - 483V1
Main/Emergency-Off Switches OFF position padlockable 09h	3 ... 8	H400-A/ -D	63	22	18,5	H406 - 41 ... - 483V4
			80	30	22	H408 - 41 ... - 483V4
			100	37	30	H410 - 41 ... - 483V4
			125	45	37	H412 - 41 ... - 483V4

SMD modules for basic switch A02

Mounting form module for 483V.	H400-A/ -D	BFA4 - 481 4AV1 - 09
V-operator module 64 x 64 mm, mounting form 483V1		
Escutcheon black, handle black		
Legend plate silver, operator module 483V1		FAS4 - 9... (FA number)
V-operator module 64 x 64 mm, mounting form 483V4		4AV4 - 09
Escutcheon black, handle red		
Legend plate yellow, operator module 483V4		FBS4 - 9... (FA number)
additional top escutcheon plate		FAZ2 - 8041
Terminal cover, 3 pole	H400-A 1x / -D 2x	TCA4
Terminal cover, each additional single pole	H400-A/ -D	TCB4

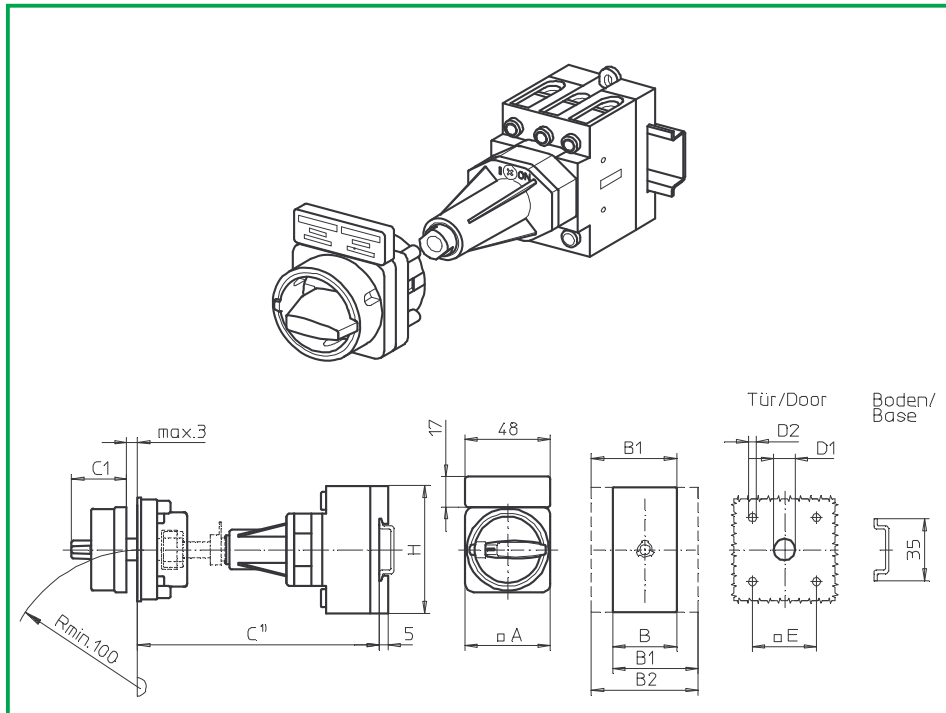
Dimensions (mm)

Product lines	A	B	B1	B2	C1	D1	D2	E	H
H400-A	64	70	89	108	40	15	5	48	80
H400-D	64	140	159	178	40	15	5	48	80

C¹⁾ Internal depth, inside of door to top of DIN rail. Metal shaft is not included. Please order separately. See page B8-8.

Base Mounting Switches

sälzer



Product lines
H400-A/ -D

Base mounting switch

Door interlock
Metal shaft extension

Four hole mounting
48 x 48 mm front

435M1 (IP66)
435M4 (IP66)

Complete switch	Poles	Product line	Rated data (IEC 60947)			Order code number
			Operational current I _e	Operational power at 380–440 V		
			AC-21A A	AC-23A kW	AC-3 kW	
Main Switches OFF position padlockable 09h	3 ... 8	H400-A/ -D	63	22	18,5	H406 - 41 ... - 435M1
			80	30	22	H408 - 41 ... - 435M1
			100	37	30	H410 - 41 ... - 435M1
			125	45	37	H412 - 41 ... - 435M1
Main/Emergency-Off Switches OFF position padlockable 09h	3 ... 8	H400-A/ -D	63	22	18,5	H406 - 41 ... - 435M4
			80	30	22	H408 - 41 ... - 435M4
			100	37	30	H410 - 41 ... - 435M4
			125	45	37	H412 - 41 ... - 435M4

SMD modules for basic switch A02

Mounting form module for 435M.	H400-A/ -D	BFA4 - 435
M-padlock device 67 x 67 mm, mounting form 435M1 Escutcheon black, padlockable handle black		4BM1
M-padlock device 67 x 67 mm, mounting form 435M4 Escutcheon yellow, padlockable handle red		4BM4
Additional top escutcheon plate		FAZ2 - 8041
Terminal cover, 3 pole	H400-A 1x / -D 2x	TCA4
Terminal cover, each additional single pole	H400-A/ -D	TCB4

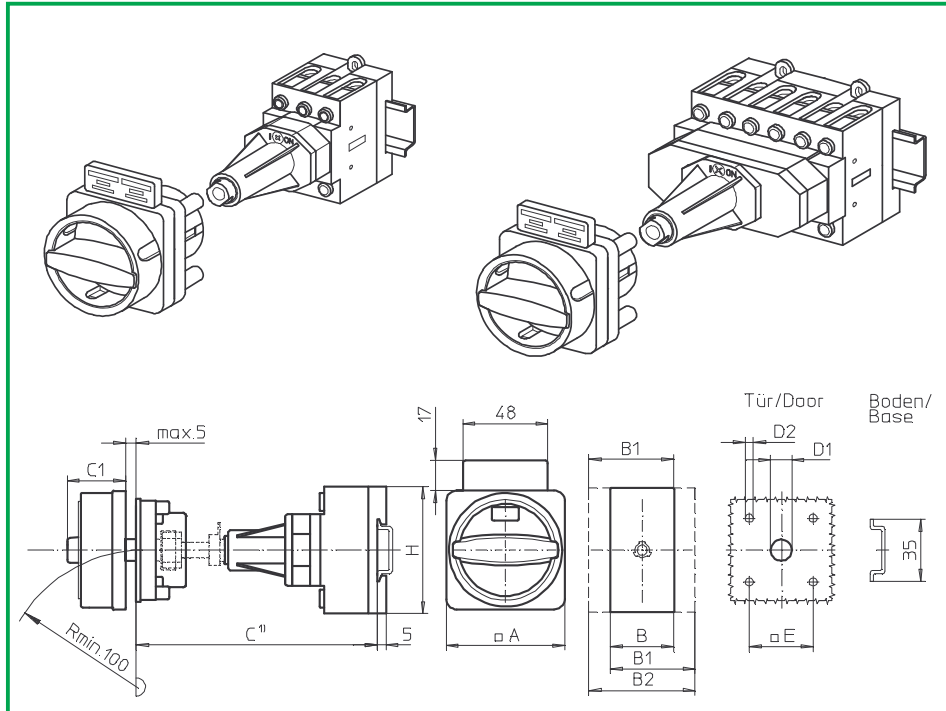
Dimensions (mm)

Product lines	A	B	B1	B2	C1	D1	D2	E	H
H400-A	67	70	89	108	38	15	5	48	80
H400-D	67	140	159	178	38	15	5	48	80

C¹⁾ Internal depth, inside of door to top of DIN rail. Metal shaft is not included. Please order separately. See page B8-8.

Base Mounting Switches

sälzer



Product lines
H400-A/ -D

Base mounting switch

Door interlock
Metal shaft extension

Four hole mounting
48 x 48 mm front

435N1 (IP66)
435N4 (IP66)

Complete switch	Poles	Product line	Rated data (IEC 60947)			Order code number
			Operational current I _e	Operational power at 380–440 V		
			AC-21A A	AC-23A kW	AC-3 kW	
Main Switches OFF position padlockable 09h	3 ... 8	H400-A/ -D	63	22	18,5	H406 - 41 ... - 435N1
			80	30	22	H408 - 41 ... - 435N1
			100	37	30	H410 - 41 ... - 435N1
			125	45	37	H412 - 41 ... - 435N1
Main/Emergency-Off Switches OFF position padlockable 09h	3 ... 8	H400-A/ -D	63	22	18,5	H406 - 41 ... - 435N4
			80	30	22	H408 - 41 ... - 435N4
			100	37	30	H410 - 41 ... - 435N4
			125	45	37	H412 - 41 ... - 435N4

SMD modules for basic switch A02

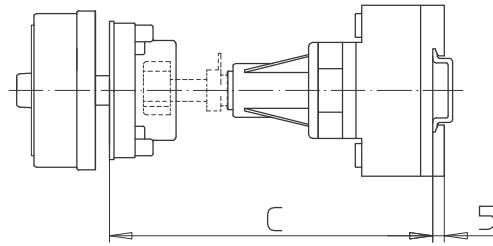
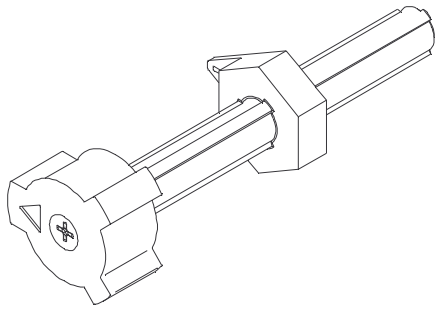
Mounting form module for 435N.	H400-A/ -D	BFA4 - 435
N-padlock device 67 x 67 mm, mounting form 435N1 Escutcheon black, padlockable handle black		4BN1
N-padlock device 67 x 67 mm, mounting form 435N4 Escutcheon yellow, padlockable handle red		4BN4
Additional top escutcheon plate		FAZ2 - 8041
Terminal cover, 3 pole	H400-A 1x / -D 2x	TCA4
Terminal cover, each additional single pole	H400-A/ -D	TCB4

Dimensions (mm)

Product lines	A	B	B1	B2	C1	D1	D2	E	H
H400-A	67	70	89	108	33	15	5	48	80
H400-D	67	140	159	178	33	15	5	48	80

C¹⁾ Internal depth, inside of door to top of DIN rail. Metal shaft is not included. Please order separately. See page B8-8.

Metal shaft extension



Product lines
H400-A/ -D/ -E

Base mounting switch

Door interlock
Metal shaft extension

Four hole mounting
front

AVB8 - . . .

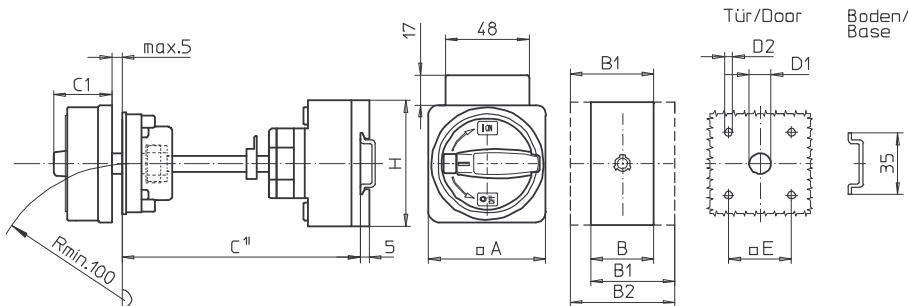
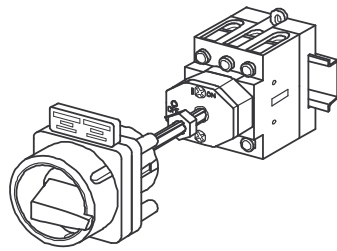
Metal shaft extension for mounting forms with door interlock and four hole mounting front

Dimension C (Internal depth, inside of door to top of DIN rail)

H400-A	H400-D/ -E	Order code number
150 . . . 174mm	163 . . . 187 mm	AVB8 - 065
175 . . . 199mm	188 . . . 212 mm	AVB8 - 090
200 . . . 224mm	213 . . . 237 mm	AVB8 - 115
225 . . . 249 mm	238 . . . 262 mm	AVB8 - 140
250 . . . 274 mm	263 . . . 287 mm	AVB8 - 165
275 . . . 299 mm	288 . . . 312 mm	AVB8 - 190
300 . . . 324 mm	313 . . . 337 mm	AVB8 - 215
325 . . . 349 mm	338 . . . 362 mm	AVB8 - 240
350 . . . 374 mm	363 . . . 387 mm	AVB8 - 265
375 . . . 399 mm	388 . . . 412 mm	AVB8 - 290
400 . . . 424 mm	413 . . . 437 mm	AVB8 - 315
425 . . . 449 mm	438 . . . 462 mm	AVB8 - 340
450 . . . 474 mm	463 . . . 487 mm	AVB8 - 365
475 . . . 499 mm	488 . . . 512 mm	AVB8 - 390
500 . . . 524 mm	513 . . . 537 mm	AVB8 - 415
525 . . . 549 mm	538 . . . 562 mm	AVB8 - 440
550 . . . 574 mm	563 . . . 587 mm	AVB8 - 465
575 . . . 599 mm	588 . . . 612 mm	AVB8 - 490
600 . . . 624 mm	613 . . . 637 mm	AVB8 - 515
625 . . . 649 mm	638 . . . 662 mm	AVB8 - 540

Base Mounting Switches

sälzer



**Product line
H400-A**

Base mounting switch

Door interlock

Metal shaft extension with fixed metal shaft, C = 105 mm

Four hole mounting

48 x 48 mm front

487M1 (IP66)

487M4 (IP66)

Complete switch	Poles	Product line	Rated data (IEC 60947)			Order code number
			Operational current I _e	Operational power at 380–440 V		
			AC-21A A	AC-23A kW	AC-3 kW	
Main Switches OFF position padlockable 09h	3 ... 4	H400-A	63	22	18,5	H406 - 41 ... - 487M1
			80	30	22	H408 - 41 ... - 487M1
			100	37	30	H410 - 41 ... - 487M1
			125	45	37	H412 - 41 ... - 487M1
Main/Emergency-Off Switches OFF position padlockable 09h	3 ... 4	H400-A	63	22	18,5	H406 - 41 ... - 487M4
			80	30	22	H408 - 41 ... - 487M4
			100	37	30	H410 - 41 ... - 487M4
			125	45	37	H412 - 41 ... - 487M4

SMD modules for basic switch A02

Mounting form module for 487M.	H400-A	BFA4 - 487
M-padlock device 88 x 88 mm, mounting form 487M1 Escutcheon black, padlockable handle black		4CM1
M-padlock device 88 x 88 mm, mounting form 487M4 Escutcheon yellow, padlockable handle red		4CM4
Additional top escutcheon plate		FAZ2 - 8041
Terminal cover, 3 pole	H400-A 1x	TCA4
Terminal cover, each additional single pole	H400-A	TCB4

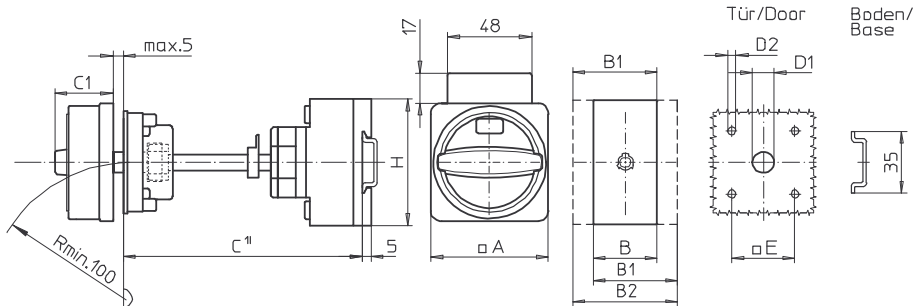
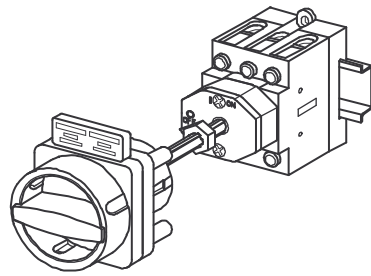
Dimensions (mm)

Product line	A	B	B1	B2	C	C1	D1	D2	E	H
H400-A	88	70	89	108	105	50	15	5	48	80

C¹⁾ Internal depth, inside of door to top of DIN rail.

Base Mounting Switches

sälzer



Product line
H400-A

Base mounting switch

Door interlock

Metal shaft extension with fixed metal shaft, C = 105 mm

Four hole mounting

48 x 48 mm front

487N1 (IP66)

487N4 (IP66)

Complete switch	Poles	Product line	Rated data (IEC 60947)			Order code number
			Operational current I _e	Operational power at 380–440 V		
			AC-21A A	AC-23A kW	AC-3 kW	
Main Switches OFF position padlockable 09h	3 ... 4	H400-A	63	22	18,5	H406 - 41 ... - 487N1
			80	30	22	H408 - 41 ... - 487N1
			100	37	30	H410 - 41 ... - 487N1
			125	45	37	H412 - 41 ... - 487N1
Main/Emergency-Off Switches OFF position padlockable 09h	3 ... 4	H400-A	63	22	18,5	H406 - 41 ... - 487N4
			80	30	22	H408 - 41 ... - 487N4
			100	37	30	H410 - 41 ... - 487N4
			125	45	37	H412 - 41 ... - 487N4

SMD modules for basic switch A02

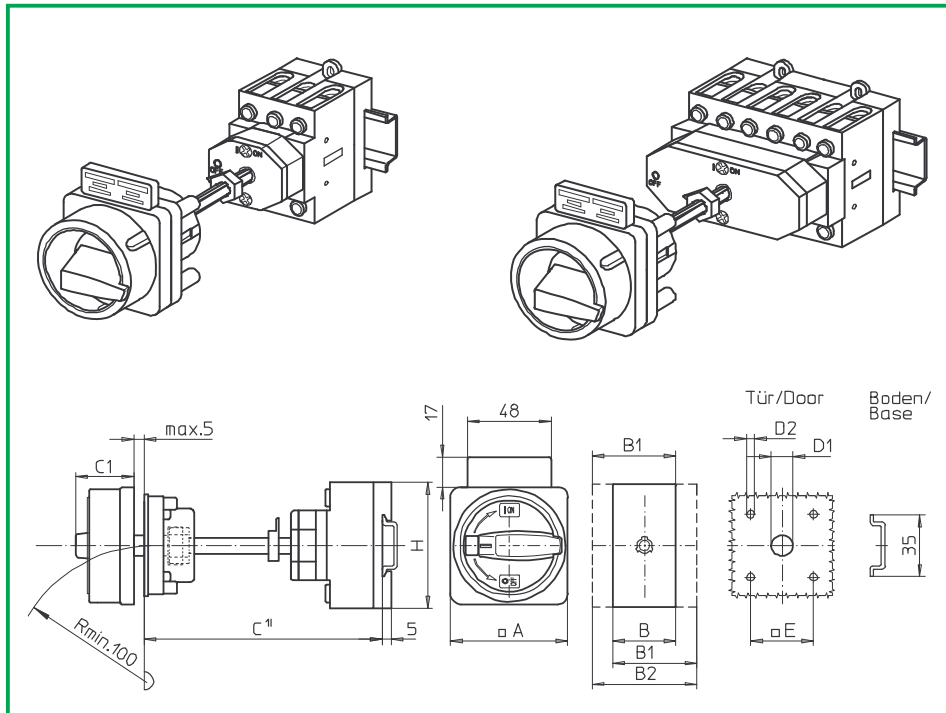
Mounting form module for 487N.	H400-A	BFA4 - 487
N-padlock device 88 x 88 mm, mounting form 487N1 Escutcheon black, padlockable handle black		4CN1
N-padlock device 88 x 88 mm, mounting form 487N4 Escutcheon yellow, padlockable handle red		4CN4
Additional top escutcheon plate		FAZ2 - 8041
Terminal cover, 3 pole	H400-A 1x	TCA4
Terminal cover, each additional single pole	H400-A	TCB4

Dimensions (mm)

Product line	A	B	B1	B2	C	C1	D1	D2	E	H
H400-A	88	70	89	108	105	45	15	5	48	80

C¹) Internal depth, inside of door to top of DIN rail.

Base Mounting Switches



Product lines
H400-A/ -D

Base mounting switch

Door interlock

Metal shaft extension with fixed metal shaft, C = 110 mm

Four hole mounting

48 x 48 mm front

488M1 (IP66)

488M4 (IP66)

Complete switch	Poles	Product line	Rated data (IEC 60947)			Order code number
			Operational current I _e	Operational power at 380–440 V		
			AC-21A A	AC-23A kW	AC-3 kW	
Main Switches OFF position padlockable 09h	3 ... 8	H400-A/ -D	63	22	18,5	H406 - 41 ... - 488M1
			80	30	22	H408 - 41 ... - 488M1
			100	37	30	H410 - 41 ... - 488M1
			125	45	37	H412 - 41 ... - 488M1
Main/Emergency-Off Switches OFF position padlockable 09h	3 ... 8	H400-A/ -D	63	22	18,5	H406 - 41 ... - 488M4
			80	30	22	H408 - 41 ... - 488M4
			100	37	30	H410 - 41 ... - 488M4
			125	45	37	H412 - 41 ... - 488M4

SMD modules for basic switch A02

Mounting form module for 488M.

H400-A
H400-D

BFA4 - 488
BFB4 - 488

M-padlock device 88 x 88 mm, mounting form 488M1
Escutcheon black, padlockable handle black

4CM1

M-padlock device 88 x 88 mm, mounting form 488M4
Escutcheon yellow, padlockable handle red

4CM4

Additional top escutcheon plate

FAZ2 - 8041

Terminal cover, 3 pole

H400-A 1x / -D 2x

TCA4

Terminal cover, each additional single pole

H400-A/ -D

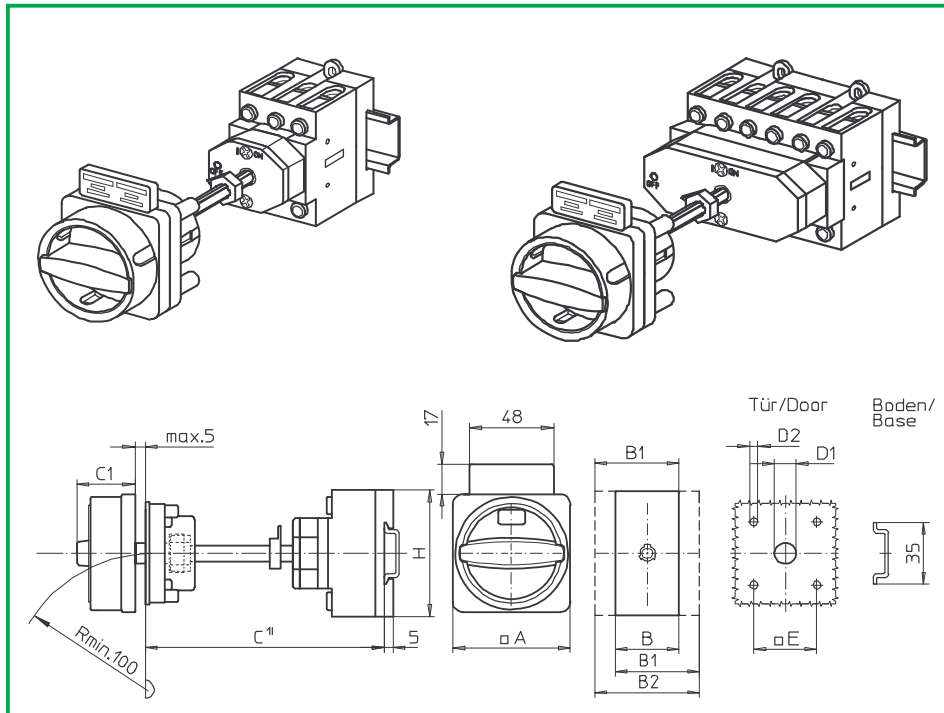
TCB4

Dimensions (mm)

Product lines	A	B	B1	B2	C	C1	D1	D2	E	H
H400-A	88	70	89	108	110	50	15	5	48	80
H400-D	88	140	159	178	110	50	15	5	48	80

C¹⁾ Internal depth, inside of door to top of DIN rail.

Base Mounting Switches



Product lines
H400-A/ -D

Base mounting switch

Door interlock

Metal shaft extension with fixed metal shaft, C = 110 mm

Four hole mounting

48 x 48 mm front

488N1 (IP66)

488N4 (IP66)

Complete switch	Poles	Product line	Rated data (IEC 60947)			Order code number
			Operational current I _e	Operational power at 380–440 V		
			AC-21A A	AC-23A kW	AC-3 kW	
Main Switches OFF position padlockable 09h	3 ... 8	H400-A/ -D	63	22	18,5	H406 - 41 ... - 488N1
			80	30	22	H408 - 41 ... - 488N1
			100	37	30	H410 - 41 ... - 488N1
			125	45	37	H412 - 41 ... - 488N1
Main/Emergency-Off Switches OFF position padlockable 09h	3 ... 8	H400-A/ -D	63	22	18,5	H406 - 41 ... - 488N4
			80	30	22	H408 - 41 ... - 488N4
			100	37	30	H410 - 41 ... - 488N4
			125	45	37	H412 - 41 ... - 488N4

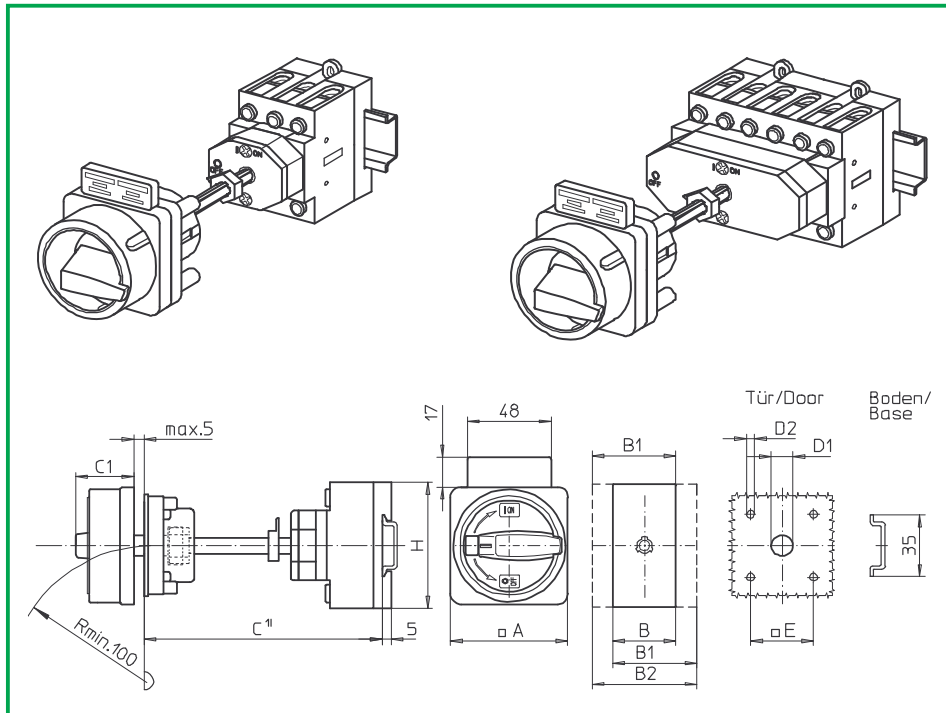
SMD modules for basic switch A02		
Mounting form module for 488N.	H400-A H400-D	BFA4 - 488 BFB4 - 488
N-padlock device 88 x 88 mm, mounting form 488N1 Escutcheon black, padlockable handle black		4CN1
N-padlock device 88 x 88 mm, mounting form 488N4 Escutcheon yellow, padlockable handle red		4CN4
Additional top escutcheon plate		FAZ2 - 8041
Terminal cover, 3 pole	H400-A 1x / -D 2x	TCA4
Terminal cover, each additional single pole	H400-A/ -D	TCB4

Dimensions (mm)										
Product lines	A	B	B1	B2	C	C1	D1	D2	E	H
H400-A	88	70	89	108	110	45	15	5	48	80
H400-D	88	140	159	178	110	45	15	5	48	80

C¹⁾ Internal depth, inside of door to top of DIN rail.

Base Mounting Switches

sälzer



Product lines
H400-A/ -D

Base mounting switch

Door interlock

Metal shaft extension with fixed metal shaft, C = 115 mm

Four hole mounting

48 x 48 mm front

489M1 (IP66)

489M4 (IP66)

Complete switch	Poles	Product line	Rated data (IEC 60947)			Order code number
			Operational current I _e	Operational power at 380–440 V		
			AC-21A A	AC-23A kW	AC-3 kW	
Main Switches OFF position padlockable 09h	3 ... 8	H400-A/ -D	63	22	18,5	H406 - 41 ... - 489M1
			80	30	22	H408 - 41 ... - 489M1
			100	37	30	H410 - 41 ... - 489M1
			125	45	37	H412 - 41 ... - 489M1
Main/Emergency-Off Switches OFF position padlockable 09h	3 ... 8	H400-A/ -D	63	22	18,5	H406 - 41 ... - 489M4
			80	30	22	H408 - 41 ... - 489M4
			100	37	30	H410 - 41 ... - 489M4
			125	45	37	H412 - 41 ... - 489M4

SMD modules for basic switch A02

Mounting form module for 489M.

H400-A
H400-D

BFA4 - 489
BFB4 - 489

M-padlock device 88 x 88 mm, mounting form 489M1
Escutcheon black, padlockable handle black

4CM1

M-padlock device 88 x 88 mm, mounting form 489M4
Escutcheon yellow, padlockable handle red

4CM4

Additional top escutcheon plate

FAZ2 - 8041

Terminal cover, 3 pole

H400-A 1x / -D 2x

TCA4

Terminal cover, each additional single pole

H400-A/ -D

TCB4

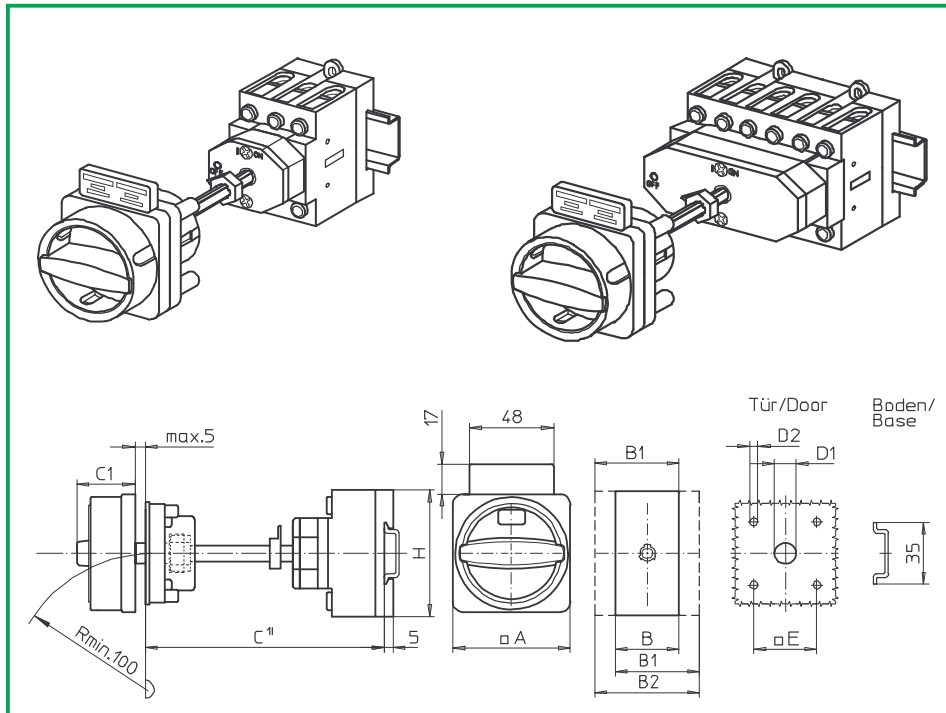
Dimensions (mm)

Product lines	A	B	B1	B2	C	C1	D1	D2	E	H
H400-A	88	70	89	108	115	50	15	5	48	80
H400-D	88	140	159	178	115	50	15	5	48	80

C¹⁾ Internal depth, inside of door to top of DIN rail.

Base Mounting Switches

sälzer



Product lines
H400-A/ -D

Base mounting switch

Door interlock

Metal shaft extension with fixed metal shaft, C = 115 mm

Four hole mounting

48 x 48 mm front

489N1 (IP66)

489N4 (IP66)

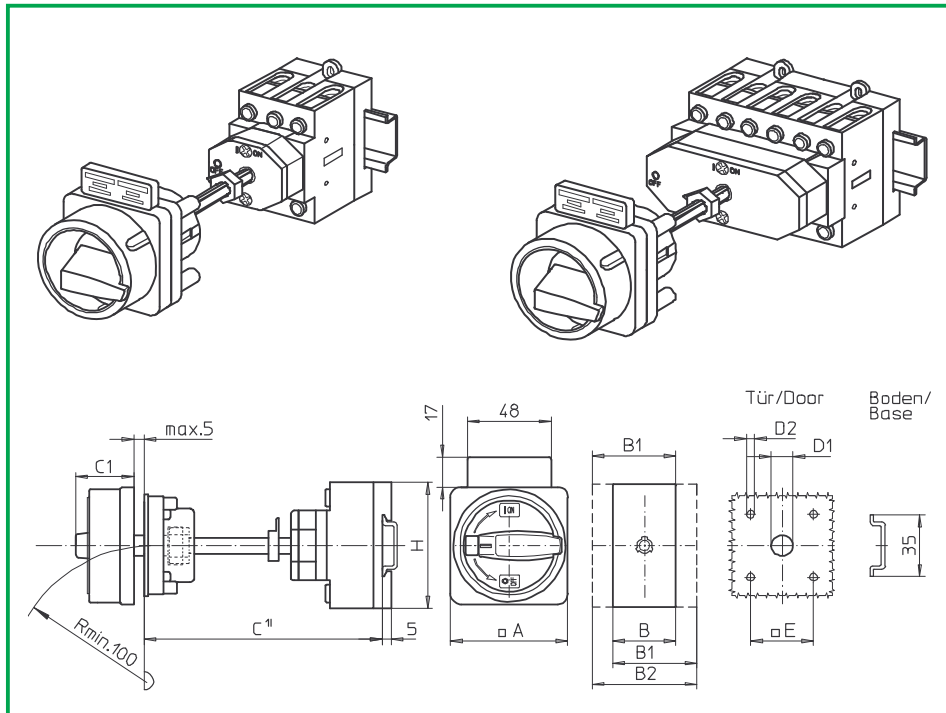
Complete switch	Poles	Product line	Rated data (IEC 60947)			Order code number
			Operational current I _e	Operational power at 380–440 V		
			AC-21A A	AC-23A kW	AC-3 kW	
Main Switches OFF position padlockable 09h	3 ... 8	H400-A/ -D	63	22	18,5	H406 - 41 ... - 489N1
			80	30	22	H408 - 41 ... - 489N1
			100	37	30	H410 - 41 ... - 489N1
			125	45	37	H412 - 41 ... - 489N1
Main/Emergency-Off Switches OFF position padlockable 09h	3 ... 8	H400-A/ -D	63	22	18,5	H406 - 41 ... - 489N4
			80	30	22	H408 - 41 ... - 489N4
			100	37	30	H410 - 41 ... - 489N4
			125	45	37	H412 - 41 ... - 489N4

SMD modules for basic switch A02		
Mounting form module for 489N.	H400-A H400-D	BFA4 - 489 BFB4 - 489
N-padlock device 88 x 88 mm, mounting form 489N1 Escutcheon black, padlockable handle black		4CN1
N-padlock device 88 x 88 mm, mounting form 489N4 Escutcheon yellow, padlockable handle red		4CN4
Additional top escutcheon plate		FAZ2 - 8041
Terminal cover, 3 pole	H400-A 1x / -D 2x	TCA4
Terminal cover, each additional single pole	H400-A/ -D	TCB4

Dimensions (mm)										
Product lines	A	B	B1	B2	C	C1	D1	D2	E	H
H400-A	88	70	89	108	115	45	15	5	48	80
H400-D	88	140	159	178	115	45	15	5	48	80

C¹⁾ Internal depth, inside of door to top of DIN rail.

Base Mounting Switches



Product lines
H400-A/ -D

Base mounting switch

Door interlock

Metal shaft extension with fixed metal shaft, C = 120 mm

Four hole mounting

48 x 48 mm front

490M1 (IP66)

490M4 (IP66)

Complete switch	Poles	Product line	Rated data (IEC 60947)			Order code number
			Operational current I _e	Operational power at 380–440 V		
			AC-21A A	AC-23A kW	AC-3 kW	
Main Switches OFF position padlockable 09h	3 ... 8	H400-A/ -D	63	22	18,5	H406 - 41 ... - 490M1
			80	30	22	H408 - 41 ... - 490M1
			100	37	30	H410 - 41 ... - 490M1
			125	45	37	H412 - 41 ... - 490M1
Main/Emergency-Off Switches OFF position padlockable 09h	3 ... 8	H400-A/ -D	63	22	18,5	H406 - 41 ... - 490M4
			80	30	22	H408 - 41 ... - 490M4
			100	37	30	H410 - 41 ... - 490M4
			125	45	37	H412 - 41 ... - 490M4

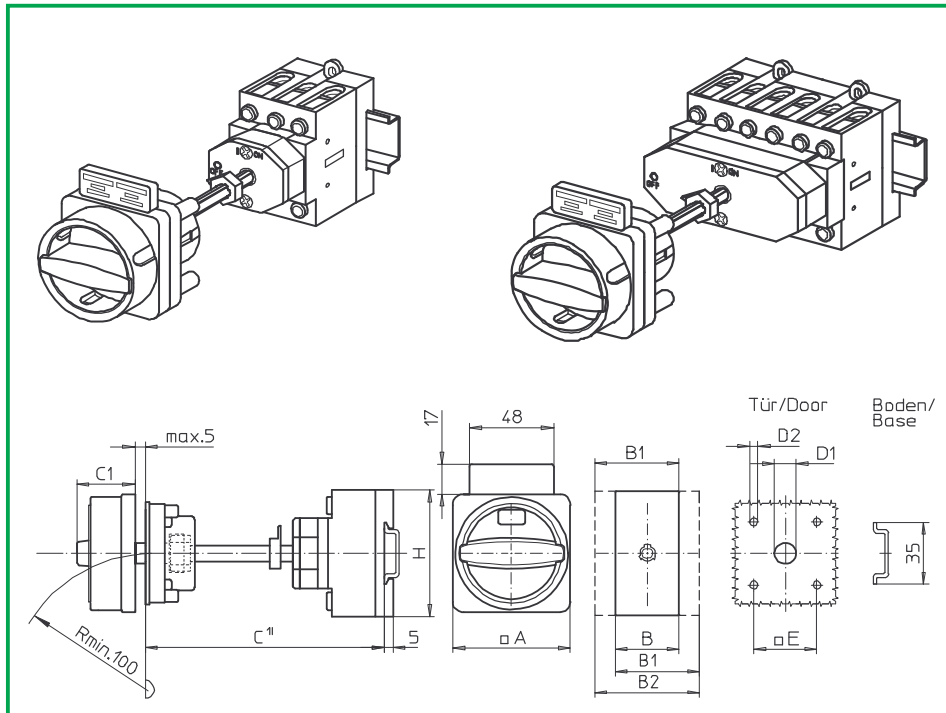
SMD modules for basic switch A02		
Mounting form module for 490M.	H400-A H400-D	BFA4 - 490 BFB4 - 490
M-padlock device 88 x 88 mm, mounting form 490M1 Escutcheon black, padlockable handle black		4CM1
M-padlock device 88 x 88 mm, mounting form 490M4 Escutcheon yellow, padlockable handle red		4CM4
Additional top escutcheon plate		FAZ2 - 8041
Terminal cover, 3 pole	H400-A 1x / -D 2x	TCA4
Terminal cover, each additional single pole	H400-A/ -D	TCB4

Dimensions (mm)										
Product lines	A	B	B1	B2	C	C1	D1	D2	E	H
H400-A	88	70	89	108	120	50	15	5	48	80
H400-D	88	140	159	178	120	50	15	5	48	80

C¹) Internal depth, inside of door to top of DIN rail.

Base Mounting Switches

sälzer



Product lines
H400-A/ -D

Base mounting switch

Door interlock

Metal shaft extension with fixed metal shaft, C = 120 mm

Four hole mounting

48 x 48 mm front

490N1 (IP66)

490N4 (IP66)

Complete switch	Poles	Product line	Rated data (IEC 60947)			Order code number
			Operational current I _e	Operational power at 380–440 V		
			AC-21A A	AC-23A kW	AC-3 kW	
Main Switches OFF position padlockable 09h	3 ... 8	H400-A/ -D	63	22	18,5	H406 - 41 ... - 490N1
			80	30	22	H408 - 41 ... - 490N1
			100	37	30	H410 - 41 ... - 490N1
			125	45	37	H412 - 41 ... - 490N1
Main/Emergency-Off Switches OFF position padlockable 09h	3 ... 8	H400-A/ -D	63	22	18,5	H406 - 41 ... - 490N4
			80	30	22	H408 - 41 ... - 490N4
			100	37	30	H410 - 41 ... - 490N4
			125	45	37	H412 - 41 ... - 490N4

SMD modules for basic switch A02

Mounting form module for 490N.

H400-A
H400-D

BFA4 - 490
BFB4 - 490

N-padlock device 88 x 88 mm, mounting form 490N1
Escutcheon black, padlockable handle black

4CN1

N-padlock device 88 x 88 mm, mounting form 490N4
Escutcheon yellow, padlockable handle red

4CN4

Additional top escutcheon plate

FAZ2 - 8041

Terminal cover, 3 pole

H400-A 1x / -D 2x

TCA4

Terminal cover, each additional single pole

H400-A/ -D

TCB4

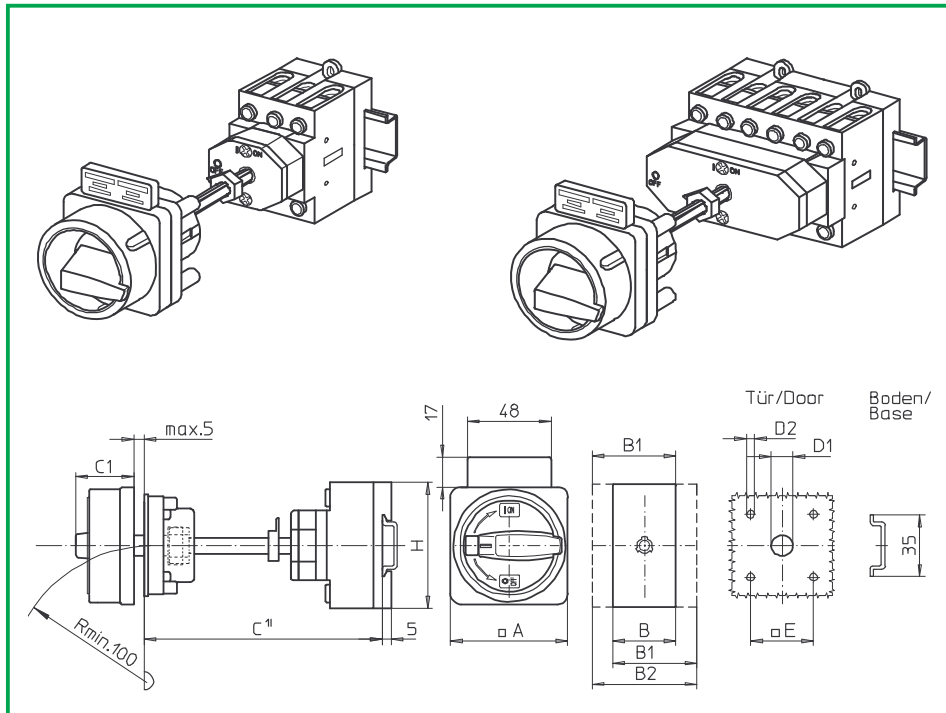
Dimensions (mm)

Product lines	A	B	B1	B2	C	C1	D1	D2	E	H
H400-A	88	70	89	108	120	45	15	5	48	80
H400-D	88	140	159	178	120	45	15	5	48	80

C¹⁾ Internal depth, inside of door to top of DIN rail.

Base Mounting Switches

sälzer



Product lines
H400-A/ -D

Base mounting switch

Door interlock

Metal shaft extension with fixed metal shaft, C =125 mm

Four hole mounting

48 x 48 mm front

491M1 (IP66)

491M4 (IP66)

Complete switch	Poles	Product line	Rated data (IEC 60947)			Order code number
			Operational current I _e	Operational power at 380–440 V		
			AC-21A A	AC-23A kW	AC-3 kW	
Main Switches OFF position padlockable 09h	3 ... 8	H400-A/ -D	63	22	18,5	H406 - 41 ... - 491M1
			80	30	22	H408 - 41 ... - 491M1
			100	37	30	H410 - 41 ... - 491M1
			125	45	37	H412 - 41 ... - 491M1
Main/Emergency-Off Switches OFF position padlockable 09h	3 ... 8	H400-A/ -D	63	22	18,5	H406 - 41 ... - 491M4
			80	30	22	H408 - 41 ... - 491M4
			100	37	30	H410 - 41 ... - 491M4
			125	45	37	H412 - 41 ... - 491M4

SMD modules for basic switch A02

Mounting form module for 491M.

H400-A
H400-D

BFA4 - 491
BFB4 - 491

M-padlock device 88 x 88 mm, mounting form 491M1
Escutcheon black, padlockable handle black

4CM1

M-padlock device 88 x 88 mm, mounting form 491M4
Escutcheon yellow, padlockable handle red

4CM4

Additional top escutcheon plate

FAZ2 - 8041

Terminal cover, 3 pole

H400-A 1x / -D 2x

TCA4

Terminal cover, each additional single pole

H400-A/ -D

TCB4

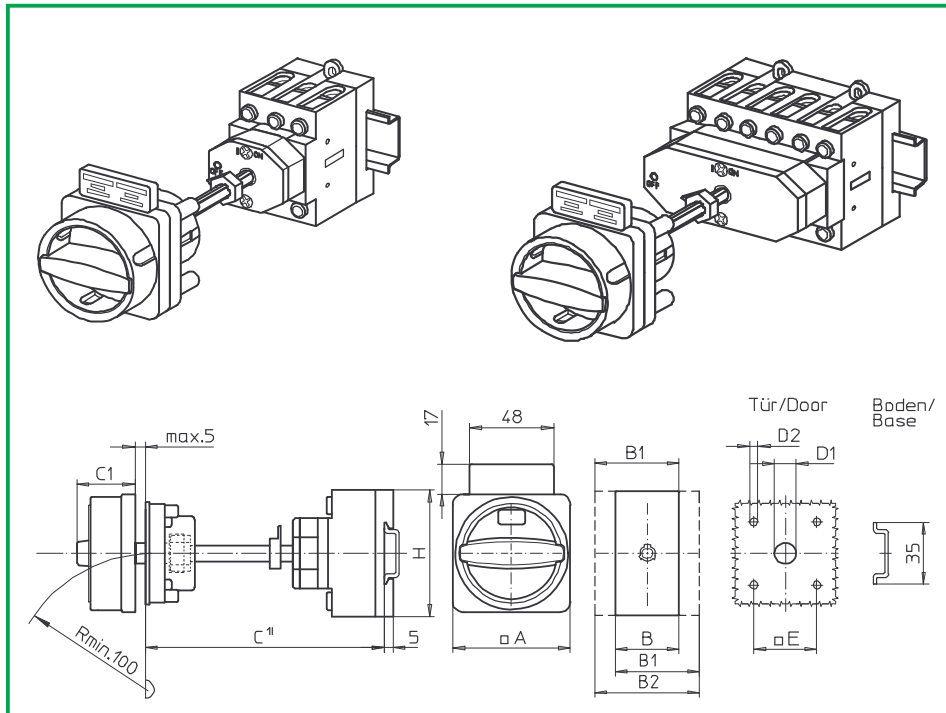
Dimensions (mm)

Product lines	A	B	B1	B2	C	C1	D1	D2	E	H
H400-A	88	70	89	108	125	50	15	5	48	80
H400-D	88	140	159	178	125	50	15	5	48	80

C¹⁾ Internal depth, inside of door to top of DIN rail.

Base Mounting Switches

sälzer



Product lines
H400-A/ -D

Base mounting switch

Door interlock

Metal shaft extension with fixed metal shaft, C = 125 mm

Four hole mounting

48 x 48 mm front

491N1 (IP66)

491N4 (IP66)

Complete switch	Poles	Product line	Rated data (IEC 60947)			Order code number
			Operational current I _e	Operational power at 380–440 V		
			AC-21A A	AC-23A kW	AC-3 kW	
Main Switches OFF position padlockable 09h	3 ... 8	H400-A/ -D	63	22	18,5	H406 - 41 ... - 491N1
			80	30	22	H408 - 41 ... - 491N1
			100	37	30	H410 - 41 ... - 491N1
			125	45	37	H412 - 41 ... - 491N1
Main/Emergency-Off Switches OFF position padlockable 09h	3 ... 8	H400-A/ -D	63	22	18,5	H406 - 41 ... - 491N4
			80	30	22	H408 - 41 ... - 491N4
			100	37	30	H410 - 41 ... - 491N4
			125	45	37	H412 - 41 ... - 491N4

SMD modules for basic switch A02

Mounting form module for 491N.

H400-A
H400-D

BFA4 - 491
BFB4 - 491

N-padlock device 88 x 88 mm, mounting form 491N1
Escutcheon black, padlockable handle black

4CN1

N-padlock device 88 x 88 mm, mounting form 491N4
Escutcheon yellow, padlockable handle red

4CN4

Additional top escutcheon plate

FAZ2 - 8041

Terminal cover, 3 pole

H400-A 1x / -D 2x

TCA4

Terminal cover, each additional single pole

H400-A/ -D

TCB4

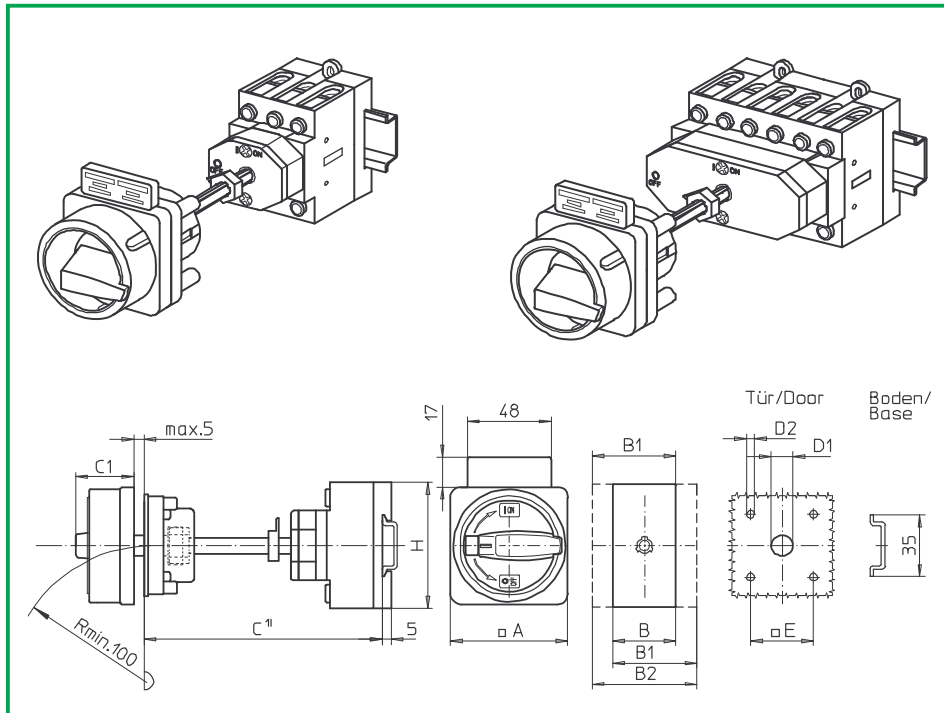
Dimensions (mm)

Product lines	A	B	B1	B2	C	C1	D1	D2	E	H
H400-A	88	70	89	108	125	45	15	5	48	80
H400-D	88	140	159	178	125	45	15	5	48	80

C¹⁾ Internal depth, inside of door to top of DIN rail.

Base Mounting Switches

sälzer



Product lines
H400-A/ -D

Base mounting switch

Door interlock

Metal shaft extension with fixed metal shaft, C = 130 mm

Four hole mounting

48 x 48 mm front

492M1 (IP66)

492M4 (IP66)

Complete switch	Poles	Product line	Rated data (IEC 60947)			Order code number
			Operational current I _e	Operational power at 380–440 V		
			AC-21A A	AC-23A kW	AC-3 kW	
Main Switches OFF position padlockable 09h	3 ... 8	H400-A/ -D	63	22	18,5	H406 - 41 ... - 492M1
			80	30	22	H408 - 41 ... - 492M1
			100	37	30	H410 - 41 ... - 492M1
			125	45	37	H412 - 41 ... - 492M1
Main/Emergency-Off Switches OFF position padlockable 09h	3 ... 8	H400-A/ -D	63	22	18,5	H406 - 41 ... - 492M4
			80	30	22	H408 - 41 ... - 492M4
			100	37	30	H410 - 41 ... - 492M4
			125	45	37	H412 - 41 ... - 492M4

SMD modules for basic switch A02

Mounting form module for 492M.

H400-A
H400-D

BFA4 - 492
BFB4 - 492

M-padlock device 88 x 88 mm, mounting form 492M1
Escutcheon black, padlockable handle black

4CM1

M-padlock device 88 x 88 mm, mounting form 492M4
Escutcheon yellow, padlockable handle red

4CM4

Additional top escutcheon plate

FAZ2 - 8041

Terminal cover, 3 pole

H400-A 1x / -D 2x

TCA4

Terminal cover, each additional single pole

H400-A/ -D

TCB4

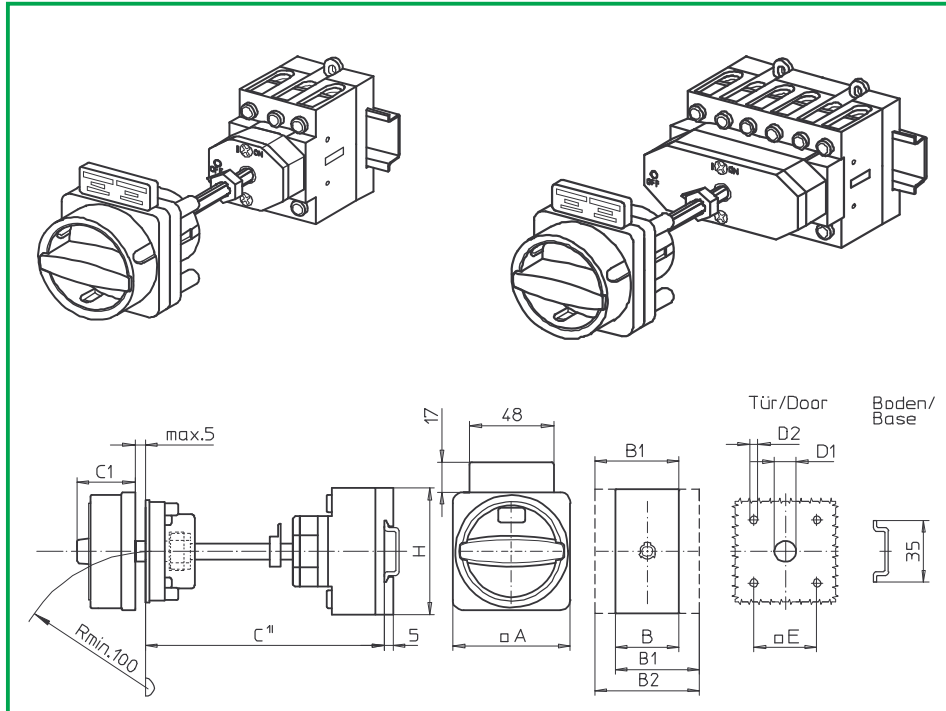
Dimensions (mm)

Product lines	A	B	B1	B2	C	C1	D1	D2	E	H
H400-A	88	70	89	108	130	50	15	5	48	80
H400-D	88	140	159	178	130	50	15	5	48	80

C¹⁾ Internal depth, inside of door to top of DIN rail.

Base Mounting Switches

sälzer



Product lines
H400-A/ -D

Base mounting switch

Door interlock

Metal shaft extension with fixed metal shaft, C = 130 mm

Four hole mounting

48 x 48 mm front

492N1 (IP66)

492N4 (IP66)

Complete switch	Poles	Product line	Rated data (IEC 60947)			Order code number
			Operational current I _e	Operational power at 380–440 V		
			AC-21A A	AC-23A kW	AC-3 kW	
Main Switches OFF position padlockable 09h	3 ... 8	H400-A/ -D	63	22	18,5	H406 - 41 ... - 492N1
			80	30	22	H408 - 41 ... - 492N1
			100	37	30	H410 - 41 ... - 492N1
			125	45	37	H412 - 41 ... - 492N1
Main/Emergency-Off Switches OFF position padlockable 09h	3 ... 8	H400-A/ -D	63	22	18,5	H406 - 41 ... - 492N4
			80	30	22	H408 - 41 ... - 492N4
			100	37	30	H410 - 41 ... - 492N4
			125	45	37	H412 - 41 ... - 492N4

SMD modules for basic switch A02

Mounting form module for 492N.

H400-A
H400-D

BFA4 - 492
BFB4 - 492

N-padlock device 88 x 88 mm, mounting form 492N1
Escutcheon black, padlockable handle black

4CN1

N-padlock device 88 x 88 mm, mounting form 492N4
Escutcheon yellow, padlockable handle red

4CN4

Additional top escutcheon plate

FAZ2 - 8041

Terminal cover, 3 pole

H400-A 1x / -D 2x

TCA4

Terminal cover, each additional single pole

H400-A/ -D

TCB4

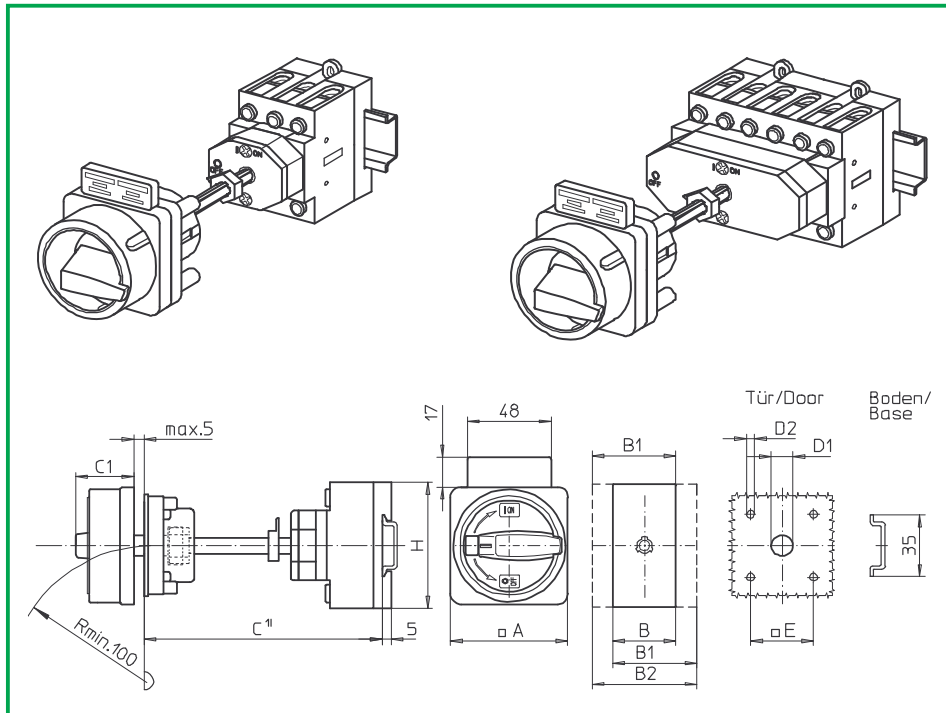
Dimensions (mm)

Product lines	A	B	B1	B2	C	C1	D1	D2	E	H
H400-A	88	70	89	108	130	45	15	5	48	80
H400-D	88	140	159	178	130	45	15	5	48	80

C¹⁾ Internal depth, inside of door to top of DIN rail.

Base Mounting Switches

sälzer



Product lines
H400-A/ -D

Base mounting switch

Door interlock

Metal shaft extension with fixed metal shaft, C = 135 mm

Four hole mounting

48 x 48 mm front

493M1 (IP66)

493M4 (IP66)

Complete switch	Poles	Product line	Rated data (IEC 60947)			Order code number
			Operational current I _e	Operational power at 380–440 V		
			AC-21A A	AC-23A kW	AC-3 kW	
Main Switches OFF position padlockable 09h	3 ... 8	H400-A/ -D	63	22	18,5	H406 - 41 ... - 493M1
			80	30	22	H408 - 41 ... - 493M1
			100	37	30	H410 - 41 ... - 493M1
			125	45	37	H412 - 41 ... - 493M1
Main/Emergency-Off Switches OFF position padlockable 09h	3 ... 8	H400-A/ -D	63	22	18,5	H406 - 41 ... - 493M4
			80	30	22	H408 - 41 ... - 493M4
			100	37	30	H410 - 41 ... - 493M4
			125	45	37	H412 - 41 ... - 493M4

SMD modules for basic switch A02

Mounting form module for 493M.

H400-A
H400-D

BFA4 - 493
BFB4 - 493

M-padlock device 88 x 88 mm, mounting form 493M1
Escutcheon black, padlockable handle black

4CM1

M-padlock device 88 x 88 mm, mounting form 493M4
Escutcheon yellow, padlockable handle red

4CM4

Additional top escutcheon plate

FAZ2 - 8041

Terminal cover, 3 pole

H400-A 1x / -D 2x

TCA4

Terminal cover, each additional single pole

H400-A/ -D

TCB4

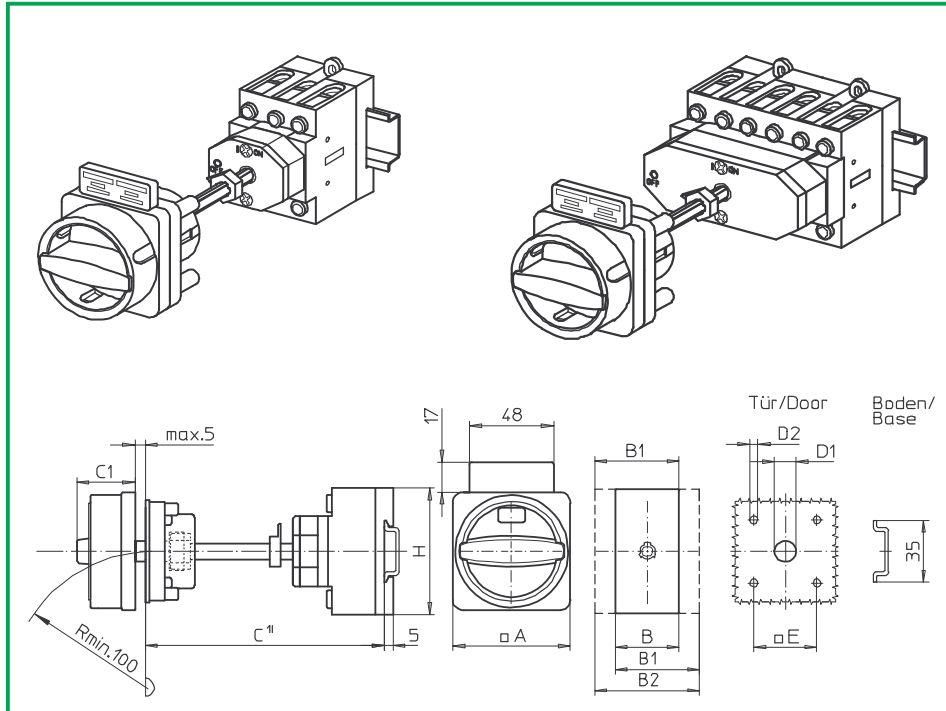
Dimensions (mm)

Product lines	A	B	B1	B2	C	C1	D1	D2	E	H
H400-A	88	70	89	108	135	50	15	5	48	80
H400-D	88	140	159	178	135	50	15	5	48	80

C¹⁾ Internal depth, inside of door to top of DIN rail.

Base Mounting Switches

sälzer



Product lines
H400-A/ -D

Base mounting switch

Door interlock

Metal shaft extension with fixed metal shaft, C = 135 mm

Four hole mounting

48 x 48 mm front

493N1 (IP66)

493N4 (IP66)

Complete switch	Poles	Product line	Rated data (IEC 60947)			Order code number
			Operational current I _e	Operational power at 380–440 V		
			AC-21A A	AC-23A kW	AC-3 kW	
Main Switches OFF position padlockable 09h	3 ... 8	H400-A/ -D	63	22	18,5	H406 - 41 ... - 493N1
			80	30	22	H408 - 41 ... - 493N1
			100	37	30	H410 - 41 ... - 493N1
			125	45	37	H412 - 41 ... - 493N1
Main/Emergency-Off Switches OFF position padlockable 09h	3 ... 8	H400-A/ -D	63	22	18,5	H406 - 41 ... - 493N4
			80	30	22	H408 - 41 ... - 493N4
			100	37	30	H410 - 41 ... - 493N4
			125	45	37	H412 - 41 ... - 493N4

SMD modules for basic switch A02

Mounting form module for 493N.

H400-A
H400-D

BFA4 - 493
BFB4 - 493

N-padlock device 88 x 88 mm, mounting form 493N1
Escutcheon black, padlockable handle black

4CN1

N-padlock device 88 x 88 mm, mounting form 493N4
Escutcheon yellow, padlockable handle red

4CN4

Additional top escutcheon plate

FAZ2 - 8041

Terminal cover, 3 pole

H400-A 1x / -D 2x

TCA4

Terminal cover, each additional single pole

H400-A/ -D

TCB4

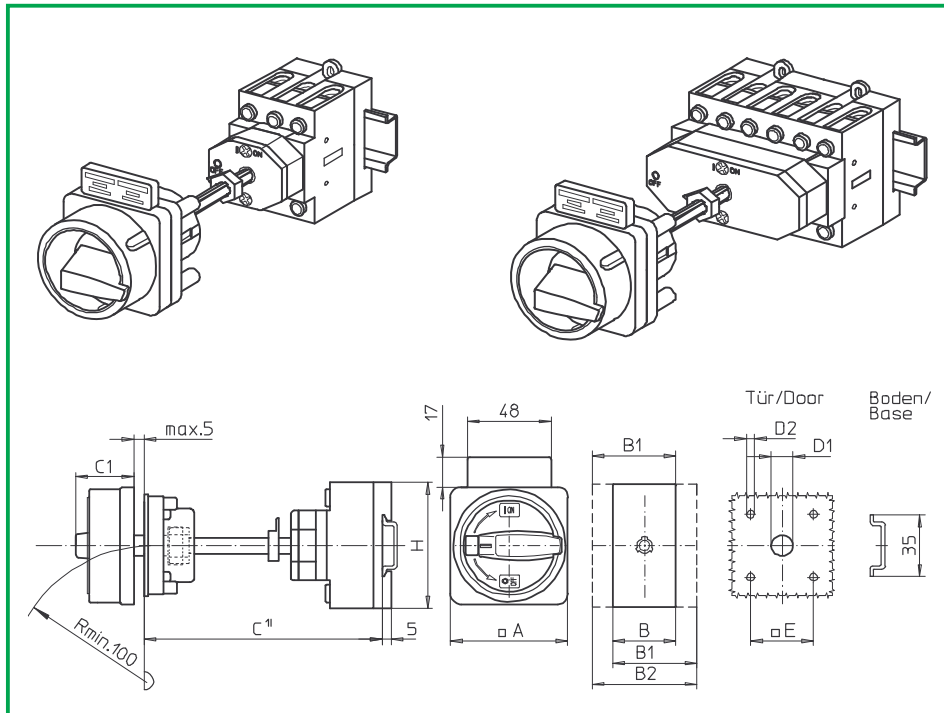
Dimensions (mm)

Product lines	A	B	B1	B2	C	C1	D1	D2	E	H
H400-A	88	70	89	108	135	45	15	5	48	80
H400-D	88	140	159	178	135	45	15	5	48	80

C¹⁾ Internal depth, inside of door to top of DIN rail.

Base Mounting Switches

sälzer



Product lines
H400-A/ -D

Base mounting switch

Door interlock

Metal shaft extension with fixed metal shaft, C = 140 mm

Four hole mounting

48 x 48 mm front

494M1 (IP66)

494M4 (IP66)

Complete switch	Poles	Product line	Rated data (IEC 60947)			Order code number
			Operational current I _e	Operational power at 380–440 V		
			AC-21A A	AC-23A kW	AC-3 kW	
Main Switches OFF position padlockable 09h	3 ... 8	H400-A/ -D	63	22	18,5	H406 - 41 ... - 494M1
			80	30	22	H408 - 41 ... - 494M1
			100	37	30	H410 - 41 ... - 494M1
			125	45	37	H412 - 41 ... - 494M1
Main/Emergency-Off Switches OFF position padlockable 09h	3 ... 8	H400-A/ -D	63	22	18,5	H406 - 41 ... - 494M4
			80	30	22	H408 - 41 ... - 494M4
			100	37	30	H410 - 41 ... - 494M4
			125	45	37	H412 - 41 ... - 494M4

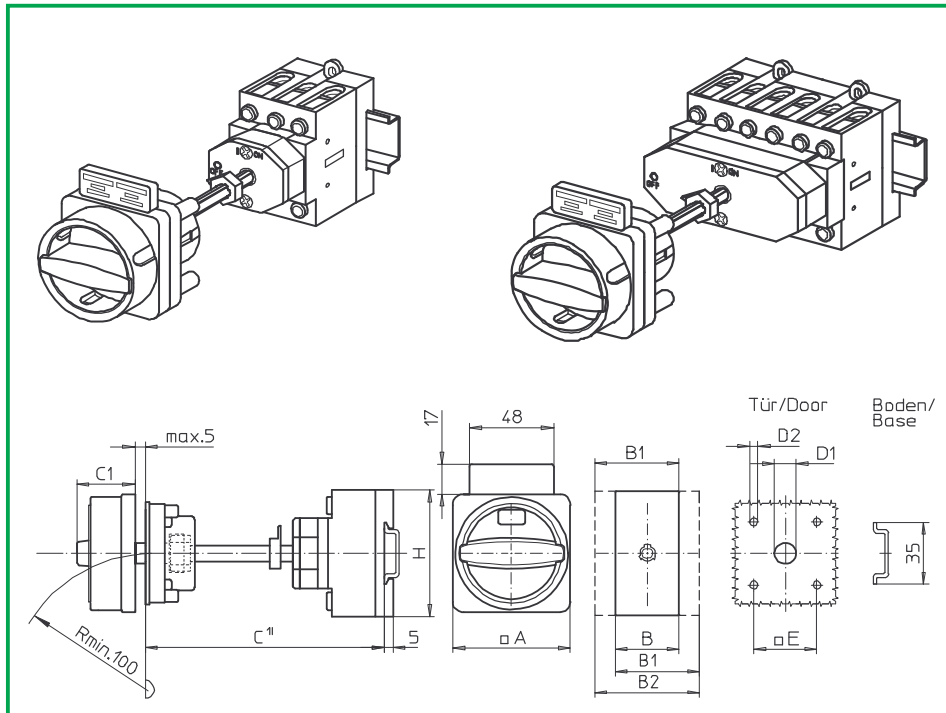
SMD modules for basic switch A02		
Mounting form module for 494M.	H400-A H400-D	BFA4 - 494 BFB4 - 494
M-padlock device 88 x 88 mm, mounting form 494M1 Escutcheon black, padlockable handle black		4CM1
M-padlock device 88 x 88 mm, mounting form 494M4 Escutcheon yellow, padlockable handle red		4CM4
Additional top escutcheon plate		FAZ2 - 8041
Terminal cover, 3 pole	H400-A 1x / -D 2x	TCA4
Terminal cover, each additional single pole	H400-A/ -D	TCB4

Dimensions (mm)										
Product lines	A	B	B1	B2	C	C1	D1	D2	E	H
H400-A	88	70	89	108	140	50	15	5	48	80
H400-D	88	140	159	178	140	50	15	5	48	80

C¹) Internal depth, inside of door to top of DIN rail.

Base Mounting Switches

sälzer



Product lines
H400-A/ -D

Base mounting switch

Door interlock

Metal shaft extension with fixed metal shaft, C = 140 mm

Four hole mounting

48 x 48 mm front

494N1 (IP66)

494N4 (IP66)

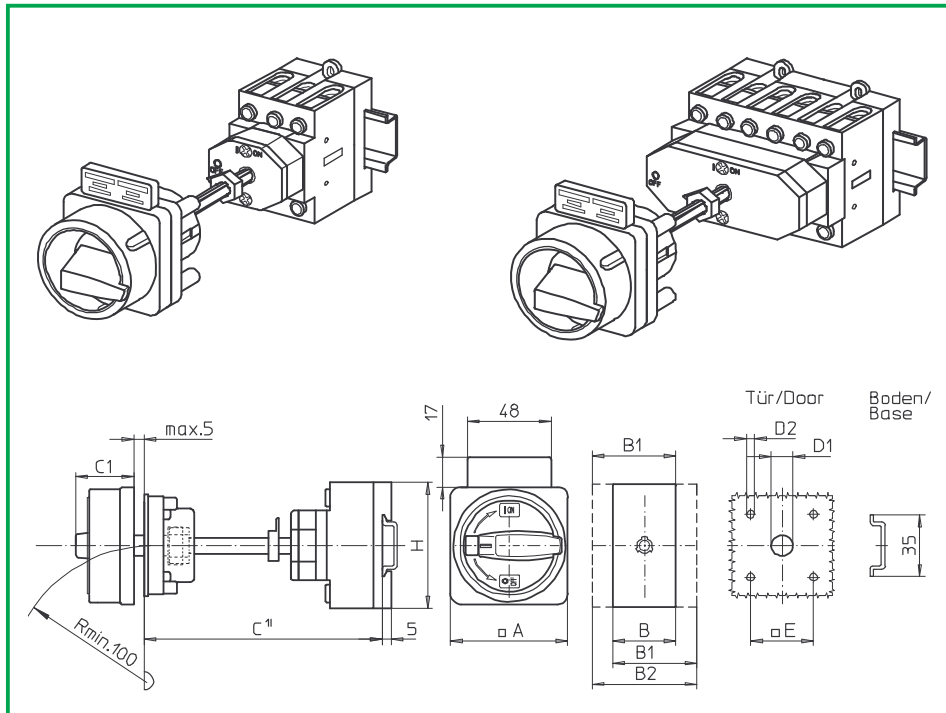
Complete switch	Poles	Product line	Rated data (IEC 60947)			Order code number
			Operational current I _e	Operational power at 380–440 V		
			AC-21A A	AC-23A kW	AC-3 kW	
Main Switches OFF position padlockable 09h	3 ... 8	H400-A/ -D	63	22	18,5	H406 - 41 ... - 494N1
			80	30	22	H408 - 41 ... - 494N1
			100	37	30	H410 - 41 ... - 494N1
			125	45	37	H412 - 41 ... - 494N1
Main/Emergency-Off Switches OFF position padlockable 09h	3 ... 8	H400-A/ -D	63	22	18,5	H406 - 41 ... - 494N4
			80	30	22	H408 - 41 ... - 494N4
			100	37	30	H410 - 41 ... - 494N4
			125	45	37	H412 - 41 ... - 494N4

SMD modules for basic switch A02		
Mounting form module for 494N.	H400-A H400-D	BFA4 - 494 BFB4 - 494
N-padlock device 88 x 88 mm, mounting form 494N1 Escutcheon black, padlockable handle black		4CN1
N-padlock device 88 x 88 mm, mounting form 494N4 Escutcheon yellow, padlockable handle red		4CN4
Additional top escutcheon plate		FAZ2 - 8041
Terminal cover, 3 pole	H400-A 1x / -D 2x	TCA4
Terminal cover, each additional single pole	H400-A/ -D	TCB4

Dimensions (mm)										
Product lines	A	B	B1	B2	C	C1	D1	D2	E	H
H400-A	88	70	89	108	140	45	15	5	48	80
H400-D	88	140	159	178	140	45	15	5	48	80

C¹⁾ Internal depth, inside of door to top of DIN rail.

Base Mounting Switches



Product lines
H400-A/ -D

Base mounting switch

Door interlock

Metal shaft extension with fixed metal shaft, C =145 mm

Four hole mounting

48 x 48 mm front

495M1 (IP66)

495M4 (IP66)

Complete switch	Poles	Product line	Rated data (IEC 60947)			Order code number
			Operational current I _e	Operational power at 380–440 V		
			AC-21A A	AC-23A kW	AC-3 kW	
Main Switches OFF position padlockable 09h	3 ... 8	H400-A/ -D	63	22	18,5	H406 - 41 ... - 495M1
			80	30	22	H408 - 41 ... - 495M1
			100	37	30	H410 - 41 ... - 495M1
			125	45	37	H412 - 41 ... - 495M1
Main/Emergency-Off Switches OFF position padlockable 09h	3 ... 8	H400-A/ -D	63	22	18,5	H406 - 41 ... - 495M4
			80	30	22	H408 - 41 ... - 495M4
			100	37	30	H410 - 41 ... - 495M4
			125	45	37	H412 - 41 ... - 495M4

SMD modules for basic switch A02

Mounting form module for 495M.

H400-A
H400-D

BFA4 - 495
BFB4 - 495

M-padlock device 88 x 88 mm, mounting form 495M1
Escutcheon black, padlockable handle black

4CM1

M-padlock device 88 x 88 mm, mounting form 495M4
Escutcheon yellow, padlockable handle red

4CM4

Additional top escutcheon plate

FAZ2 - 8041

Terminal cover, 3 pole

H400-A 1x / -D 2x

TCA4

Terminal cover, each additional single pole

H400-A/ -D

TCB4

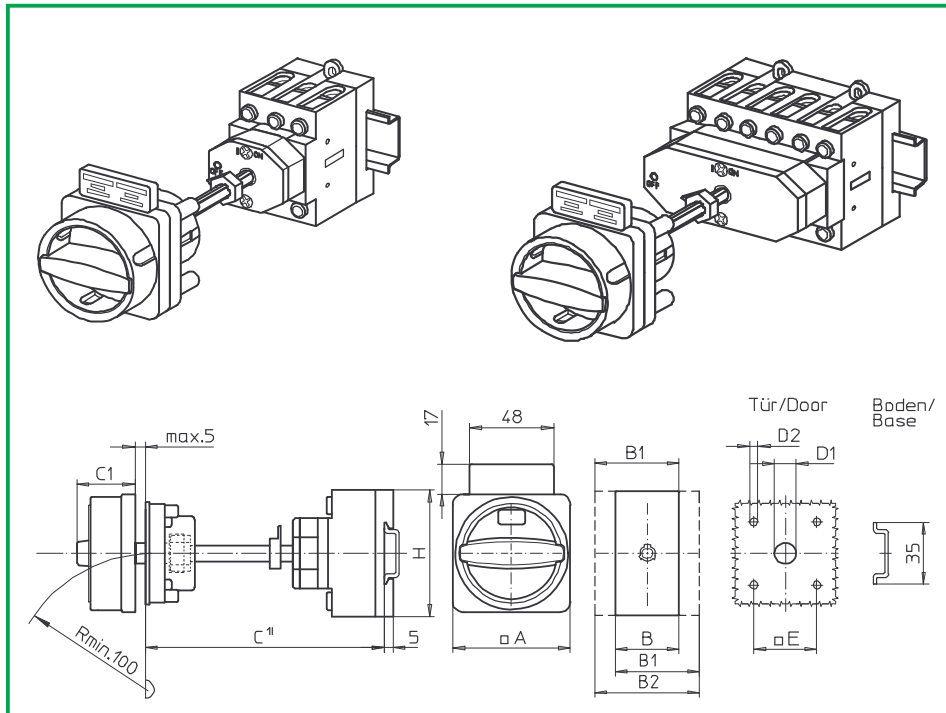
Dimensions (mm)

Product lines	A	B	B1	B2	C	C1	D1	D2	E	H
H400-A	88	70	89	108	145	50	15	5	48	80
H400-D	88	140	159	178	145	50	15	5	48	80

C¹⁾ Internal depth, inside of door to top of DIN rail.

Base Mounting Switches

sälzer



Product lines
H400-A/ -D

Base mounting switch

Door interlock

Metal shaft extension with fixed metal shaft, C = 145 mm

Four hole mounting

48 x 48 mm front

495N1 (IP66)

495N4 (IP66)

Complete switch	Poles	Product line	Rated data (IEC 60947)			Order code number
			Operational current I _e	Operational power at 380–440 V		
			AC-21A A	AC-23A kW	AC-3 kW	
Main Switches OFF position padlockable 09h	3 ... 8	H400-A/ -D	63	22	18,5	H406 - 41 ... - 495N1
			80	30	22	H408 - 41 ... - 495N1
			100	37	30	H410 - 41 ... - 495N1
			125	45	37	H412 - 41 ... - 495N1
Main/Emergency-Off Switches OFF position padlockable 09h	3 ... 8	H400-A/ -D	63	22	18,5	H406 - 41 ... - 495N4
			80	30	22	H408 - 41 ... - 495N4
			100	37	30	H410 - 41 ... - 495N4
			125	45	37	H412 - 41 ... - 495N4

SMD modules for basic switch A02

Mounting form module for 495N.

H400-A
H400-D

BFA4 - 495
BFB4 - 495

N-padlock device 88 x 88 mm, mounting form 495N1
Escutcheon black, padlockable handle black

4CN1

N-padlock device 88 x 88 mm, mounting form 495N4
Escutcheon yellow, padlockable handle red

4CN4

Additional top escutcheon plate

FAZ2 - 8041

Terminal cover, 3 pole

H400-A 1x / -D 2x

TCA4

Terminal cover, each additional single pole

H400-A/ -D

TCB4

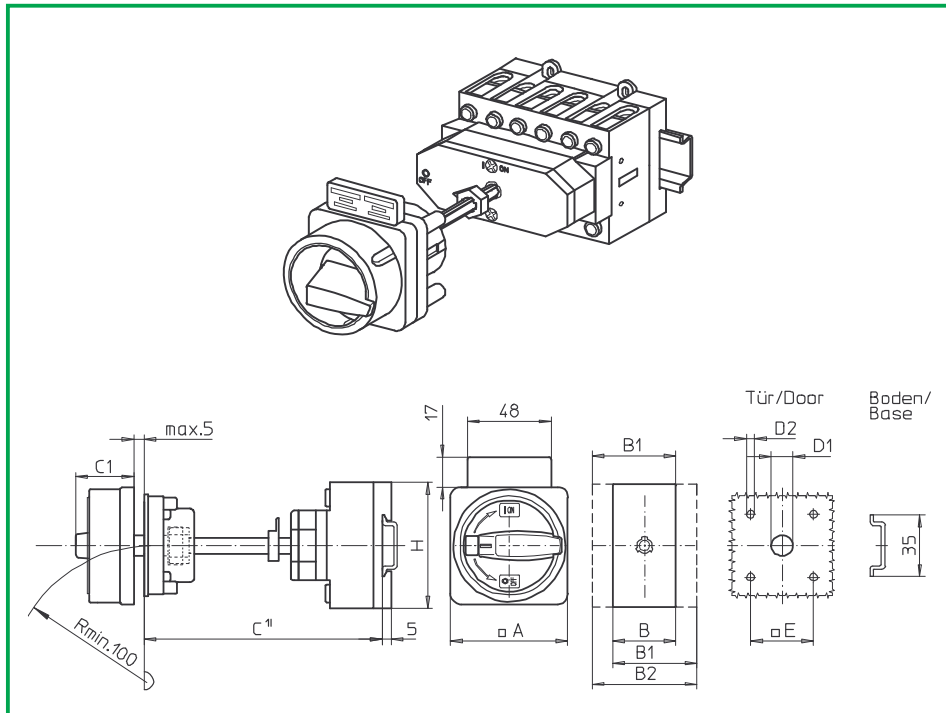
Dimensions (mm)

Product lines	A	B	B1	B2	C	C1	D1	D2	E	H
H400-A	88	70	89	108	145	45	15	5	48	80
H400-D	88	140	159	178	145	45	15	5	48	80

C¹⁾ Internal depth, inside of door to top of DIN rail.

Base Mounting Switches

sälzer



Product line
H400-D

Base mounting switch

Door interlock

Metal shaft extension with fixed metal shaft, C = 150 mm

Four hole mounting

48 x 48 mm front

496M1 (IP66)

496M4 (IP66)

Complete switch	Poles	Product line	Rated data (IEC 60947)			Order code number
			Operational current I _e	Operational power at 380–440 V		
			AC-21A A	AC-23A kW	AC-3 kW	
Main Switches OFF position padlockable 09h	6... 8	H400-D	63	22	18,5	H406 - 41 ... - 496M1
			80	30	22	H408 - 41 ... - 496M1
			100	37	30	H410 - 41 ... - 496M1
			125	45	37	H412 - 41 ... - 496M1
Main/Emergency-Off Switches OFF position padlockable 09h	6... 8	H400-D	63	22	18,5	H406 - 41 ... - 496M4
			80	30	22	H408 - 41 ... - 496M4
			100	37	30	H410 - 41 ... - 496M4
			125	45	37	H412 - 41 ... - 496M4

SMD modules for basic switch A02

Mounting form module for 496M.	H400-D	BFB4 - 496
M-padlock device 88 x 88 mm, mounting form 496M1 Escutcheon black, padlockable handle black		4CM1
M-padlock device 88 x 88 mm, mounting form 496M4 Escutcheon yellow, padlockable handle red		4CM4
Additional top escutcheon plate		FAZ2 - 8041
Terminal cover, 3 pole	H400-D 2x	TCA4
Terminal cover, each additional single pole	H400-D	TCB4

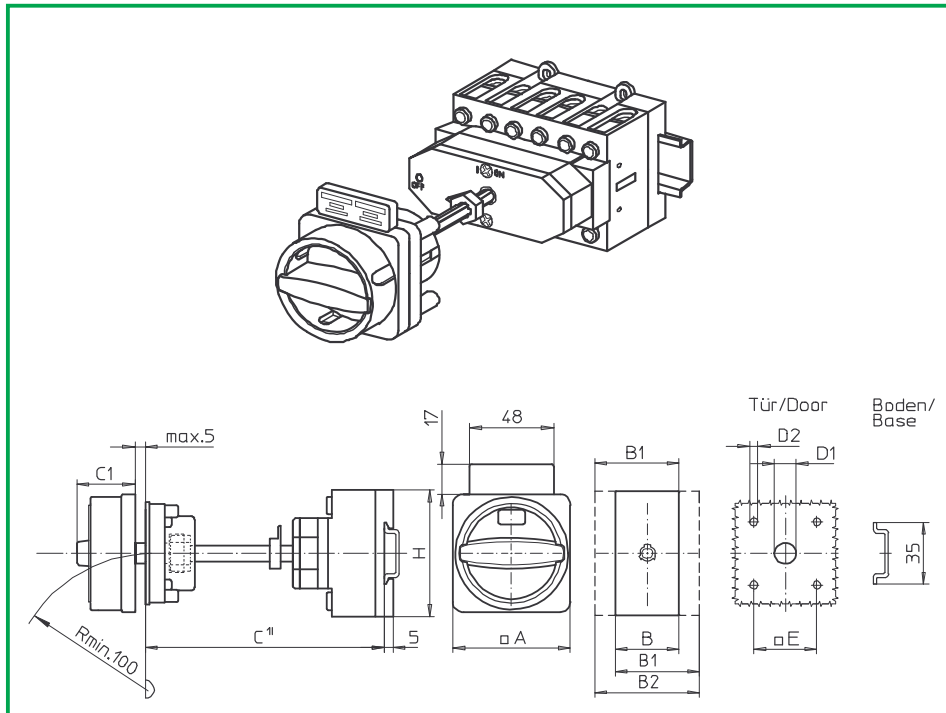
Dimensions (mm)

Product line	A	B	B1	B2	C	C1	D1	D2	E	H
H400-D	88	140	159	178	150	50	15	5	48	80

C¹) Internal depth, inside of door to top of DIN rail.

Base Mounting Switches

sälzer



**Product lines
H400-D**

Base mounting switch

Door interlock

Metal shaft extension with fixed metal shaft, C = 150 mm

Four hole mounting

48 x 48 mm front

496N1 (IP66)

496N4 (IP66)

Complete switch	Poles	Product line	Rated data (IEC 60947)			Order code number
			Operational current I _e	Operational power at 380–440 V		
			AC-21A A	AC-23A kW	AC-3 kW	
Main Switches OFF position padlockable 09h	6 ... 8	H400-D	63	22	18,5	H406 - 41 ... - 496N1
			80	30	22	H408 - 41 ... - 496N1
			100	37	30	H410 - 41 ... - 496N1
			125	45	37	H412 - 41 ... - 496N1
Main/Emergency-Off Switches OFF position padlockable 09h	6 ... 8	H400-D	63	22	18,5	H406 - 41 ... - 496N4
			80	30	22	H408 - 41 ... - 496N4
			100	37	30	H410 - 41 ... - 496N4
			125	45	37	H412 - 41 ... - 496N4

SMD modules for basic switch A02

Mounting form module for 496N.	H400-D	BFB4 - 496
N-padlock device 88 x 88 mm, mounting form 496N1 Escutcheon black, padlockable handle black		4CN1
N-padlock device 88 x 88 mm, mounting form 496N4 Escutcheon yellow, padlockable handle red		4CN4
Additional top escutcheon plate		FAZ2 - 8041
Terminal cover, 3 pole	H400-D 2x	TCA4
Terminal cover, each additional single pole	H400-D	TCB4

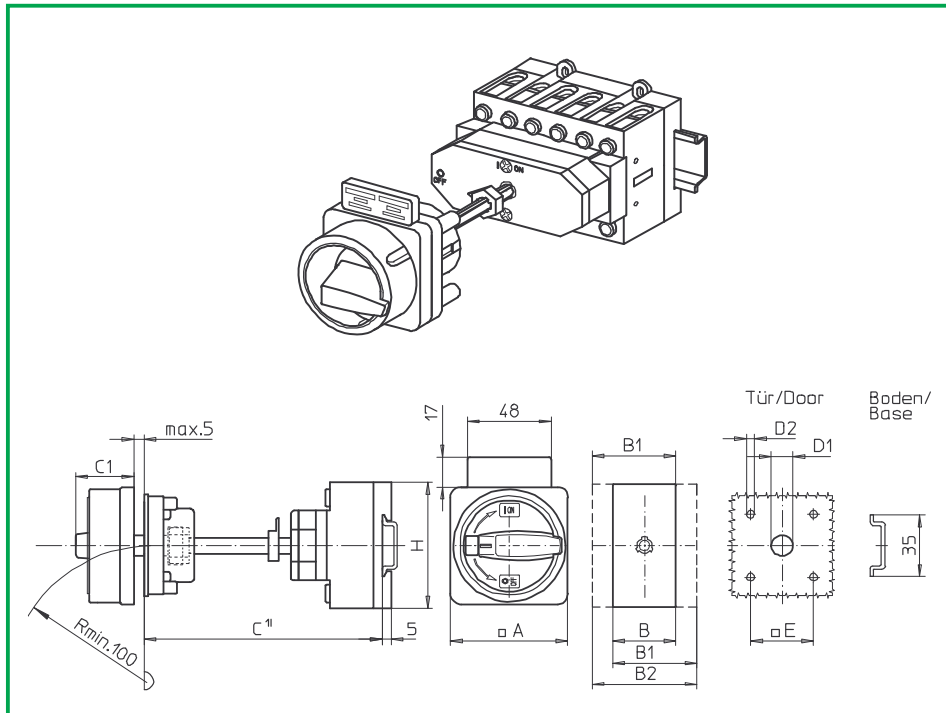
Dimensions (mm)

Product line	A	B	B1	B2	C	C1	D1	D2	E	H
H400-D	88	140	159	178	150	45	15	5	48	80

C¹⁾ Internal depth, inside of door to top of DIN rail.

Base Mounting Switches

sälzer



Product line
H400-D

Base mounting switch

Door interlock

Metal shaft extension with fixed metal shaft, C = 155 mm

Four hole mounting

48 x 48 mm front

497M1 (IP66)

497M4 (IP66)

Complete switch	Poles	Product line	Rated data (IEC 60947)			Order code number
			Operational current I _e	Operational power at 380–440 V		
			AC-21A A	AC-23A kW	AC-3 kW	
Main Switches OFF position padlockable 09h	6 ... 8	H400-D	63	22	18,5	H406 - 41 ... - 497M1
			80	30	22	H408 - 41 ... - 497M1
			100	37	30	H410 - 41 ... - 497M1
			125	45	37	H412 - 41 ... - 497M1
Main/Emergency-Off Switches OFF position padlockable 09h	6 ... 8	H400-D	63	22	18,5	H406 - 41 ... - 497M4
			80	30	22	H408 - 41 ... - 497M4
			100	37	30	H410 - 41 ... - 497M4
			125	45	37	H412 - 41 ... - 497M4

SMD modules for basic switch A02

Mounting form module for 497M.	H400-D	BFB4 - 497
M-padlock device 88 x 88 mm, mounting form 497M1 Escutcheon black, padlockable handle black		4CM1
M-padlock device 88 x 88 mm, mounting form 497M4 Escutcheon yellow, padlockable handle red		4CM4
Additional top escutcheon plate		FAZ2 - 8041
Terminal cover, 3 pole	H400-D 2x	TCA4
Terminal cover, each additional single pole	H400-D	TCB4

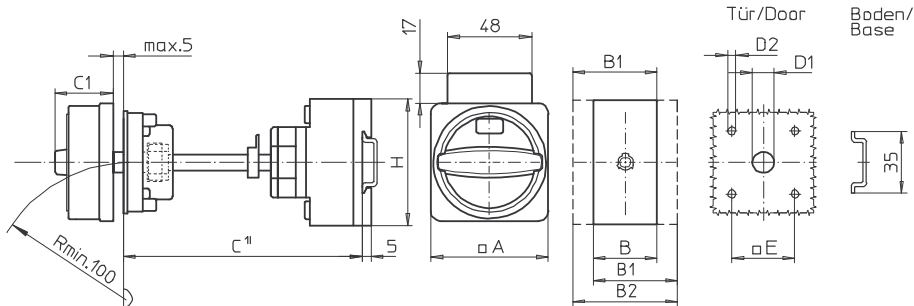
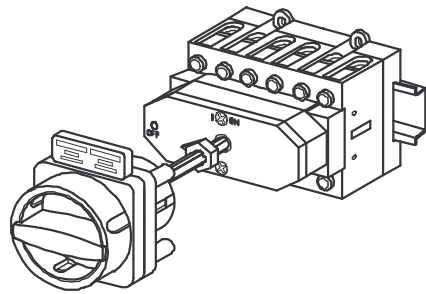
Dimensions (mm)

Product line	A	B	B1	B2	C	C1	D1	D2	E	H
H400-D	88	140	159	178	155	50	15	5	48	80

C¹) Internal depth, inside of door to top of DIN rail.

Base Mounting Switches

sälzer



**Product line
H400-D**

Base mounting switch

Door interlock

Metal shaft extension with fixed metal shaft, C = 155 mm

Four hole mounting

48 x 48 mm front

497N1 (IP66)

497N4 (IP66)

Complete switch	Poles	Product line	Rated data (IEC 60947)			Order code number
			Operational current I _e	Operational power at 380–440 V		
			AC-21A A	AC-23A kW	AC-3 kW	
Main Switches OFF position padlockable 09h	6 ... 8	H400-D	63	22	18,5	H406 - 41 ... - 497N1
			80	30	22	H408 - 41 ... - 497N1
			100	37	30	H410 - 41 ... - 497N1
			125	45	37	H412 - 41 ... - 497N1
Main/Emergency-Off Switches OFF position padlockable 09h	6 ... 8	H400-D	63	22	18,5	H406 - 41 ... - 497N4
			80	30	22	H408 - 41 ... - 497N4
			100	37	30	H410 - 41 ... - 497N4
			125	45	37	H412 - 41 ... - 497N4

SMD modules for basic switch A02

Mounting form module for 497N.	H400-D	BFB4 - 497 4CN1
N-padlock device 88 x 88 mm, mounting form 497N1 Escutcheon black, padlockable handle black		4CN4
N-padlock device 88 x 88 mm, mounting form 497N4 Escutcheon yellow, padlockable handle red		FAZ2 - 8041
Additional top escutcheon plate		TCA4
Terminal cover, 3 pole	H400-D 2x	TCB4
Terminal cover, each additional single pole	H400-D	TCB4

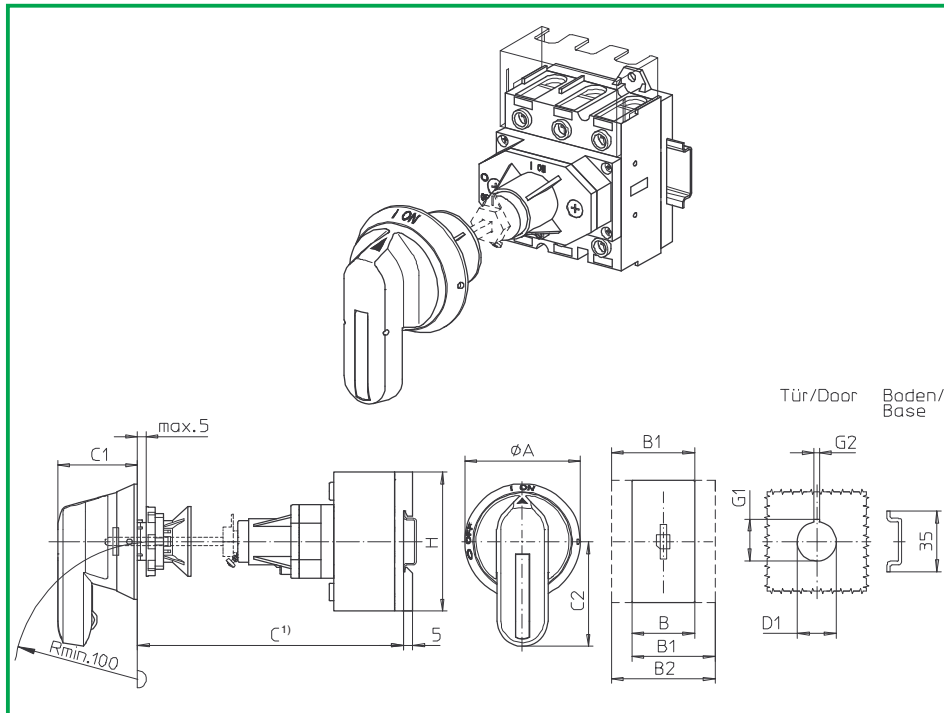
Dimensions (mm)

Product line	A	B	B1	B2	C	C1	D1	D2	E	H
H400-D	88	140	159	178	155	45	15	5	48	80

C¹⁾ Internal depth, inside of door to top of DIN rail.

Base Mounting Switches

sälzer



**Product lines
H400-A/ -D**

Base mounting switch

**Defeatable
door interlock**
Metal shaft extension

Single hole mounting
ø 22,5 mm front

380D1 (IP66)
380D4 (IP66)

Complete switch	Poles	Product line	Rated data (IEC 60947)			Order code number
			Operational current	Operational power at 380-440V		
			AC-21A A	AC-23A kW	AC-3 kW	
Main Switches OFF position padlockable 09h	3 ... 8	H400-A/ -D	63	22	18,5	H406 - 41 ... - 380D1
			80	30	22	H408 - 41 ... - 380D1
			100	37	30	H410 - 41 ... - 380D1
			125	45	37	H412 - 41 ... - 380D1
Main/Emergency-Off Switches OFF position padlockable 09h	3 ... 8	H400-A/ -D	63	22	18,5	H406 - 41 ... - 380D4
			80	30	22	H408 - 41 ... - 380D4
			100	37	30	H410 - 41 ... - 380D4
			125	45	37	H412 - 41 ... - 380D4

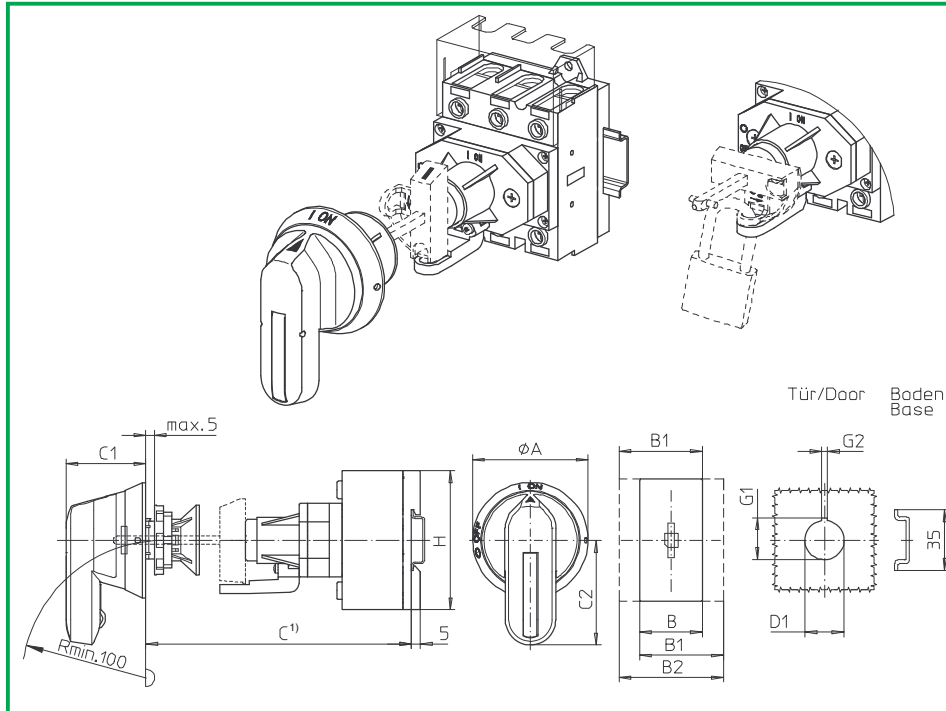
With defeatable door interlock in the ON position

SMD modules for basic switch A02		
Mounting form module for 380D1/380D4	H400-A/ -D	BFA4-380
Operator module, mounting form 380D1 Front ring black, handle black		4RD1
Operator module, mounting form 380D4 Front ring yellow, handle red		4RD4
Terminal cover, 3 pole	H400-A 1x / -D 2x	TCA4
Terminal cover, each additional single pole	H400-A/ -D	TCB4

Dimensions (mm)										
Product lines	A	B	B1	B2	C1	C2	D1	G1	G2	H
H400-A	66,5	70	89	108	46	60	22,5	24,2	3,2	80
H400-D	66,5	140	159	178	46	60	22,5	24,2	3,2	80

C¹⁾ Internal depth, outside of door to top of DIN rail. Metal shaft is not included. See page B10-3.

Base Mounting Switches



Product lines
H400-A/ -D

Base mounting switch

Defeatable door interlock with maintenance handle

Metal shaft extension

Single hole mounting
ø 22,5 mm front

385D1 (IP66)
385D4 (IP66)

Complete switch	Poles	Product line	Rated data (IEC 60947)			Order code number
			Operational current	Operational power at 380-440V		
			AC-21A A	AC-23A kW	AC-3 kW	
Main Switches OFF position padlockable 09h	3 ... 8	H400-A/ -D	63	22	18,5	H406 - 41 ... - 385D1
			80	30	22	H408 - 41 ... - 385D1
			100	37	30	H410 - 41 ... - 385D1
			125	45	37	H412 - 41 ... - 385D1
Main/Emergency-Off Switches OFF position padlockable 09h	3 ... 8	H400-A/ -D	63	22	18,5	H406 - 41 ... - 385D4
			80	30	22	H408 - 41 ... - 385D4
			100	37	30	H410 - 41 ... - 385D4
			125	45	37	H412 - 41 ... - 385D4

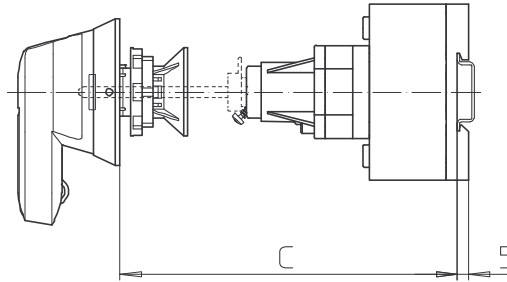
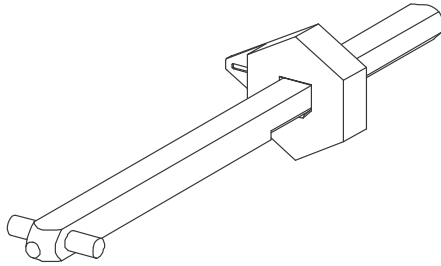
With defeatable door interlock in the ON position

SMD modules for basic switch A02		
Mounting form module for 385D1/385D4	H400-A/ -D	BFA4-385
Operator module, mounting form 385D1 Front ring black, handle black		4RD1
Operator module, mounting form 385D4 Front ring yellow, handle red		4RD4
Terminal cover, 3 pole	H400-A 1x / -D 2x	TCA4
Terminal cover, each additional single pole	H400-A/ -D	TCB4

Dimensions (mm)										
Product lines	A	B	B1	B2	C1	C2	D1	G1	G2	H
H400-A	66,5	70	89	108	46	60	22,5	24,2	3,2	80
H400-D	66,5	140	159	178	46	60	22,5	24,2	3,2	80

C¹) Internal depth, outside of door to top of DIN rail. Metal shaft is not included. See page B10-4.

Metal shaft extension



Product lines
H400-A/ -D

Base mounting switch

Defeatable door interlock

Metal shaft extension

Single hole mounting
ø 22,5 mm front

AVE5 - . . .

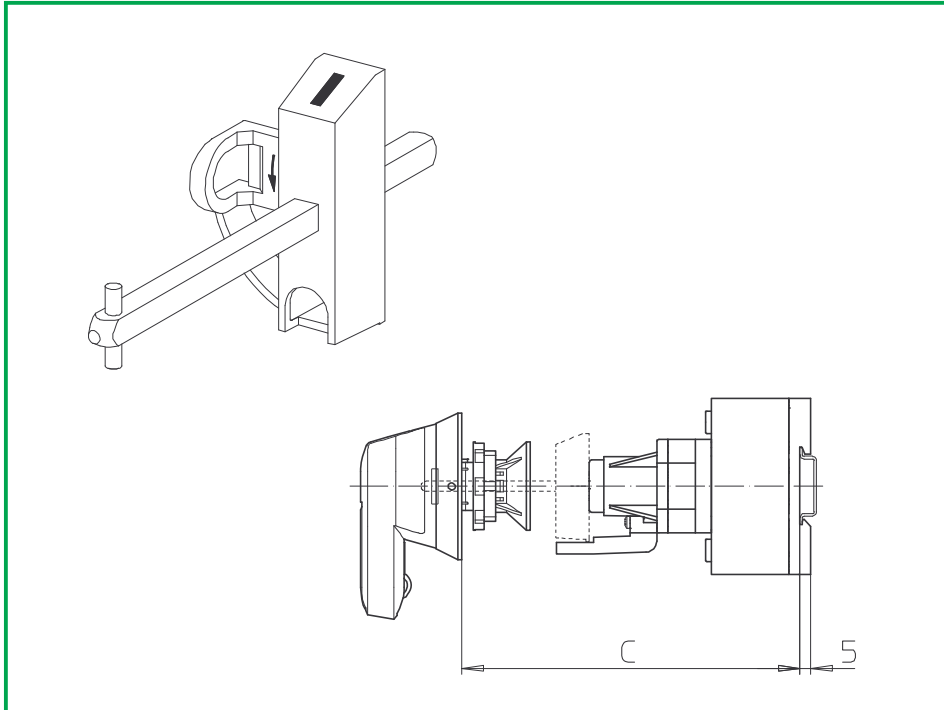
Metal shaft extension for mounting form with defeatable door interlock, single hole mounting ø 22,5 mm front

Dimension C (internal depth, outside of door to top of DIN rail)

H400-A	H400-D	Order code number
133 ... 148 mm	146 ... 161 mm	AVE5-088
148 ... 163 mm	161 ... 176 mm	AVE5-103
163 ... 178 mm	176 ... 191 mm	AVE5-118
178 ... 193 mm	191 ... 206 mm	AVE5-133
193 ... 208 mm	206 ... 221 mm	AVE5-148
208 ... 223 mm	221 ... 236 mm	AVE5-163
223 ... 238 mm	236 ... 251 mm	AVE5-178
238 ... 253 mm	251 ... 266 mm	AVE5-193
253 ... 268 mm	266 ... 281 mm	AVE5-208
268 ... 283 mm	281 ... 296 mm	AVE5-223
283 ... 298 mm	296 ... 311 mm	AVE5-238
298 ... 313 mm	311 ... 326 mm	AVE5-253
313 ... 328 mm	326 ... 341 mm	AVE5-268
328 ... 343 mm	341 ... 356 mm	AVE5-283
343 ... 358 mm	356 ... 371 mm	AVE5-298
358 ... 373 mm	371 ... 386 mm	AVE5-313
373 ... 388 mm	386 ... 401 mm	AVE5-328
388 ... 403 mm	401 ... 416 mm	AVE5-343
403 ... 418 mm	416 ... 431 mm	AVE5-358
418 ... 433 mm	431 ... 446 mm	AVE5-373
433 ... 448 mm	446 ... 461 mm	AVE5-388
448 ... 463 mm	461 ... 476 mm	AVE5-403
463 ... 478 mm	476 ... 491 mm	AVE5-418
478 ... 493 mm	491 ... 506 mm	AVE5-433
493 ... 508 mm	506 ... 521 mm	AVE5-448
508 ... 523 mm	521 ... 536 mm	AVE5-463
523 ... 538 mm	536 ... 551 mm	AVE5-478
538 ... 553 mm	551 ... 566 mm	AVE5-493
553 ... 568 mm	566 ... 581 mm	AVE5-508
568 ... 583 mm	581 ... 596 mm	AVE5-523
583 ... 598 mm	596 ... 611 mm	AVE5-538
598 ... 613 mm	611 ... 626 mm	AVE5-553
613 ... 628 mm	626 ... 641 mm	AVE5-568

Metal shaft extension

sälzer



**Product lines
H400-A/ -D**

Base mounting switch

**Defeatable
door interlock with
maintenance handle**

Metal shaft extension

Single hole mounting
ø 22,5 mm front

AVF5 - . . .

**Metal shaft extension for mounting form with defeatable door interlock,
single hole mounting ø 22,5 mm front
Additional lockable maintenance handle**

Dimension C (internal depth, outside of door to top of DIN rail)

H400-A	H400-D	Order code number
143 . . . 148 mm	156 . . . 161 mm	AVF5-088
148 . . . 163 mm	161 . . . 176 mm	AVF5-103
163 . . . 178 mm	176 . . . 191 mm	AVF5-118
178 . . . 193 mm	191 . . . 206 mm	AVF5-133
193 . . . 208 mm	206 . . . 221 mm	AVF5-148
208 . . . 223 mm	221 . . . 236 mm	AVF5-163
223 . . . 238 mm	236 . . . 251 mm	AVF5-178
238 . . . 253 mm	251 . . . 266 mm	AVF5-193
253 . . . 268 mm	266 . . . 281 mm	AVF5-208
268 . . . 283 mm	281 . . . 296 mm	AVF5-223
283 . . . 298 mm	296 . . . 311 mm	AVF5-238
298 . . . 313 mm	311 . . . 326 mm	AVF5-253
313 . . . 328 mm	326 . . . 341 mm	AVF5-268
328 . . . 343 mm	341 . . . 356 mm	AVF5-283
343 . . . 358 mm	356 . . . 371 mm	AVF5-298
358 . . . 373 mm	371 . . . 386 mm	AVF5-313
373 . . . 388 mm	386 . . . 401 mm	AVF5-328
388 . . . 403 mm	401 . . . 416 mm	AVF5-343
403 . . . 418 mm	416 . . . 431 mm	AVF5-358
418 . . . 433 mm	431 . . . 446 mm	AVF5-373
433 . . . 448 mm	446 . . . 461 mm	AVF5-388
448 . . . 463 mm	461 . . . 476 mm	AVF5-403
463 . . . 478 mm	476 . . . 491 mm	AVF5-418
478 . . . 493 mm	491 . . . 506 mm	AVF5-433
493 . . . 508 mm	506 . . . 521 mm	AVF5-448
508 . . . 523 mm	521 . . . 536 mm	AVF5-463
523 . . . 538 mm	536 . . . 551 mm	AVF5-478
538 . . . 553 mm	551 . . . 566 mm	AVF5-493
553 . . . 568 mm	566 . . . 581 mm	AVF5-508
568 . . . 583 mm	581 . . . 596 mm	AVF5-523
583 . . . 598 mm	596 . . . 611 mm	AVF5-538
598 . . . 613 mm	611 . . . 626 mm	AVF5-553
613 . . . 628 mm	626 . . . 641 mm	AVF5-568



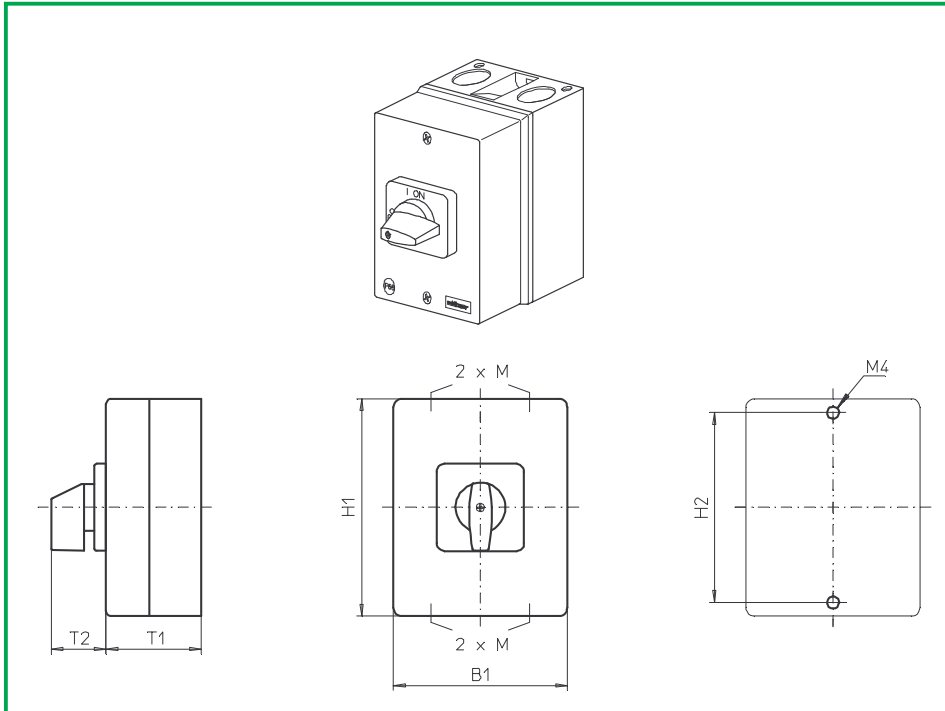
Section C

	Page	
	from	to
Insulated Enclosures	C1-1	C1-36
Mild Steel Enclosures	C2-1	C2-15
Stainless Steel Enclosures	C3-1	C3-11
Switch Modules	C4-1	C4-3

Originator: Sälzer Electric GmbH · Product Data Management (PDM) · 09306 Rochlitz (Germany)
Copyright reserved by Sälzer Electric GmbH. This document replaces all previous issues.
Valid until a new version is published. Changes and revisions reserved.

Enclosed Switches

sälzer



**Product line
H400-A**

Enclosed switches

Insulated enclosure
250 x 160 x 95 mm

Cable entries
4 x M25/32

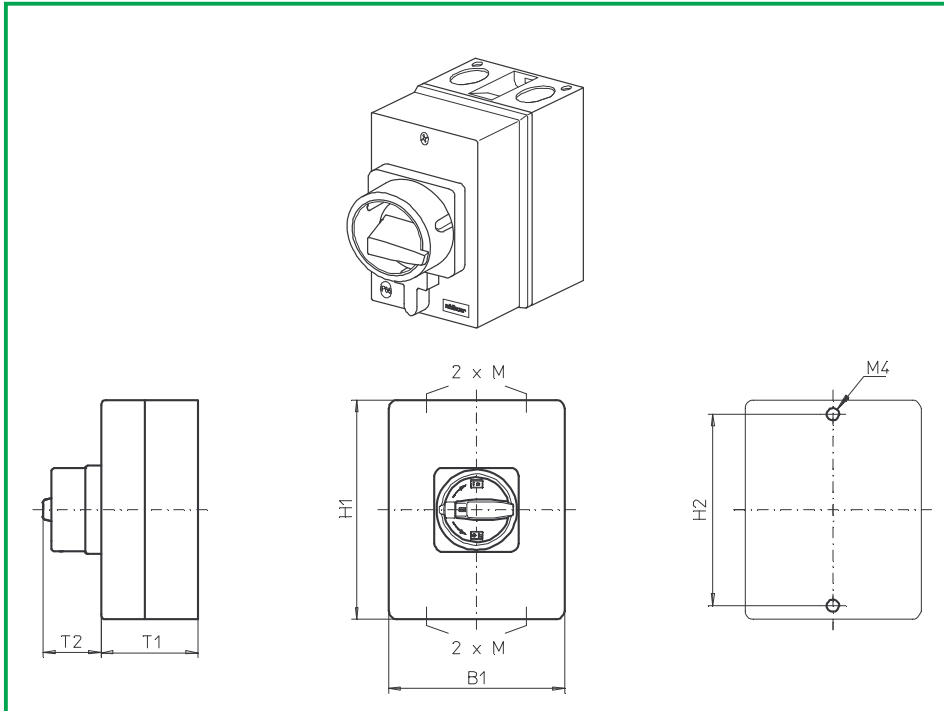
176M1 (IP66)

Complete switch	Poles	Product line	Rated data (IEC 60947)			Order code number
			Operational current I _e	Operational power at 380–440 V		
			AC-21A A	AC-23A kW	AC-3 kW	
ON-OFF Switches Switching angle 90°	3 ... 4	H400-A	63	22	18,5	H406 - 41 ... - 176M1
			80	30	22	H408 - 41 ... - 176M1
			100	37	30	H410 - 41 ... - 176M1

SMD modules for basic switch A02						
Mounting form module (switch module EA)				H400-A		BFA4 - EA
Enclosure module, mounting form 176M1						PAH4 - 176M1
Legend plate silver, enclosure module 176M1						FAS6 - 9078

Dimensions (mm)						
Product line	H1	B1	T1	T2	2xM	H2
H400-A	250	160	95	52	25/32	240

Enclosed Switches



Product line
H400-A

Enclosed switches

Insulated enclosure
250 x 160 x 95 mm

Cable entries
4 x M25/32

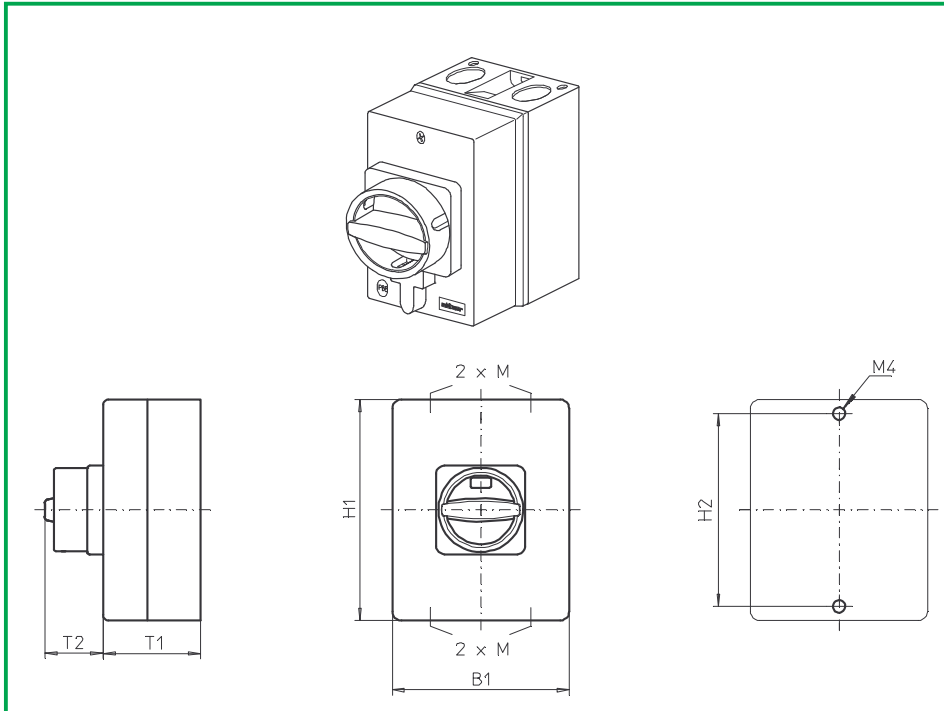
177M1 (IP66)
177M4 (IP66)

Complete switch	Poles	Product line	Rated data (IEC 60947)			Order code number
			Operational current I _e	Operational power at 380–440 V		
			AC-21A A	AC-23A kW	AC-3 kW	
Main Switches OFF position padlockable 09h	3 ... 4	H400-A	63	22	18,5	H406 - 41 ... - 177M1
			80	30	22	H408 - 41 ... - 177M1
			100	37	30	H410 - 41 ... - 177M1
Main/Emergency-Off Switches OFF position padlockable 09h	3 ... 4	H400-A	63	22	18,5	H406 - 41 ... - 177M4
			80	30	22	H408 - 41 ... - 177M4
			100	37	30	H410 - 41 ... - 177M4

SMD modules for basic switch A02						
Mounting form module (switch module EA)				H400-A		BFA4 - EA
Enclosure module, mounting form 177M1						PAH4 - 177M1
Enclosure module, mounting form 177M4						PAH4 - 177M4

Dimensions (mm)						
Product line	H1	B1	T1	T2	2xM	H2
H400-A	250	160	95	50	25/32	240

Enclosed Switches



Product line
H400-A

Enclosed switches

Insulated enclosure
250 x 160 x 95 mm

Cable entries
4 x M25/32

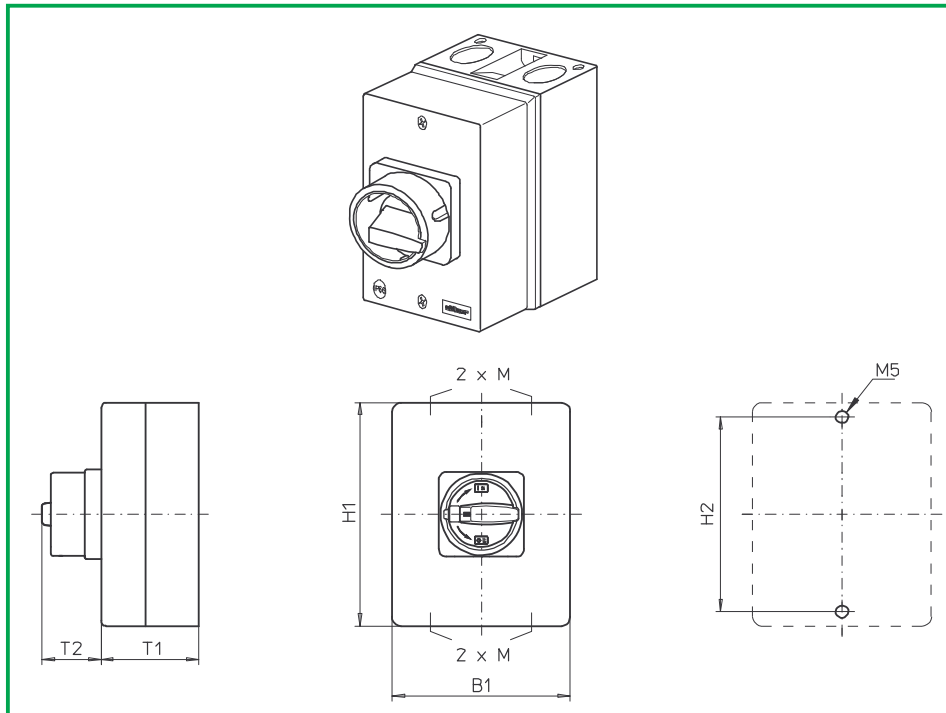
177N1 (IP66)
177N4 (IP66)

Complete switch	Poles	Product line	Rated data (IEC 60947)			Order code number
			Operational current I _e	Operational power at 380–440 V		
			AC-21A A	AC-23A kW	AC-3 kW	
Main Switches OFF position padlockable 09h	3 ... 4	H400-A	63	22	18,5	H406 - 41 ... - 177N1
			80	30	22	H408 - 41 ... - 177N1
			100	37	30	H410 - 41 ... - 177N1
Main/Emergency-Off Switches OFF position padlockable 09h	3 ... 4	H400-A	63	22	18,5	H406 - 41 ... - 177N4
			80	30	22	H408 - 41 ... - 177N4
			100	37	30	H410 - 41 ... - 177N4

SMD modules for basic switch A02			
Mounting form module (switch module EA)		H400-A	BFA4 - EA
Enclosure module, mounting form 177N1			PAH4 - 177N1
Enclosure module, mounting form 177N4			PAH4 - 177N4

Dimensions (mm)						
Product line	H1	B1	T1	T2	2xM	H2
H400-A	250	160	95	45	25/32	240

Enclosed Switches



Product lines
H400-A

Enclosed switches

Insulated enclosure
250 x 160 x 120 mm

With cover interlock
in ON position

With N/PE connection link

Cable entries
4 x M32/ M40

730M1 (IP66)

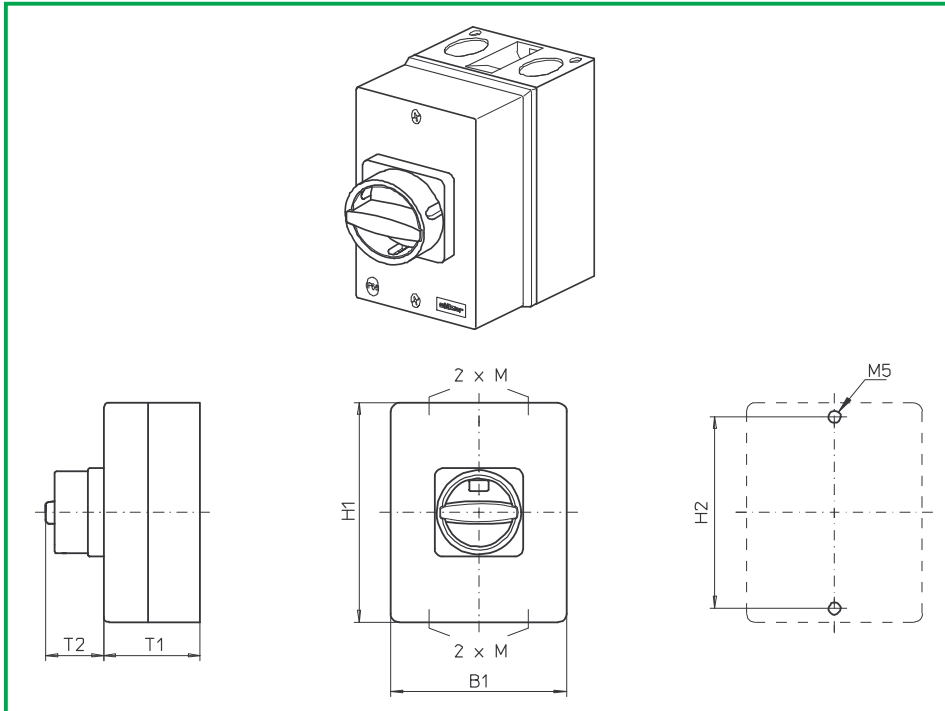
730M4 (IP66)

Complete switch	Poles	Product line	Rated data (IEC 60947)			Order code number
			Operational current I_e	Operational power at 380–440 V		
			AC-21A A	AC-23A kW	AC-3 kW	
Main Switches OFF position padlockable 09h	3 ... 4	H400-A	63	22	18,5	H406 - 41 ... - 730M1
			80	30	22	H408 - 41 ... - 730M1
			100	37	30	H410 - 41 ... - 730M1
Main/Emergency-Off Switches OFF position padlockable 09h	3 ... 4	H400-A	63	22	18,5	H406 - 41 ... - 730M4
			80	30	22	H408 - 41 ... - 730M4
			100	37	30	H410 - 41 ... - 730M4

SMD modules for basic switch A02			
Mounting form module (switch module ED)		H400-A	BFE4 - ED
Enclosure module, mounting form 730M1			PAH4 - 730M1
Enclosure module, mounting form 730M4			PAH4 - 730M4

Dimensions (mm)						
Product line	H1	B1	T1	T2	2xM	H2
H400-A	250	160	120	50	32/40	235

Enclosed Switches



Product line
H400-A

Enclosed switches

Insulated enclosure
250 x 160 x 120 mm

With cover interlock
in ON position

With N/PE connection link

Cable entries
4 x M32/ M40

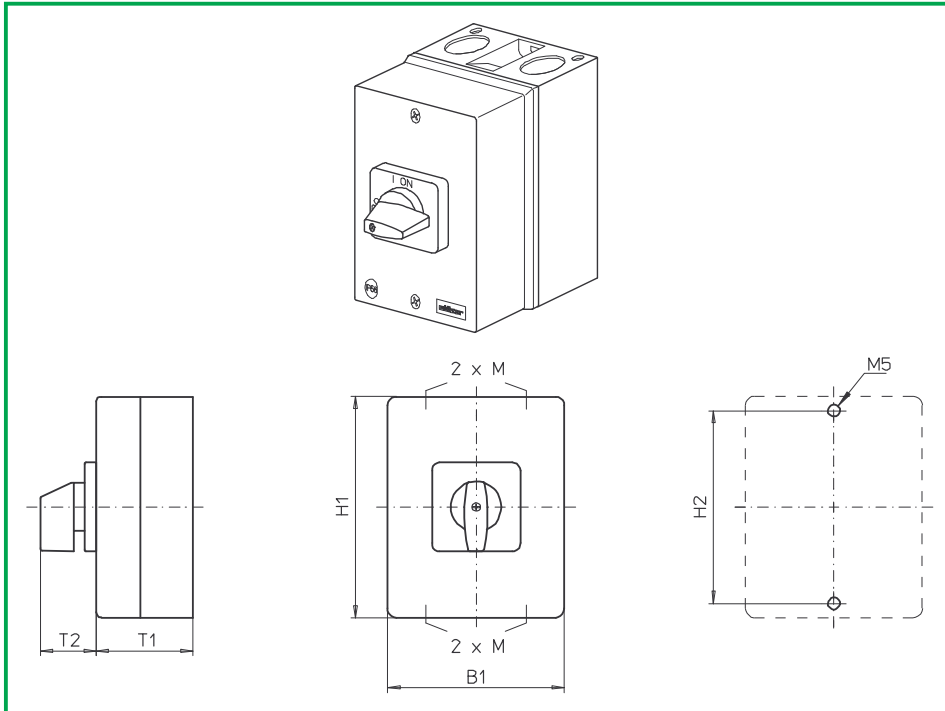
730N1 (IP66)
730N4 (IP66)

Complete switch	Poles	Product line	Rated data (IEC 60947)			Order code number
			Operational current I _e	Operational power at 380–440 V		
			AC-21A A	AC-23A kW	AC-3 kW	
Main Switches OFF position padlockable 09h	3 ... 4	H400-A	63	22	18,5	H406 - 41 ... - 730N1
			80	30	22	H408 - 41 ... - 730N1
			100	37	30	H410 - 41 ... - 730N1
Main/Emergency-Off Switches OFF position padlockable 09h	3 ... 4	H400-A	63	22	18,5	H406 - 41 ... - 730N4
			80	30	22	H408 - 41 ... - 730N4
			100	37	30	H410 - 41 ... - 730N4

SMD modules for basic switch A02			
Mounting form module (switch module ED)		H400-A	BFE4 - ED
Enclosure module, mounting form 730N1			PAH4 - 730N1
Enclosure module, mounting form 730N4			PAH4 - 730N4

Dimensions (mm)						
Product line	H1	B1	T1	T2	2xM	H2
H400-A	250	160	120	45	32/40	235

Enclosed Switches



Product line
H400-A

Enclosed switches

Insulated enclosure
250 x 160 x 120 mm

With cover interlock
in ON position

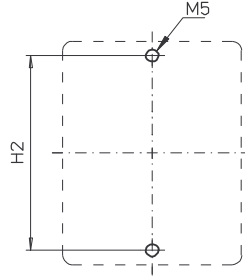
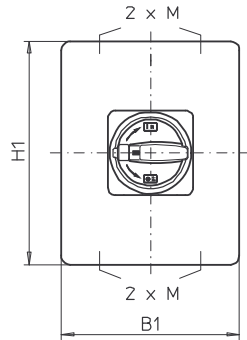
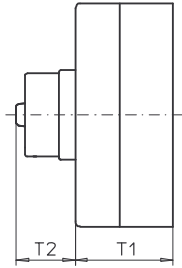
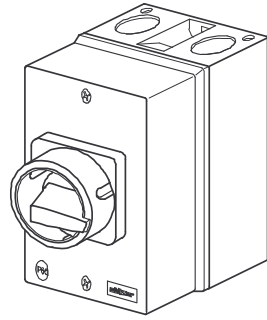
With N/PE connection link

Cable entries
4 x M32/ M40

731M1 (IP66)

Complete switch	Poles	Product line	Rated data (IEC 60947)			Order code number
			Operational current I _e	Operational power at 380–440 V		
			AC-21A A	AC-23A kW	AC-3 kW	
ON-OFF Switches Switching angle 90°	3 ... 4	H400-A	63 80 100	22 30 37	18,5 22 30	H406 - 41 ... - 731M1 H408 - 41 ... - 731M1 H410 - 41 ... - 731M1
SMD modules for basic switch A02						
Mounting form module (switch module ED)			H400-A			BFE4 - ED
Enclosure module, mounting form 731M1						PAH4 - 731M1
Legend plate silver, enclosure module 731M1						FAS6 - 9... (FA number)
Dimensions (mm)						
Product line	H1	B1	T1	T2	2xM	H2
H400-A	250	160	120	39	32/40	235

Enclosed Switches



Product line
H400-A

Enclosed switches

Insulated enclosure
250 x 160 x 120 mm

With cover interlock
in ON position

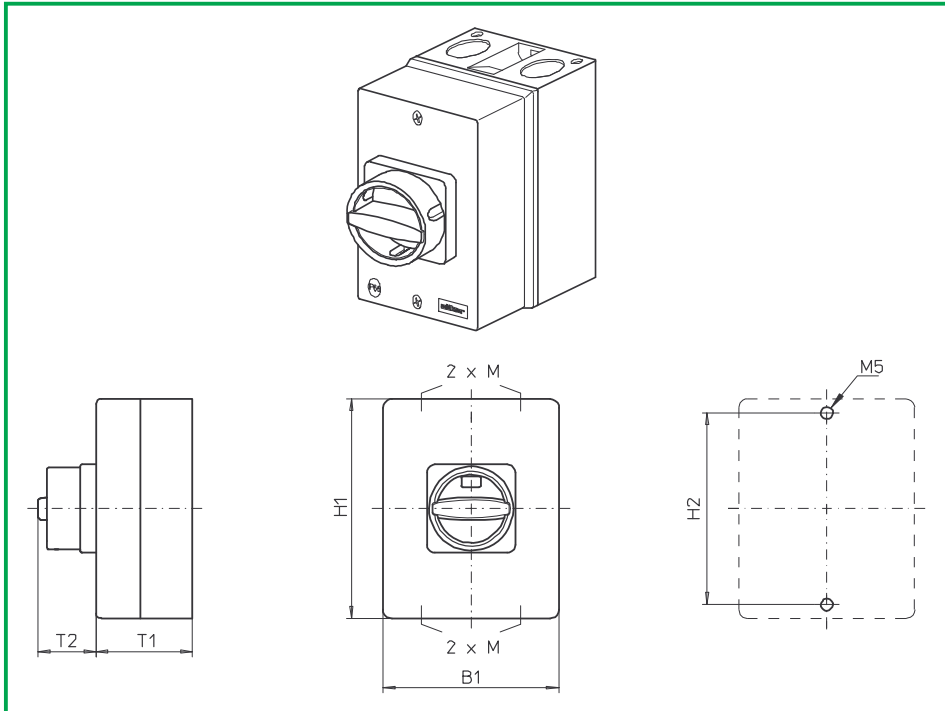
With PE connection link

Cable entries
4 x M32/ M40

735M1 (IP66)
735M4 (IP66)

Complete switch	Poles	Product line	Rated data (IEC 60947)			Order code number
			Operational current I _e	Operational power at 380–440 V		
			AC-21A A	AC-23A kW	AC-3 kW	
Main Switches OFF position padlockable 09h	3 ... 4	H400-A	63	22	18,5	H406 - 41 ... - 735M1
			80	30	22	H408 - 41 ... - 735M1
			100	37	30	H410 - 41 ... - 735M1
Main/Emergency-Off Switches OFF position padlockable 09h	3 ... 4	H400-A	63	22	18,5	H406 - 41 ... - 735M4
			80	30	22	H408 - 41 ... - 735M4
			100	37	30	H410 - 41 ... - 735M4
SMD modules for basic switch A02						
Mounting form module (switch module ED)			H400-A			BFE4 - ED
Enclosure module, mounting form 735M1						PAH4 - 735M1
Enclosure module, mounting form 735M4						PAH4 - 735M4
Dimensions (mm)						
Product line	H1	B1	T1	T2	2xM	H2
H400-A	250	160	120	45	32/40	235

Enclosed Switches



Product line
H400-A

Enclosed switches

Insulated enclosure
250 x 160 x 120 mm

With cover interlock
in ON position

With PE connection link

Cable entries
4 x M32/ M40

735N1 (IP66)

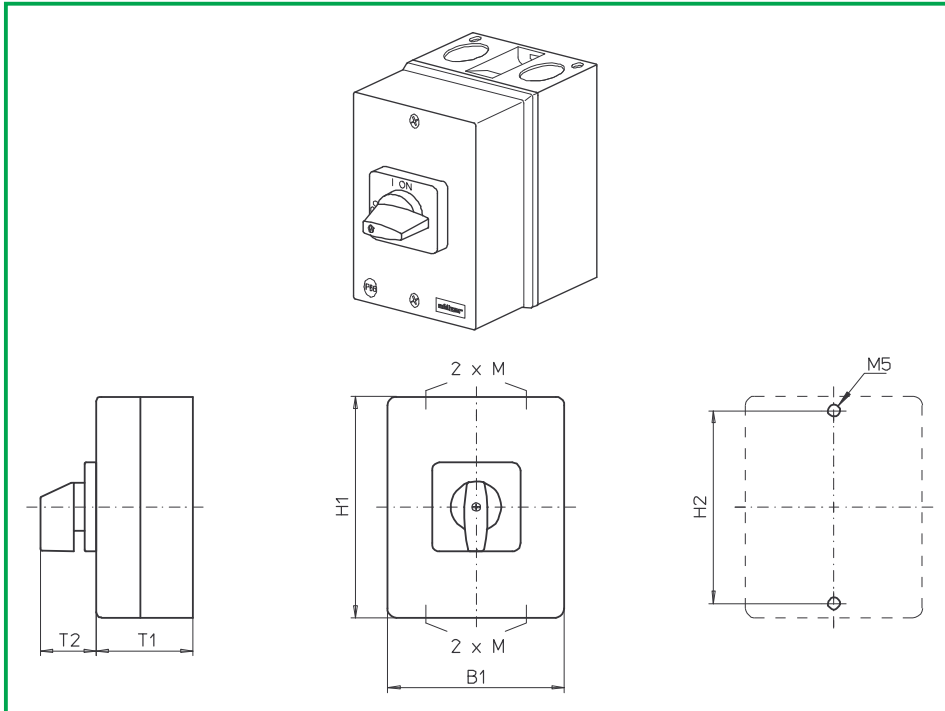
735N4 (IP66)

Complete switch	Poles	Product line	Rated data (IEC 60947)			Order code number
			Operational current I _e	Operational power at 380–440 V		
			AC-21A A	AC-23A kW	AC-3 kW	
Main Switches OFF position padlockable 09h	3 ... 4	H400-A	63	22	18,5	H406 - 41 ... - 735N1
			80	30	22	H408 - 41 ... - 735N1
			100	37	30	H410 - 41 ... - 735N1
Main/Emergency-Off Switches OFF position padlockable 09h	3 ... 4	H400-A	63	22	18,5	H406 - 41 ... - 735N4
			80	30	22	H408 - 41 ... - 735N4
			100	37	30	H410 - 41 ... - 735N4

SMD modules for basic switch A02			
Mounting form module (switch module ED)		H400-A	BFE4 - ED
Enclosure module, mounting form 735N1			PAH4 - 735N1
Enclosure module, mounting form 735N4			PAH4 - 735N4

Dimensions (mm)						
Product line	H1	B1	T1	T2	2xM	H2
H400-A	250	160	120	45	32/40	235

Enclosed Switches



Product line
H400-A

Enclosed switches

Insulated enclosure
250 x 160 x 120 mm

With cover interlock
in ON position

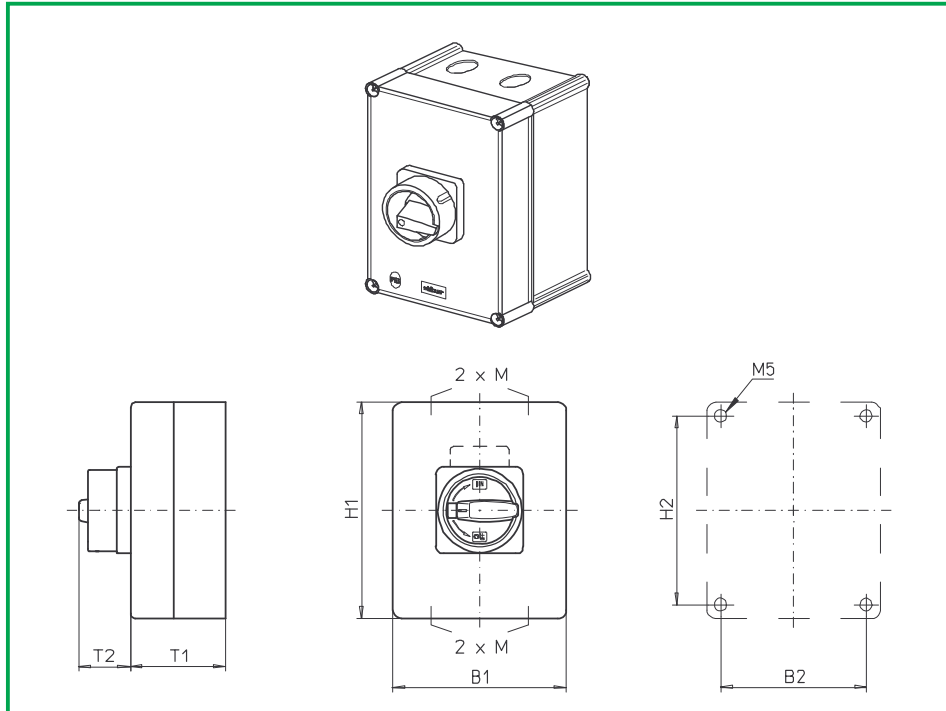
With PE connection link

Cable entries
4 x M32/ M40

736M1 (IP66)

Complete switch	Poles	Product line	Rated data (IEC 60947)			Order code number
			Operational current I _e	Operational power at 380–440 V		
			AC-21A A	AC-23A kW	AC-3 kW	
ON-OFF Switches Switching angle 90°	3 ... 4	H400-A	63	22	18,5	H406 - 41 ... - 736M1
			80	30	22	H408 - 41 ... - 736M1
			100	37	30	H410 - 41 ... - 736M1
SMD modules for basic switch A02						
Mounting form module (switch module ED)			H400-A			BFE4 - ED
Enclosure module, mounting form 736M1						PAH4 - 736M1
Legend plate silver, enclosure module 736M1						FAS6 - 9... (FA number)
Dimensions (mm)						
Product line	H1	B1	T1	T2	2xM	H2
H400-A	250	160	120	39	32/40	235

Enclosed Switches



**Product line
H400-A**

Enclosed switches

Insulated enclosure

280 x 190 x 130 mm

With cover interlock
in ON position

Cable entries

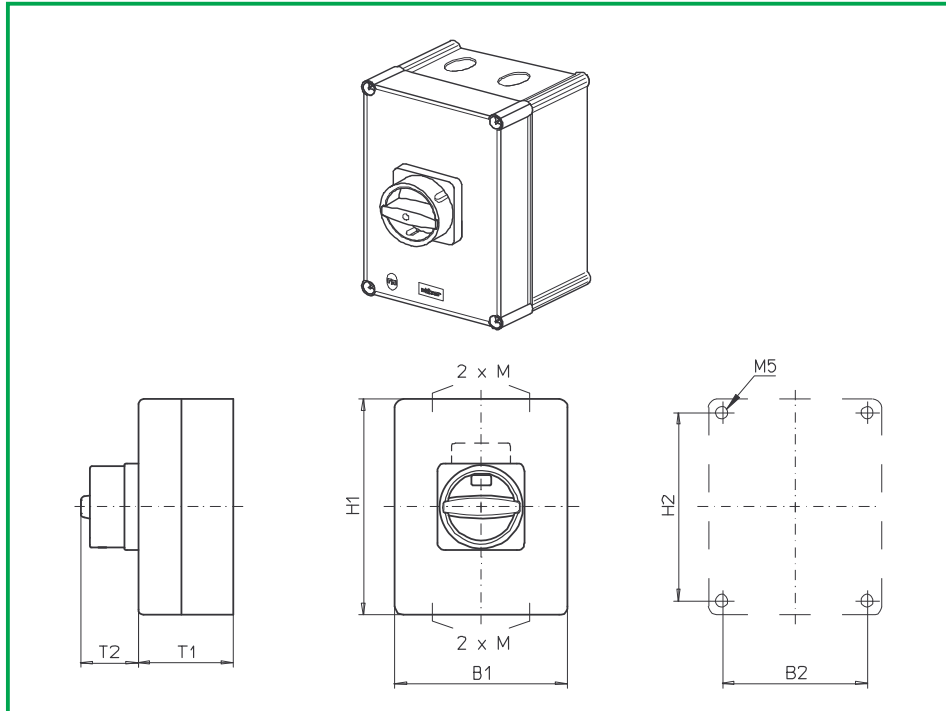
4 x with screw thread
M40x1,5

770M1 (IP66)

770M4 (IP66)

Complete switch	Poles	Product line	Rated data (IEC 60947)			Order code number	
			Operational current I _e	Operational power at 380–440 V			
			AC-21A A	AC-23A kW	AC-3 kW		
Main Switches OFF position padlockable 09h	3 ... 4	H400-A	63	22	18,5	H406 - 41 ... - 770M1	
			80	30	22	H408 - 41 ... - 770M1	
			100	37	30	H410 - 41 ... - 770M1	
Main/Emergency-Off Switches OFF position padlockable 09h	3 ... 4	H400-A	63	22	18,5	H406 - 41 ... - 770M4	
			80	30	22	H408 - 41 ... - 770M4	
			100	37	30	H410 - 41 ... - 770M4	
Realisable switching programmes:							
3 pole 41300 , 41311, 41320, 41322, 41331, 41340							
3 pole+N 46300 , 46311, 46320							
4 pole 41400 , 41411, 41420							
SMD modules for basic switch A02							
Mounting form module for 770M1/ 770M4			H400-A		BFA4 - E8		
Enclosure module, mounting form 770M1					PAH4 - 770M1		
Enclosure module, mounting form 770M4					PAH4 - 770M4		
Note: 2 x screw plugs with screw thread M40x1,5 part of delivery capacity.							
Dimensions (mm)							
Product line	H1	B1	T1	T2	2xM	H2	B2
H400-A	280	190	130	50	M40x1,5	254	164

Enclosed Switches



Product line
H400-A

Enclosed switches

Insulated enclosure

280 x 190 x 130 mm

With cover interlock
in ON position

Cable entries

4 x with screw thread
M40x1,5

770N1 (IP66)

770N4 (IP66)

Complete switch	Poles	Product line	Rated data (IEC 60947)			Order code number
			Operational current I _e	Operational power at 380–440 V		
			AC-21A A	AC-23A kW	AC-3 kW	
Main Switches OFF position padlockable 09h	3 ... 4	H400-A	63	22	18,5	H406 - 41 ... - 770N1
			80	30	22	H408 - 41 ... - 770N1
			100	37	30	H410 - 41 ... - 770N1
Main/Emergency-Off Switches OFF position padlockable 09h	3 ... 4	H400-A	63	22	18,5	H406 - 41 ... - 770N4
			80	30	22	H408 - 41 ... - 770N4
			100	37	30	H410 - 41 ... - 770N4

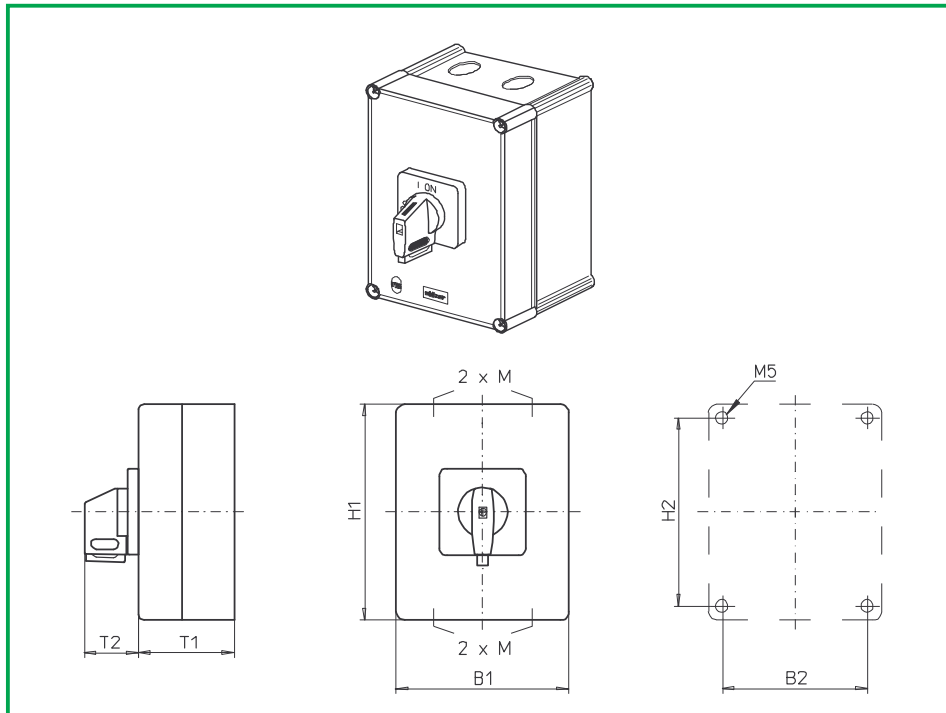
Realisable switching programmes:
 3 pole **41300**, 41311, 41320, 41322, 41331, 41340
 3 pole+N **46300**, 46311, 46320
 4 pole **41400**, 41411, 41420

SMD modules for basic switch A02		
Mounting form module for 770N1/ 770N4	H400-A	BFA4 - E8
Enclosure module, mounting form 770N1		PAH4 - 770N1
Enclosure module, mounting form 770N4		PAH4 - 770N4

Note:
2 x screw plugs with screw thread M40x1,5 part of delivery capacity.

Dimensions (mm)							
Product line	H1	B1	T1	T2	2xM	H2	B2
H400-A	280	190	130	45	M40x1,5	254	164

Enclosed Switches



Product line
H400-A

Enclosed switches

Insulated enclosure

280 x 190 x 130 mm

With cover interlock
in ON position

Cable entries

4 x with screw thread
M40x1,5

770V1 (IP66)

770V4 (IP66)

Complete switch	Poles	Product line	Rated data (IEC 60947)			Order code number
			Operational current I _e	Operational power at 380–440 V		
			AC-21A A	AC-23A kW	AC-3 kW	
Main Switches OFF position padlockable 09h	3 ... 4	H400-A	63	22	18,5	H406 - 41 ... - 770V1
			80	30	22	H408 - 41 ... - 770V1
			100	37	30	H410 - 41 ... - 770V1
Main/Emergency-Off Switches OFF position padlockable 09h	3 ... 4	H400-A	63	22	18,5	H406 - 41 ... - 770V4
			80	30	22	H408 - 41 ... - 770V4
			100	37	30	H410 - 41 ... - 770V4

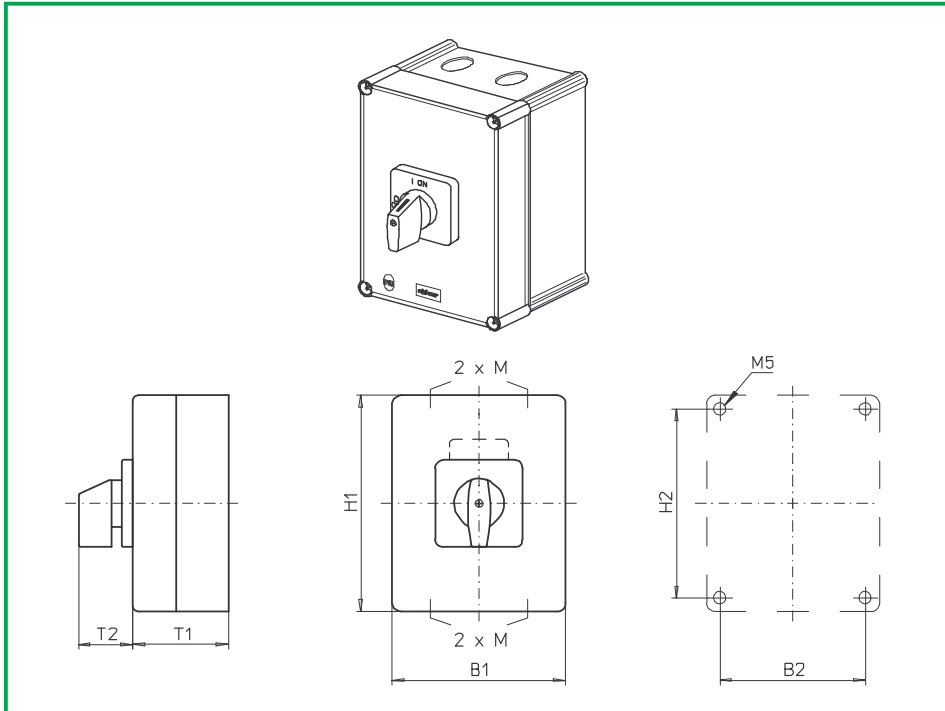
Realisable switching programmes:
 3-pole **41300**, 41311, 41320, 41322, 41331, 41340
 3-pole+N **46300**, 46311, 46320
 4-pole **41400**, 41411, 41420

SMD modules for basic switch A02			
Mounting form module for 770V1/ 770V4		H400-A	BFA4 - E8
Enclosure module, mounting form 770V1			PAH4 - 770V1
Enclosure module, mounting form 770V4			PAH4 - 770V4
Legend plate silver, mounting form 770V1			FAS4 - 9... (FA number)
Legend plate yellow, mounting form 770V4			FBS4 - 9... (FA number)

Note:
2 x screw plugs with screw thread M40x1,5 part of delivery capacity.

Dimensions (mm)							
Product line	H1	B1	T1	T2	2xM	H2	B2
H400-A	280	190	130	39	M40x1,5	254	164

Enclosed Switches



Product line
H400-A

Enclosed switches

Insulated enclosure

280 x 190 x 130 mm

With cover interlock
in ON position

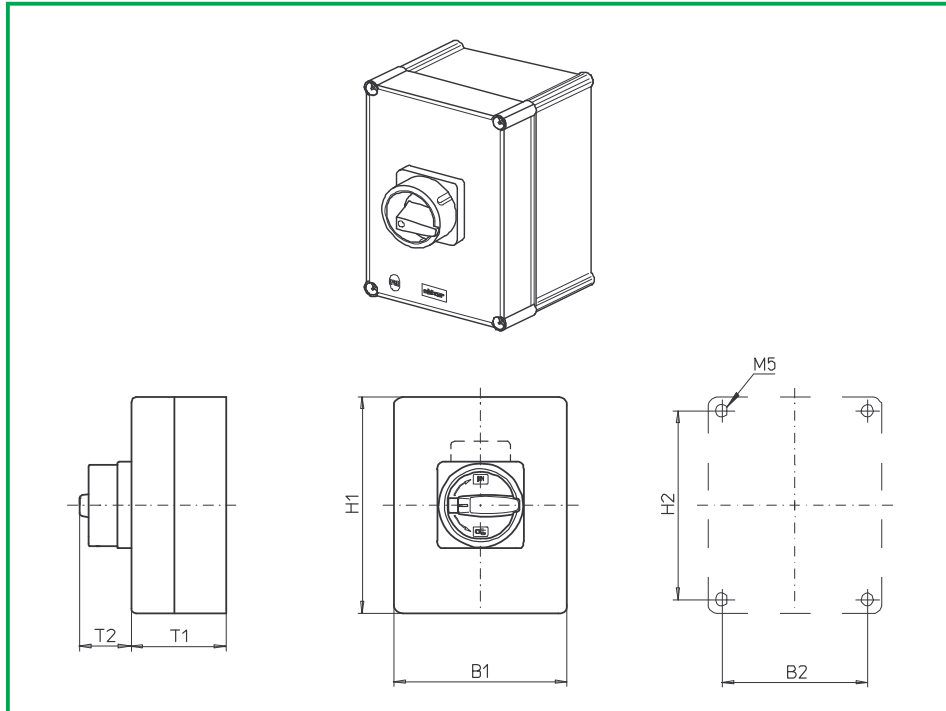
Cable entries

4 x with screw thread
M40x1,5

771M1 (IP66)

Complete switch	Poles	Product line	Rated data (IEC 60947)			Order code number																
			Operational current I _e	Operational power at 380–440 V																		
			AC-21A A	AC-23A kW	AC-3 kW																	
ON-OFF Switches Switching angle 90°	3 ... 4	H400-A	63	22	18,5	H406 - 41 ... - 771M1																
			80	30	22	H408 - 41 ... - 771M1																
			100	37	30	H410 - 41 ... - 771M1																
<p>Realisable switching programmes: 3-pole 41300, 41311, 41320, 41322, 41331, 41340 3-pole+N 46300, 46311, 46320 4-pole 41400, 41411, 41420</p>																						
<p>SMD modules for basic switch A02</p> <p>Mounting form module for 771M1 H400-A BFA4 - E8</p> <p>Enclosure module, mounting form 771M1 PAH4 - 771M1</p> <p>Legend plate silver, enclosure module 771M1 FAS6 - 9078</p> <p>Note: 2 x screw plugs with screw thread M40x1,5 part of delivery capacity.</p>																						
<p>Dimensions (mm)</p> <table border="1"> <thead> <tr> <th>Product line</th> <th>H1</th> <th>B1</th> <th>T1</th> <th>T2</th> <th>2xM</th> <th>H2</th> <th>B2</th> </tr> </thead> <tbody> <tr> <td>H400-A</td> <td>280</td> <td>190</td> <td>130</td> <td>52</td> <td>M40x1,5</td> <td>254</td> <td>164</td> </tr> </tbody> </table>							Product line	H1	B1	T1	T2	2xM	H2	B2	H400-A	280	190	130	52	M40x1,5	254	164
Product line	H1	B1	T1	T2	2xM	H2	B2															
H400-A	280	190	130	52	M40x1,5	254	164															

Enclosed Switches



Product line
H400-A

Enclosed switches

Insulated enclosure

280 x 190 x 130 mm

With cover interlock
in ON position

Cable entries

Blank side walls

780M1 (IP66)

780M4 (IP66)

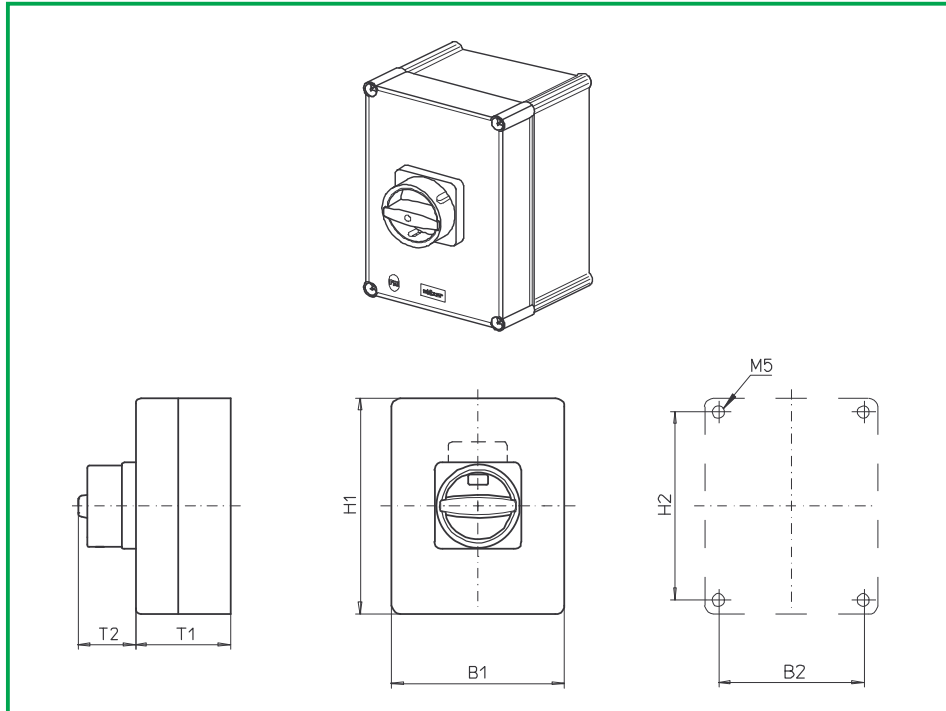
Complete switch	Poles	Product line	Rated data (IEC 60947)			Order code number
			Operational current I_e	Operational power at 380–440 V		
			AC-21A A	AC-23A kW	AC-3 kW	
Main Switches OFF position padlockable 09h	3 ... 4	H400-A	63	22	18,5	H406 - 41 ... - 780M1
			80	30	22	H408 - 41 ... - 780M1
			100	37	30	H410 - 41 ... - 780M1
			125	45	37	H412 - 41 ... - 780M1
Main/Emergency-Off Switches OFF position padlockable 09h	3 ... 4	H400-A	63	22	18,5	H406 - 41 ... - 780M4
			80	30	22	H408 - 41 ... - 780M4
			100	37	30	H410 - 41 ... - 780M4
			125	45	37	H412 - 41 ... - 780M4

Realisable switching programmes:
 3-pole **41300**, 41311, 41320, 41322, 41331, 41340
 3-pole+N **46300**, 46311, 46320
 4-pole **41400**, 41411, 41420

SMD modules for basic switch A02		
Mounting form module for 780M1/ 780M4	H400-A	BFA4 - E8
Enclosure module, mounting form 780M1		PAH4 - 780M1
Enclosure module, mounting form 780M4		PAH4 - 780M4

Dimensions (mm)						
Product line	H1	B1	T1	T2	H2	B2
H400-A	280	190	130	50	254	164

Enclosed Switches



Product line
H400-A

Enclosed switches

Insulated enclosure

280 x 190 x 130 mm

With cover interlock
in ON position

Cable entries

Blank side walls

780N1 (IP66)

780N4 (IP66)

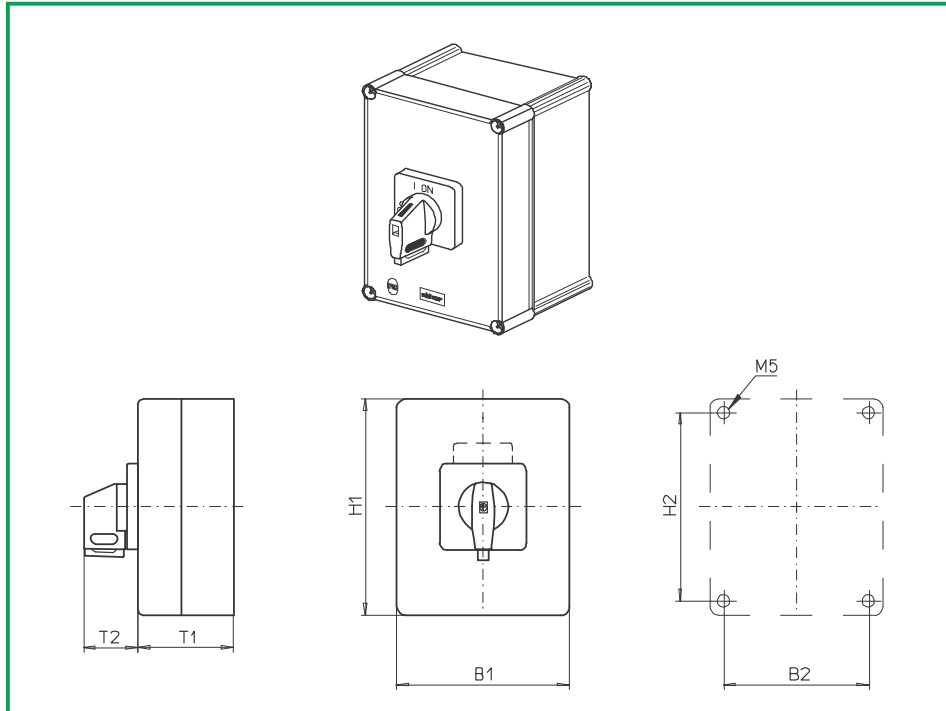
Complete switch	Poles	Product line	Rated data (IEC 60947)			Order code number
			Operational current I_e	Operational power at 380–440 V		
			AC-21A A	AC-23A kW	AC-3 kW	
Main Switches OFF position padlockable 09h	3 ... 4	H400-A	63	22	18,5	H406 - 41 ... - 780N1
			80	30	22	H408 - 41 ... - 780N1
			100	37	30	H410 - 41 ... - 780N1
			125	45	37	H412 - 41 ... - 780N1
Main/Emergency-Off Switches OFF position padlockable 09h	3 ... 4	H400-A	63	22	18,5	H406 - 41 ... - 780N4
			80	30	22	H408 - 41 ... - 780N4
			100	37	30	H410 - 41 ... - 780N4
			125	45	37	H412 - 41 ... - 780N4

Realisable switching programmes:
 3-pole **41300**, 41311, 41320, 41322, 41331, 41340
 3-pole+N **46300**, 46311, 46320
 4-pole **41400**, 41411, 41420

SMD modules for basic switch A02		
Mounting form module for 780N1/ 780N4	H400-A	BFA4 - E8
Enclosure module, mounting form 780N1		PAH4 - 780N1
Enclosure module, mounting form 780N4		PAH4 - 780N4

Dimensions (mm)						
Product line	H1	B1	T1	T2	H2	B2
H400-A	280	190	130	45	254	164

Enclosed Switches



**Product line
H400-A**

Enclosed switches

Insulated enclosure
280 x 190 x 130 mm

With cover interlock
in ON position

Cable entries
Blank side walls

780V1 (IP66)
780V4 (IP66)

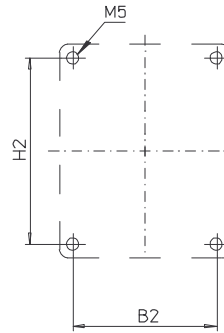
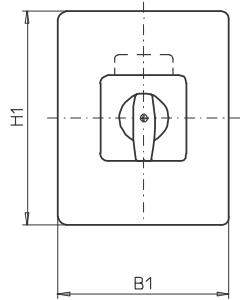
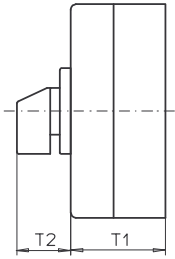
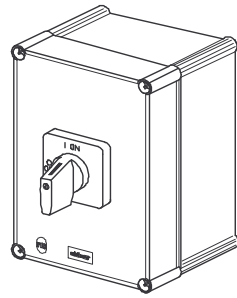
Complete switch	Poles	Product line	Rated data (IEC 60947)			Order code number
			Operational current I_e	Operational power at 380–440 V		
			AC-21A A	AC-23A kW	AC-3 kW	
Main Switches OFF position padlockable 09h	3 ... 4	H400-A	63	22	18,5	H406 - 41 ... - 780V1
			80	30	22	H408 - 41 ... - 780V1
			100	37	30	H410 - 41 ... - 780V1
			125	45	37	H412 - 41 ... - 780V1
Main/Emergency-Off Switches OFF position padlockable 09h	3 ... 4	H400-A	63	22	18,5	H406 - 41 ... - 780V4
			80	30	22	H408 - 41 ... - 780V4
			100	37	30	H410 - 41 ... - 780V4
			125	45	37	H412 - 41 ... - 780V4

Realisable switching programmes:
 3-pole **41300**, 41311, 41320, 41322, 41331, 41340
 3-pole+N **46300**, 46311, 46320
 4-pole **41400**, 41411, 41420

SMD modules for basic switch A02			
Mounting form module for 780V1/ 780V4		H400-A	BFA4 - E8
Enclosure module, mounting form 780V1			PAH4 - 780V1
Enclosure module, mounting form 780V4			PAH4 - 780V4
Legend plate silver, mounting form 780V1			FAS4 - 9... (FA number)
Legend plate yellow, mounting form 780V4			FBS4 - 9... (FA number)

Dimensions (mm)						
Product line	H1	B1	T1	T2	H2	B2
H400-A	280	190	130	39	254	164

Enclosed Switches



Product line
H400-A

Enclosed switches

Insulated enclosure
280 x 190 x 130 mm

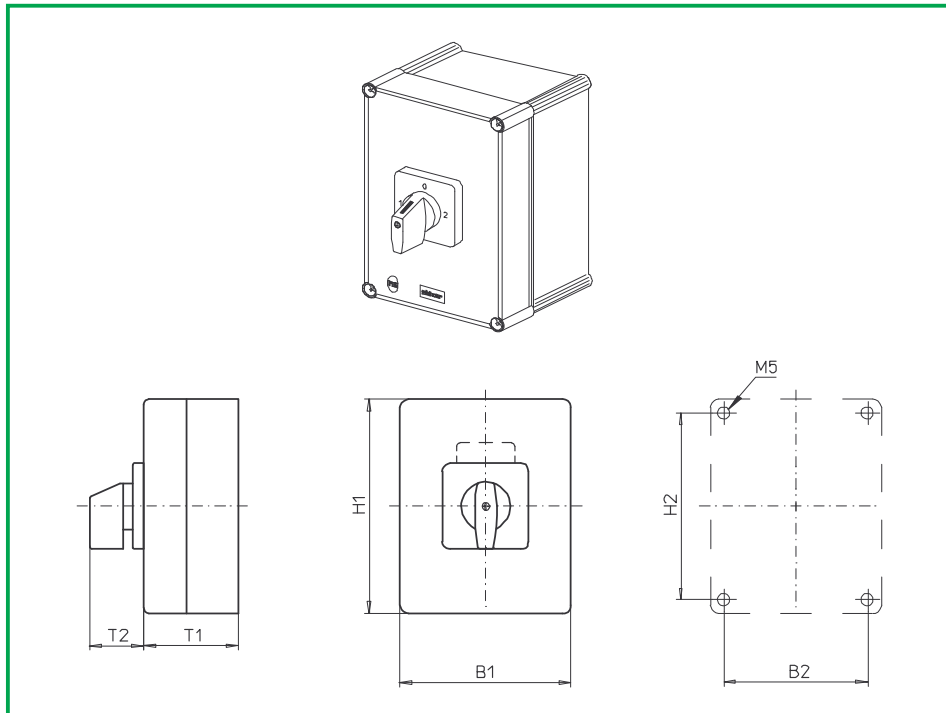
With cover interlock
in ON position

Cable entries
Blank side walls

781M1 (IP66)

Complete switch	Poles	Product line	Rated data (IEC 60947)			Order code number
			Operational current I _e	Operational power at 380–440 V		
			AC-21A A	AC-23A kW	AC-3 kW	
ON-OFF Switches Switching angle 90°	3 ... 4	H400-A	63	22	18,5	H406 - 41 ... - 781M1
			80	30	22	H408 - 41 ... - 781M1
			100	37	30	H410 - 41 ... - 781M1
			125	45	37	H412 - 41 ... - 781M1
Realisable switching programmes:						
3-pole 41300 , 41311, 41320, 41322, 41331, 41340						
3-pole+N 46300 , 46311, 46320						
4-pole 41400 , 41411, 41420						
SMD modules for basic switch A02						
Mounting form module for 781M1			H400-A		BFA4 - E8	
Enclosure module, mounting form 781M1					PAH4 - 781M1	
Legend plate silver, enclosure module 781M1					FAS6 - 9078	
Dimensions (mm)						
Product line	H1	B1	T1	T2	H2	B2
H400-A	280	190	130	52	254	164

Enclosed Switches



Product line
H400-E

Enclosed switches

Insulated enclosure

280 x 190 x 130 mm

With cover interlock
in ON position

with PE-terminal M8

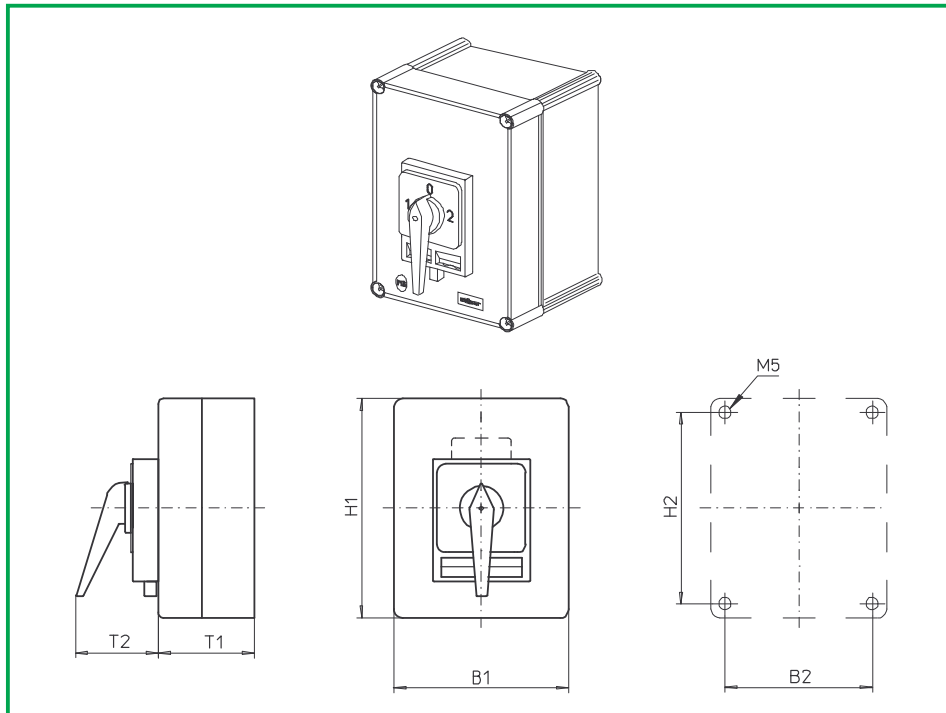
Cable entries

Blank side walls

785M1 (IP66)

Complete switch	Poles	Product line	Rated data (IEC 60947)			Order code number
			Operational current I _e	Operational power at 380–440 V		
			AC-21A A	AC-23A kW	AC-3 kW	
Changeover with OFF Switching angle 90°	2	H400-E	63	22	18,5	H406 - 71 ... - 785M1
			80	30	22	H408 - 71 ... - 785M1
			100	37	30	H410 - 71 ... - 785M1
			125	45	37	H412 - 71 ... - 785M1
Realisable switching programmes: 2-pole 71200						
SMD modules for basic switch A02						
Mounting form module for 785M1			H400-E		BFD4 - ED	
Enclosure module, mounting form 785M1					PAH4 - 785M1	
Legend plate silver, enclosure module 785M					FAS4 - 9... (FA number)	
Dimensions (mm)						
Product line	H1	B1	T1	T2	H2	B2
H400-E	280	190	130	39	254	164

Enclosed Switches



Product line
H400-E

Enclosed switches

Insulated enclosure

280 x 190 x 130 mm

With cover interlock
in ON position

with PE-terminal M8

Cable entries

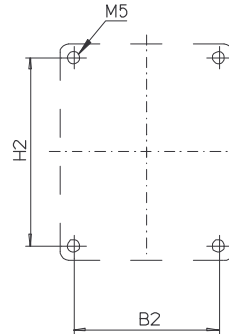
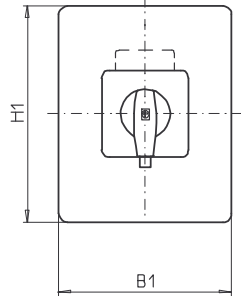
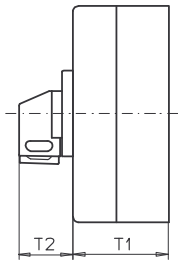
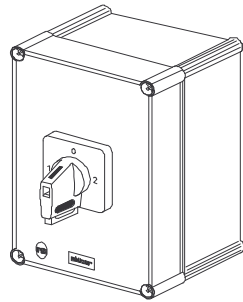
Blank side walls

785H1 (IP66)

786H1 (IP66)

Complete switch	Poles	Product line	Rated data (IEC 60947)			Order code number
			Operational current I _e	Operational power at 380–440 V		
			AC-21A A	AC-23A kW	AC-3 kW	
Changeover with OFF Switching angle 90° OFF position padlockable 12h	2	H400-E	63	22	18,5	H406 - 71 ... - 785H1
			80	30	22	H408 - 71 ... - 785H1
			100	37	30	H410 - 71 ... - 785H1
			125	45	37	H412 - 71 ... - 785H1
Changeover with OFF Switching angle 90° 3 positions padlockable (09h/ 12h/ 03h)	2	H400-E	63	22	18,5	H406 - 71 ... - 786H1
			80	30	22	H408 - 71 ... - 786H1
			100	37	30	H410 - 71 ... - 786H1
			125	45	37	H412 - 71 ... - 786H1
Realisable switching programmes: 2-pole 71200						
SMD modules for basic switch A02						
Mounting form module for 785H1/ 786H1			H400-E		BFD4 - ED	
Enclosure module, mounting form 785H1					PAH4 - 785H1	
Enclosure module, mounting form 786H1					PAH4 - 786H1	
Legend plate silver, mounting form 785H1/ 786H1					FAS4 - 9... (FA number)	
Dimensions (mm)						
Product line	H1	B1	T1	T2	H2	B2
H400-E	280	190	130	75	254	164

Enclosed Switches



Product line
H400-E

Enclosed switches

Insulated enclosure

280 x 190 x 130 mm

With cover interlock
in ON position

with PE-terminal M8

Cable entries

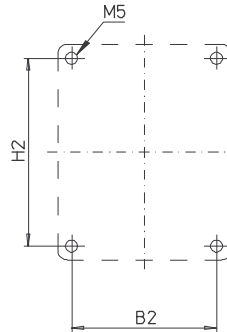
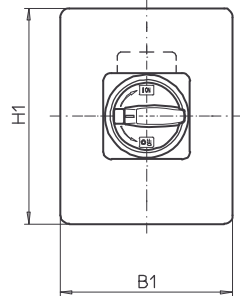
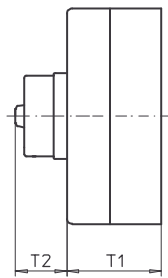
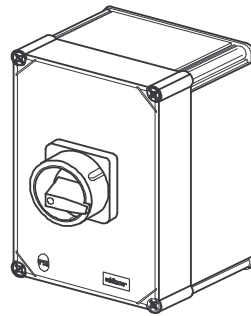
Blank side walls

785V1 (IP66)

786V1 (IP66)

Complete switch	Poles	Product line	Rated data (IEC 60947)			Order code number
			Operational current I _e	Operational power at 380–440 V		
			AC-21A A	AC-23A kW	AC-3 kW	
Changeover with OFF Switching angle 90° OFF position padlockable 12h	2	H400-E	63	22	18,5	H406 - 71 ... - 785V1
			80	30	22	H408 - 71 ... - 785V1
			100	37	30	H410 - 71 ... - 785V1
			125	45	37	H412 - 71 ... - 785V1
Changeover with OFF Switching angle 90° 3 positions padlockable (09h/ 12h/ 03h)	2	H400-E	63	22	18,5	H406 - 71 ... - 786V1
			80	30	22	H408 - 71 ... - 786V1
			100	37	30	H410 - 71 ... - 786V1
			125	45	37	H412 - 71 ... - 786V1
Realisable switching programmes: 2-pole 71200						
SMD modules for basic switch A02						
Mounting form module for 785V1/ 786V1			H400-E		BFD4 - ED	
Enclosure module, mounting form 785V1					PAH4 - 785V1	
Enclosure module, mounting form 786V1					PAH4 - 786V1	
Legend plate silver, mounting form 785V1/ 786V1					FAS4 - 9... (FA number)	
Dimensions (mm)						
Product line	H1	B1	T1	T2	H2	B2
H400-E	280	190	130	39	254	164

Enclosed Switches



**Product line
H400-A**

Enclosed switches

Insulated enclosure
320 x 220 x 180 mm

With cover interlock
in ON position

with PE-terminal M8

Cable entries
Gland plates

461M1 (IP66)

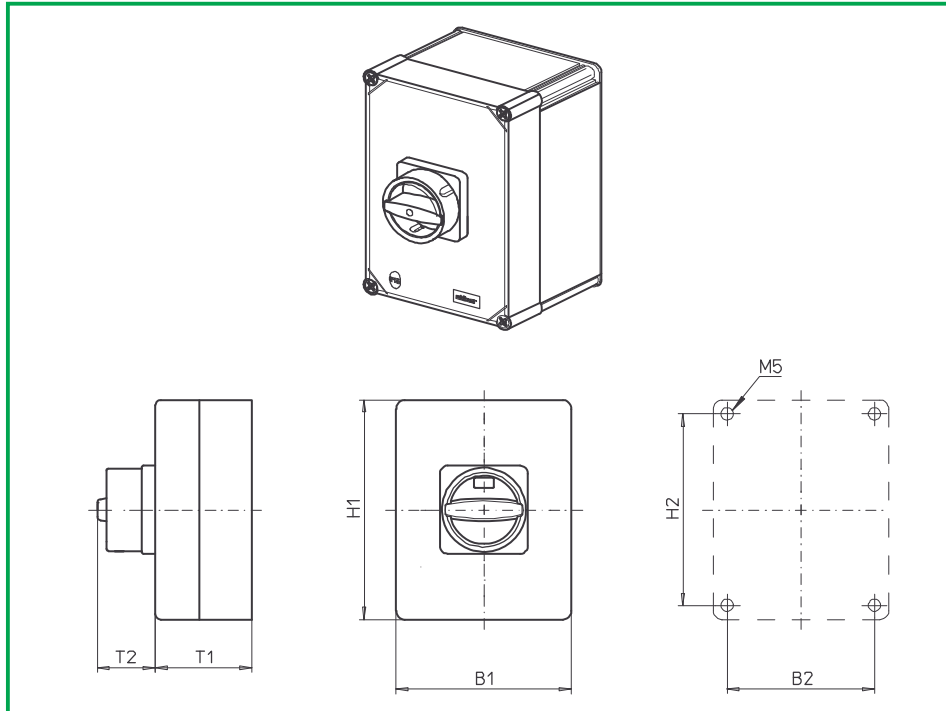
461M4 (IP66)

Complete switch	Poles	Product line	Rated data (IEC 60947)			Order code number
			Operational current I _e	Operational power at 380–440 V		
			AC-21A A	AC-23A kW	AC-3 kW	
Main Switches OFF position padlockable 09h	4	H400-A	63	22	18,5	H406 - 41 ... - 461M1
			80	30	22	H408 - 41 ... - 461M1
			100	37	30	H410 - 41 ... - 461M1
			125	45	37	H412 - 41 ... - 461M1
Main/Emergency-Off Switches OFF position padlockable 09h	4	H400-A	63	22	18,5	H406 - 41 ... - 461M4
			80	30	22	H408 - 41 ... - 461M4
			100	37	30	H410 - 41 ... - 461M4
			125	45	37	H412 - 41 ... - 461M4

SMD modules for basic switch A02		
Mounting form module (switch module ED)	H400-A	BFA4 - ED
Enclosure module, mounting form 461M1		PAH4 - 461M1
Enclosure module, mounting form 461M4		PAH4 - 461M4

Dimensions (mm)						
Product line	H1	B1	T1	T2	H2	B2
H400-A	320	220	180	50	293	193

Enclosed Switches



Product line
H400-A

Enclosed switches

Insulated enclosure
320 x 220 x 180 mm

With cover interlock
in ON position

with PE-terminal M8

Cable entries
Gland plates

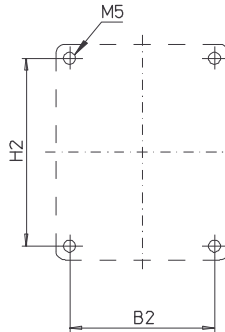
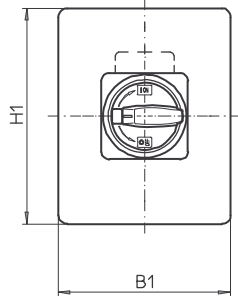
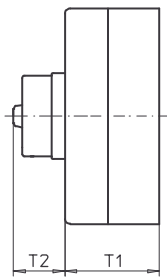
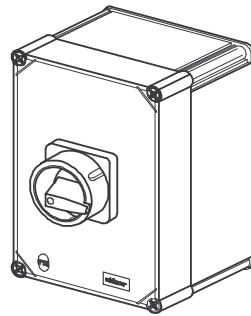
461N1 (IP66)
461N4 (IP66)

Complete switch	Poles	Product line	Rated data (IEC 60947)			Order code number
			Operational current I_e	Operational power at 380–440 V		
			AC-21A A	AC-23A kW	AC-3 kW	
Main Switches OFF position padlockable 09h	4	H400-A	63	22	18,5	H406 - 41 ... - 461N1
			80	30	22	H408 - 41 ... - 461N1
			100	37	30	H410 - 41 ... - 461N1
			125	45	37	H412 - 41 ... - 461N1
Main/Emergency-Off Switches OFF position padlockable 09h	4	H400-A	63	22	18,5	H406 - 41 ... - 461N4
			80	30	22	H408 - 41 ... - 461N4
			100	37	30	H410 - 41 ... - 461N4
			125	45	37	H412 - 41 ... - 461N4

SMD modules for basic switch A02		
Mounting form module (switch module ED)	H400-A	BFA4 - ED
Enclosure module, mounting form 461N1		PAH4 - 461N1
Enclosure module, mounting form 461N4		PAH4 - 461N4

Dimensions (mm)						
Product line	H1	B1	T1	T2	H2	B2
H400-A	320	220	180	45	293	193

Enclosed Switches



Product line
H400-A

Enclosed switches

Insulated enclosure
320 x 220 x 180 mm

With cover interlock
in ON position

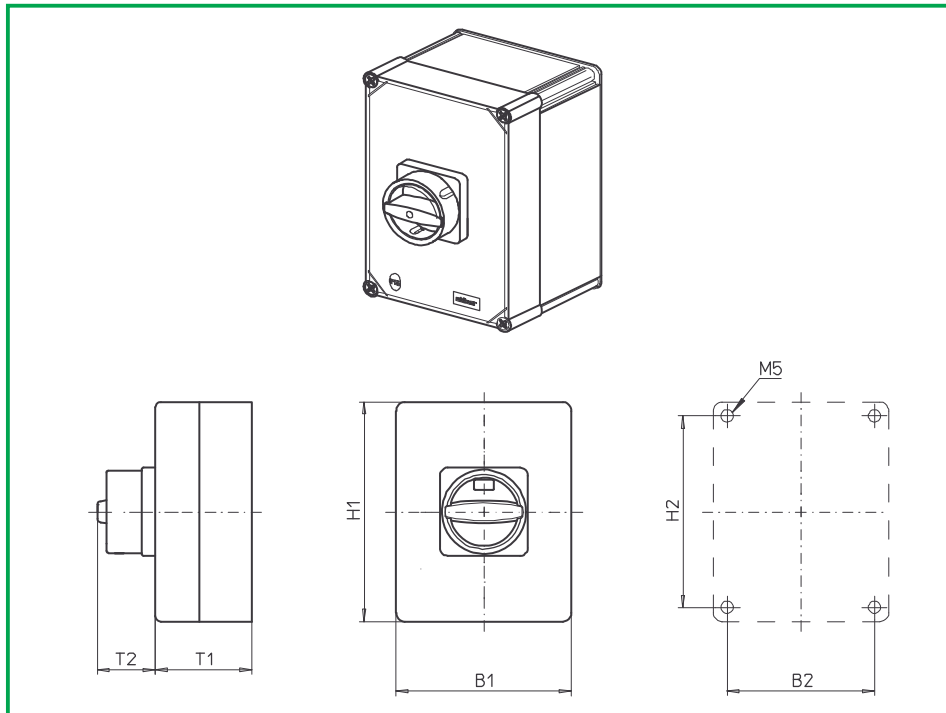
Cable entries
Gland plates

471M1 (IP66)

471M4 (IP66)

Complete switch	Poles	Product line	Rated data (IEC 60947)			Order code number
			Operational current I _e	Operational power at 380–440 V		
			AC-21A A	AC-23A kW	AC-3 kW	
Main Switches OFF position padlockable 09h	3 ... 4	H400-A	63	22	18,5	H406 - 41 ... - 471M1
			80	30	22	H408 - 41 ... - 471M1
			100	37	30	H410 - 41 ... - 471M1
			125	45	37	H412 - 41 ... - 471M1
Main/Emergency-Off Switches OFF position padlockable 09h	3 ... 4	H400-A	63	22	18,5	H406 - 41 ... - 471M4
			80	30	22	H408 - 41 ... - 471M4
			100	37	30	H410 - 41 ... - 471M4
			125	45	37	H412 - 41 ... - 471M4
SMD modules for basic switch A02						
Mounting form module (switch module ED)			H400-A			BFA4 - ED
Enclosure module, mounting form 471M1						PAH4 - 471M1
Enclosure module, mounting form 471M4						PAH4 - 471M4
Dimensions (mm)						
Product line	H1	B1	T1	T2	H2	B2
H400-A	320	220	180	50	293	193

Enclosed Switches



Product line
H400-A

Enclosed switches

Insulated enclosure
320 x 220 x 180 mm

With cover interlock
in ON position

Cable entries
Gland plates

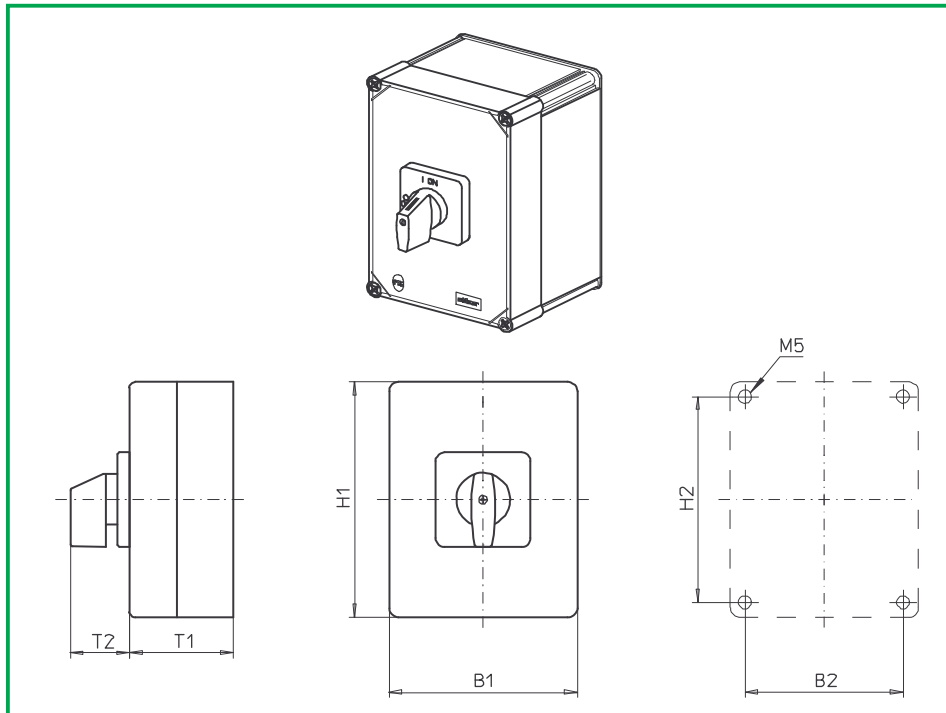
471N1 (IP66)
471N4 (IP66)

Complete switch	Poles	Product line	Rated data (IEC 60947)			Order code number
			Operational current I_e	Operational power at 380–440 V		
			AC-21A A	AC-23A kW	AC-3 kW	
Main Switches OFF position padlockable 09h	3 ... 4	H400-A	63	22	18,5	H406 - 41 ... - 471N1
			80	30	22	H408 - 41 ... - 471N1
			100	37	30	H410 - 41 ... - 471N1
			125	45	37	H412 - 41 ... - 471N1
Main/Emergency-Off Switches OFF position padlockable 09h	3 ... 4	H400-A	63	22	18,5	H406 - 41 ... - 471N4
			80	30	22	H408 - 41 ... - 471N4
			100	37	30	H410 - 41 ... - 471N4
			125	45	37	H412 - 41 ... - 471N4

SMD modules for basic switch A02		
Mounting form module (switch module ED)	H400-A	BFA4 - ED
Enclosure module, mounting form 471N1		PAH4 - 471N1
Enclosure module, mounting form 471N4		PAH4 - 471N4

Dimensions (mm)						
Product line	H1	B1	T1	T2	H2	B2
H400-A	320	220	180	45	293	193

Enclosed Switches



Product lines
H400-D/ E

Enclosed switches

Insulated enclosure
320 x 220 x 180 mm

With cover interlock
in ON position

Cable entries
Gland plates

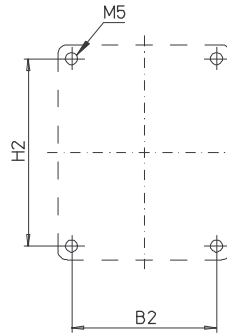
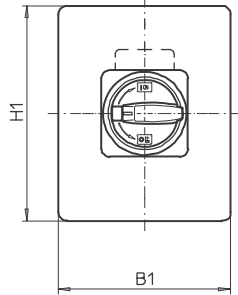
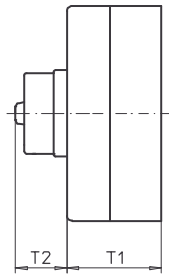
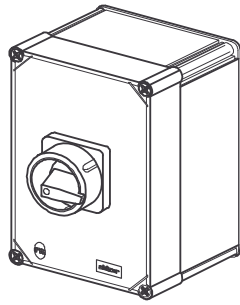
976M1 (IP66)
978M1 (IP66)

Complete switch	Poles	Product line	Rated data (IEC 60947)			Order code number
			Operational current I_e	Operational power at 380–440 V		
			AC-21A A	AC-23A kW	AC-3 kW	
ON-OFF Switches Switching angle 90°	6 ... 8	H400-D	63	22	18,5	H406 - 41 ... - 978M1
			80	30	22	H408 - 41 ... - 978M1
			100	37	30	H410 - 41 ... - 978M1
			125	45	37	H412 - 41 ... - 978M1
Changeover with OFF Switching angle 90°	3 ... 4	H400-E	63	22	18,5	H406 - 71 ... - 976M1
			80	30	22	H408 - 71 ... - 976M1
			100	37	30	H410 - 71 ... - 976M1
			125	45	37	H412 - 71 ... - 976M1

SMD modules for basic switch A02		
Mounting form module (switch module ED)	H400-D	BFB4 - ED
Mounting form module (switch module ED)	H400-E	BFC4 - ED
Enclosure module, mounting form 978M1	H400-D	PAH4 - 978M1
Enclosure module, mounting form 976M1	H400-E	PAH4 - 976M1
Legend plate silver, enclosure module 976M1/ 978M1		FAS6 - 9 ... (FA number)

Dimensions (mm)						
Product lines	H1	B1	T1	T2	H2	B2
H400-D	320	220	180	52	293	193
H400-E	320	220	180	52	293	193

Enclosed Switches



Product line
H400-D

Enclosed switches

Insulated enclosure
320 x 220 x 180 mm

With cover interlock
in ON position

Cable entries
Gland plates

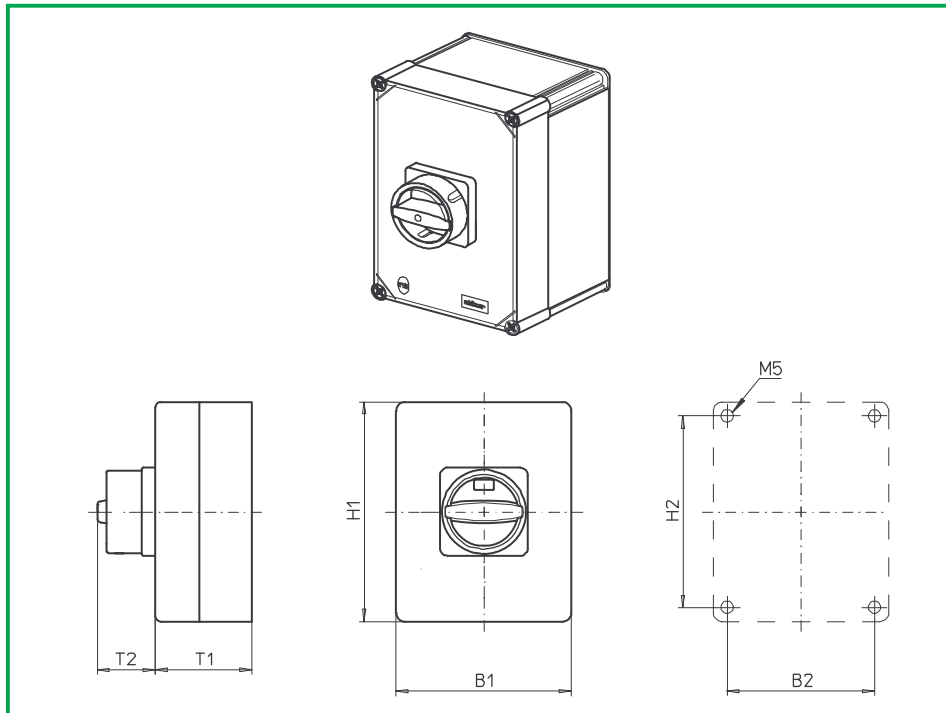
977M1 (IP66)
977M4 (IP66)

Complete switch	Poles	Product line	Rated data (IEC 60947)			Order code number
			Operational current I _e	Operational power at 380–440 V		
			AC-21A A	AC-23A kW	AC-3 kW	
Main Switches OFF position padlockable 09h	6 ... 8	H400-D	63	22	18,5	H406 - 41 ... - 977M1
			80	30	22	H408 - 41 ... - 977M1
			100	37	30	H410 - 41 ... - 977M1
			125	45	37	H412 - 41 ... - 977M1
Main/Emergency-Off Switches OFF position padlockable 09h	6 ... 8	H400-D	63	22	18,5	H406 - 41 ... - 977M4
			80	30	22	H408 - 41 ... - 977M4
			100	37	30	H410 - 41 ... - 977M4
			125	45	37	H412 - 41 ... - 977M4

SMD modules for basic switch A02		
Mounting form module (switch module ED)	H400-D	BFB4 - ED
Enclosure module, mounting form 977M1		PAH4 - 977M1
Enclosure module, mounting form 977M4		PAH4 - 977M4

Dimensions (mm)						
Product line	H1	B1	T1	T2	H2	B2
H400-D	320	220	180	50	293	193

Enclosed Switches



Product line
H400-D

Enclosed switches

Insulated enclosure
320 x 220 x 180 mm

With cover interlock
in ON position

Cable entries
Gland plates

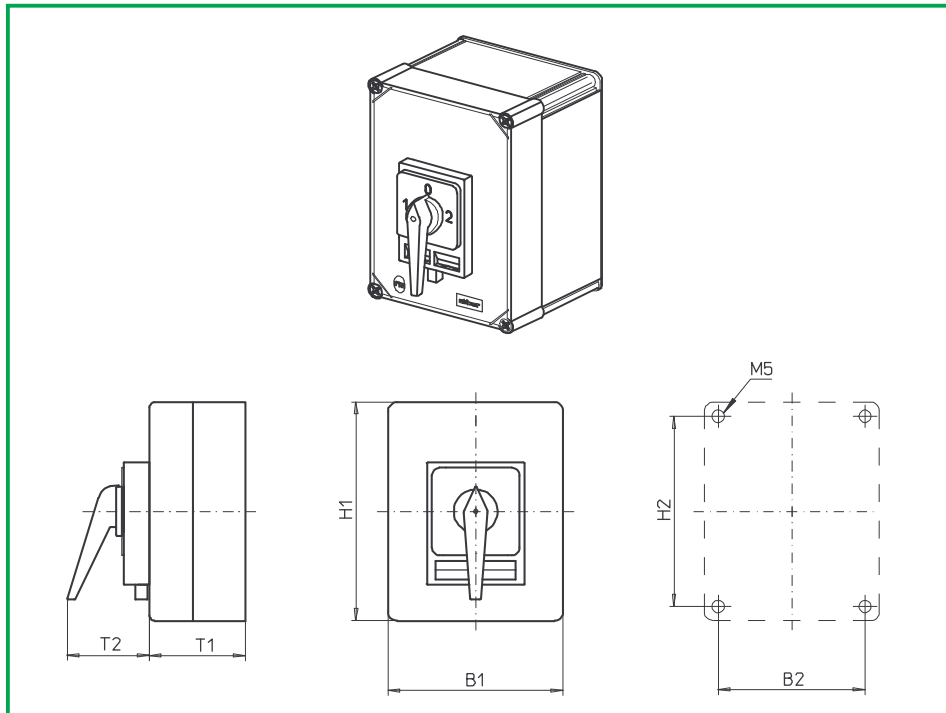
977N1 (IP66)
977N4 (IP66)

Complete switch	Poles	Product line	Rated data (IEC 60947)			Order code number
			Operational current I_e	Operational power at 380–440 V		
			AC-21A A	AC-23A kW	AC-3 kW	
Main Switches OFF position padlockable 09h	6 ... 8	H400-D	63	22	18,5	H406 - 41 ... - 977N1
			80	30	22	H408 - 41 ... - 977N1
			100	37	30	H410 - 41 ... - 977N1
			125	45	37	H412 - 41 ... - 977N1
Main/Emergency-Off Switches OFF position padlockable 09h	6 ... 8	H400-D	63	22	18,5	H406 - 41 ... - 977N4
			80	30	22	H408 - 41 ... - 977N4
			100	37	30	H410 - 41 ... - 977N4
			125	45	37	H412 - 41 ... - 977N4

SMD modules for basic switch A02		
Mounting form module (switch module ED)	H400-D	BFB4 - ED
Enclosure module, mounting form 977N1		PAH4 - 977N1
Enclosure module, mounting form 977N4		PAH4 - 977N4

Dimensions (mm)						
Product line	H1	B1	T1	T2	H2	B2
H400-D	320	220	180	45	293	193

Enclosed Switches



Product line
H400-E

Enclosed switches

Insulated enclosure
320 x 220 x 180 mm

With cover interlock
in ON position

Cable entries
Gland plates

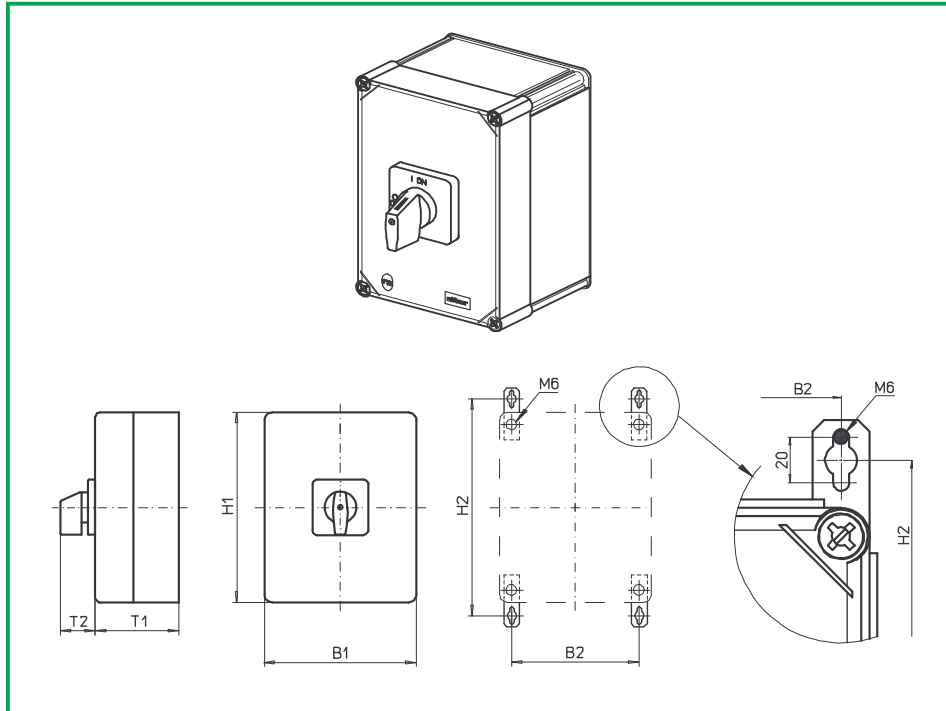
976H1 (IP66)
979H1 (IP66)

Complete switch	Poles	Product line	Rated data (IEC 60947)			Order code number
			Operational current I_e	Operational power at 380–440 V		
			AC-21A A	AC-23A kW	AC-3 kW	
Changeover with OFF Switching angle 90° OFF position padlockable 12h	3 ... 4	H400-E	63	22	18,5	H406 - 71 ... - 976H1
			80	30	22	H408 - 71 ... - 976H1
			100	37	30	H410 - 71 ... - 976H1
			125	45	37	H412 - 71 ... - 976H1
Changeover with OFF Switching angle 90° 3 positions padlockable (09h/ 12h/ 03h)	3 ... 4	H400-E	63	22	18,5	H406 - 71 ... - 979H1
			80	30	22	H408 - 71 ... - 979H1
			100	37	30	H410 - 71 ... - 979H1
			125	45	37	H412 - 71 ... - 979H1

SMD modules for basic switch A02		
Mounting form module for 976H1/979H1	H400-E	BFC4 - ED
Enclosure module, mounting form 976H1		PAH4 - 976H1
Enclosure module, mounting form 979H1		PAH4 - 979H1
Legend plate silver, enclosure module 976H1/979H1		FAS6 - 9 ... (FA number)

Dimensions (mm)						
Product line	H1	B1	T1	T2	H2	B2
H400-E	320	220	180	83	293	193

Enclosed Switches



Product lines
H400-D/ E

Enclosed switches

Insulated enclosure

440 x 320 x 180 mm

With cover interlock
in ON position

with PE-terminal M8

Cable entries

Gland plates

566M1 (IP66)

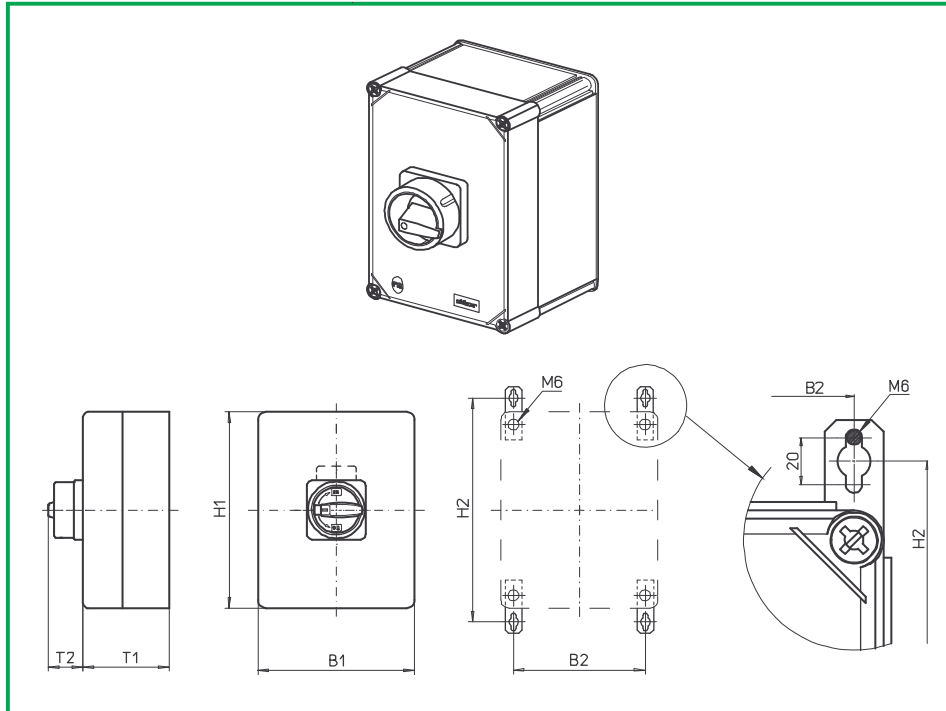
568M1 (IP66)

Complete switch	Poles	Product line	Rated data (IEC 60947)			Order code number
			Operational current I _e	Operational power at 380–440 V		
			AC-21A A	AC-23A kW	AC-3 kW	
ON-OFF Switches Switching angle 90°	8	H400-D	63	22	18,5	H406 - 41 ... - 568M1
			80	30	22	H408 - 41 ... - 568M1
			100	37	30	H410 - 41 ... - 568M1
			125	45	37	H412 - 41 ... - 568M1
Changeover with OFF Switching angle 90°	2 or 4	H400-E	63	22	18,5	H406 - 71 ... - 566M1
			80	30	22	H408 - 71 ... - 566M1
			100	37	30	H410 - 71 ... - 566M1
			125	45	37	H412 - 71 ... - 566M1

SMD modules for basic switch A02		
Mounting form module (switch module ED)	H400-D	BFB4 - ED
Mounting form module (switch module ED)	H400-E	BFC4 - ED
Enclosure module, mounting form 568M1	H400-D	PAH4 - 568M1
Enclosure module, mounting form 566M1	H400-E	PAH4 - 566M1
Legend plate silver, enclosure module 566M1/ 568M1		FAS6 - 9 ... (FA number)
Mounting brackets are part of delivery capacity		

Dimensions (mm)						
Product lines	H1	B1	T1	T2	H2	B2
H400-D	440	320	180	52	480	293
H400-E	440	320	180	52	480	293

Enclosed Switches



Product line
H400-D

Enclosed switches

Insulated enclosure
440 x 320 x 180 mm

With cover interlock
in ON position

with PE-terminal M8

Cable entries
Gland plates

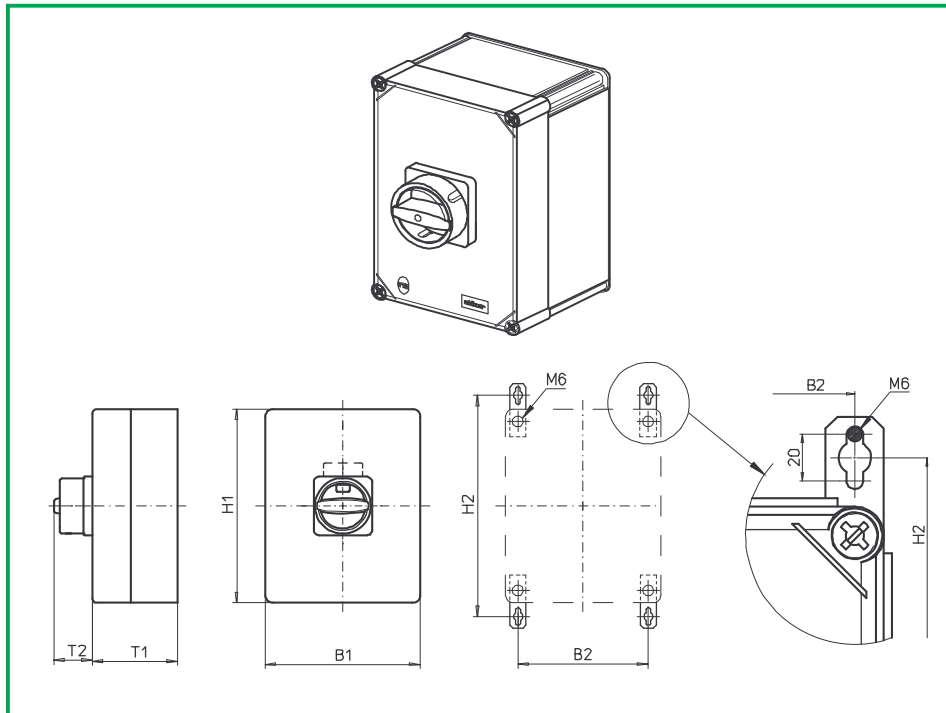
567M1 (IP66)
567M4 (IP66)

Complete switch	Poles	Product line	Rated data (IEC 60947)			Order code number
			Operational current I _e	Operational power at 380–440 V		
			AC-21A A	AC-23A kW	AC-3 kW	
Main Switches OFF position padlockable 09h	8	H400-D	63	22	18,5	H406 - 41 ... - 567M1
			80	30	22	H408 - 41 ... - 567M1
			100	37	30	H410 - 41 ... - 567M1
			125	45	37	H412 - 41 ... - 567M1
Main/Emergency-Off Switches OFF position padlockable 09h	8	H400-D	63	22	18,5	H406 - 41 ... - 567M4
			80	30	22	H408 - 41 ... - 567M4
			100	37	30	H410 - 41 ... - 567M4
			125	45	37	H412 - 41 ... - 567M4

SMD modules for basic switch A02		
Mounting form module (switch module ED)	H400-D	BFB4 - ED
Enclosure module, mounting form 567M1		PAH4 - 567M1
Enclosure module, mounting form 567M4		PAH4 - 567M4
Mounting brackets are part of delivery capacity		

Dimensions (mm)						
Product line	H1	B1	T1	T2	H2	B2
H400-D	440	320	180	50	480	293

Enclosed Switches



Product line
H400-D

Enclosed switches

Insulated enclosure

440 x 320 x 180 mm

With cover interlock
in ON position

with PE-terminal M8

Cable entries

Gland plates

567N1 (IP66)

567N4 (IP66)

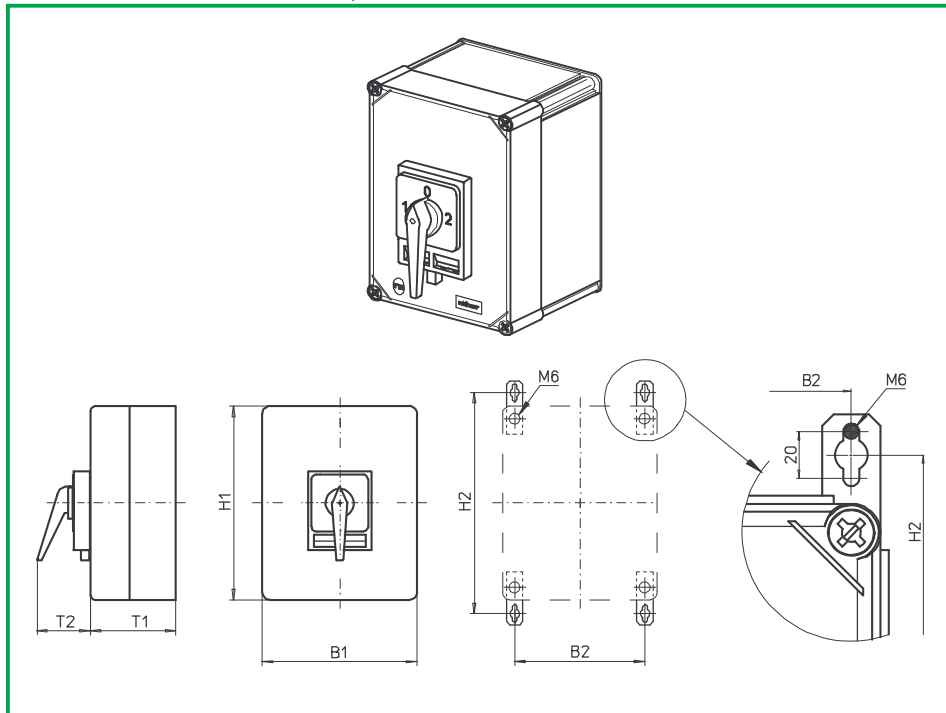
Complete switch	Poles	Product line	Rated data (IEC 60947)			Order code number
			Operational current I _e	Operational power at 380–440 V		
			AC-21A A	AC-23A kW	AC-3 kW	
Main Switches OFF position padlockable 09h	8	H400-D	63	22	18,5	H406 - 41 ... - 567N1
			80	30	22	H408 - 41 ... - 567N1
			100	37	30	H410 - 41 ... - 567N1
			125	45	37	H412 - 41 ... - 567N1
Main/Emergency-Off Switches OFF position padlockable 09h	8	H400-D	63	22	18,5	H406 - 41 ... - 567N4
			80	30	22	H408 - 41 ... - 567N4
			100	37	30	H410 - 41 ... - 567N4
			125	45	37	H412 - 41 ... - 567N4

SMD modules for basic switch A02		
Mounting form module (switch module ED)	H400-D	BFB4 - ED
Enclosure module, mounting form 567N1		PAH4 - 567N1
Enclosure module, mounting form 567N4		PAH4 - 567N4

Mounting brackets are part of delivery capacity

Dimensions (mm)						
Product line	H1	B1	T1	T2	H2	B2
H400-D	440	320	180	45	480	293

Enclosed Switches



Product line
H400-E

Enclosed switches

Insulated enclosure

440 x 320 x 180 mm

With cover interlock
in ON position

with PE-terminal M8

Cable entries

Gland plates

566H1 (IP66)

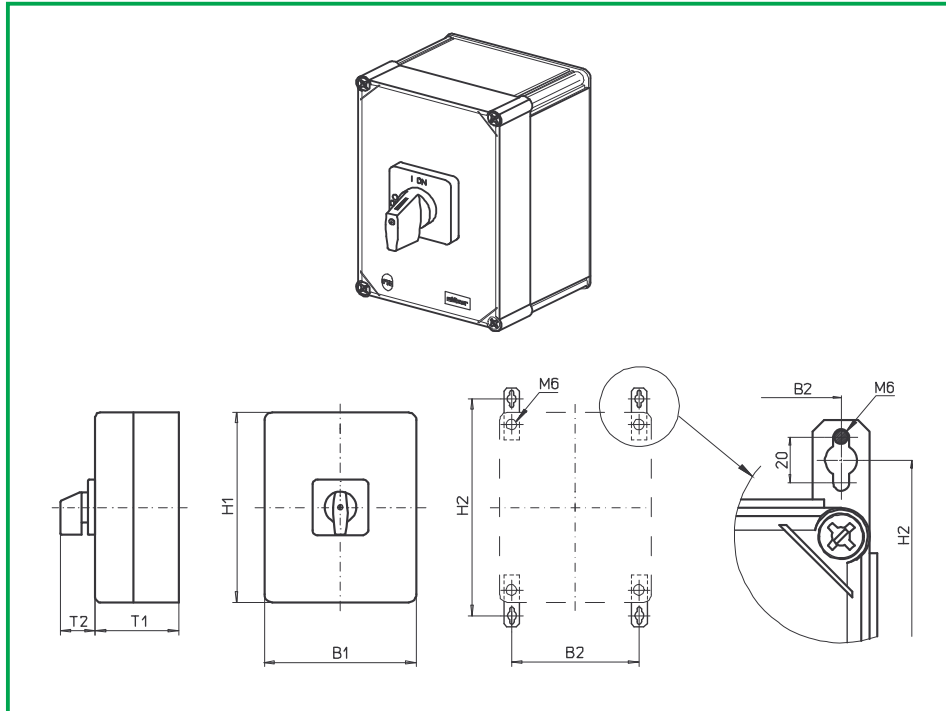
569H1 (IP66)

Complete switch	Poles	Product line	Rated data (IEC 60947)			Order code number
			Operational current I _e	Operational power at 380–440 V		
			AC-21A A	AC-23A kW	AC-3 kW	
Changeover with OFF Switching angle 90° OFF position padlockable 12h	2 or 4	H400-E	63	22	18,5	H406 - 71 ... - 566H1
			80	30	22	H408 - 71 ... - 566H1
			100	37	30	H410 - 71 ... - 566H1
			125	45	37	H412 - 71 ... - 566H1
Changeover with OFF Switching angle 90° 3 positions padlockable (09h/ 12h/ 03h)	2 or 4	H400-E	63	22	18,5	H406 - 71 ... - 569H1
			80	30	22	H408 - 71 ... - 569H1
			100	37	30	H410 - 71 ... - 569H1
			125	45	37	H412 - 71 ... - 679H1

SMD modules for basic switch A02		
Mounting form module for 566H1/569H1	H400-E	BFC4 - ED
Enclosure module, mounting form 566H1		PAH4 - 566H1
Enclosure module, mounting form 569H1		PAH4 - 569H1
Legend plate silver, enclosure module 566H1/569H1		FAS6 - 9 ... (FA number)
Mounting brackets are part of delivery capacity		

Dimensions (mm)						
Product line	H1	B1	T1	T2	H2	B2
H400-E	440	320	180	83	480	293

Enclosed Switches



Product lines
H400-D/ E

Enclosed switches

Insulated enclosure
440 x 320 x 180 mm

With cover interlock
in ON position

Cable entries
Gland plates

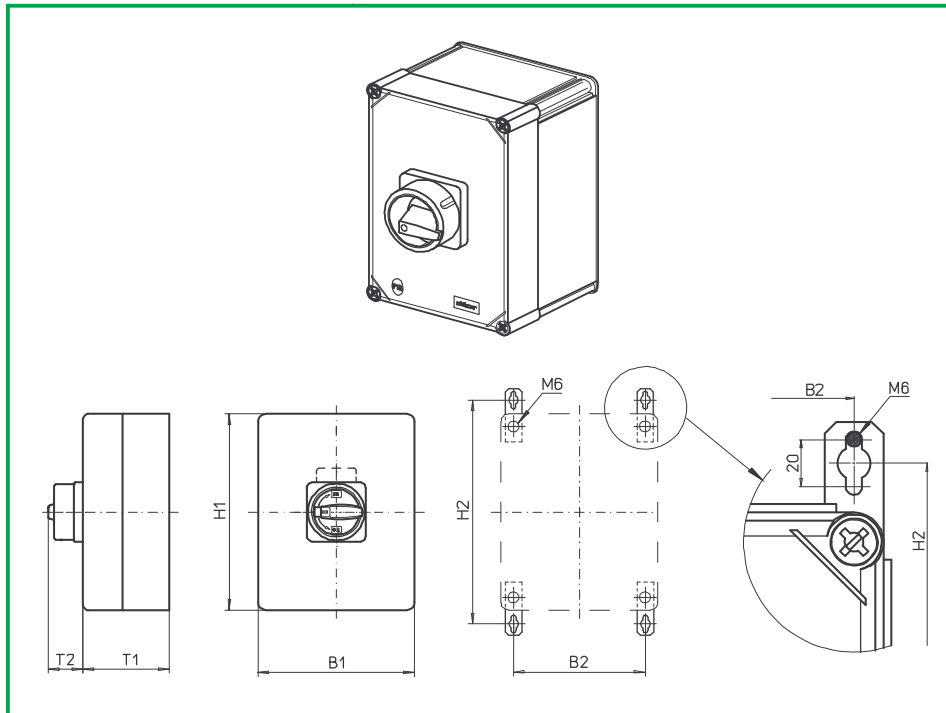
576M1 (IP66)
578M1 (IP66)

Complete switch	Poles	Product line	Rated data (IEC 60947)			Order code number
			Operational current I _e	Operational power at 380–440 V		
			AC-21A A	AC-23A kW	AC-3 kW	
ON-OFF Switches Switching angle 90°	6 ... 8	H400-D	63	22	18,5	H406 - 41 ... - 578M1
			80	30	22	H408 - 41 ... - 578M1
			100	37	30	H410 - 41 ... - 578M1
			125	45	37	H412 - 41 ... - 578M1
Changeover with OFF Switching angle 90°	3 ... 4	H400-E	63	22	18,5	H406 - 71 ... - 576M1
			80	30	22	H408 - 71 ... - 576M1
			100	37	30	H410 - 71 ... - 576M1
			125	45	37	H412 - 71 ... - 576M1

SMD modules for basic switch A02		
Mounting form module (switch module ED)	H400-D	BFB4 - ED
Mounting form module (switch module ED)	H400-E	BFC4 - ED
Enclosure module, mounting form 578M1	H400-D	PAH4 - 578M1
Enclosure module, mounting form 576M1	H400-E	PAH4 - 576M1
Legend plate silver, enclosure module 576M1/ 578M1		FAS6 - 9 ... (FA number)
Mounting brackets are part of delivery capacity		

Dimensions (mm)						
Product lines	H1	B1	T1	T2	H2	B2
H400-D	440	320	180	52	480	293
H400-E	440	320	180	52	480	293

Enclosed Switches



Product line
H400-D

Enclosed switches

Insulated enclosure
440 x 320 x 180 mm

With cover interlock
in ON position

Cable entries
Gland plates

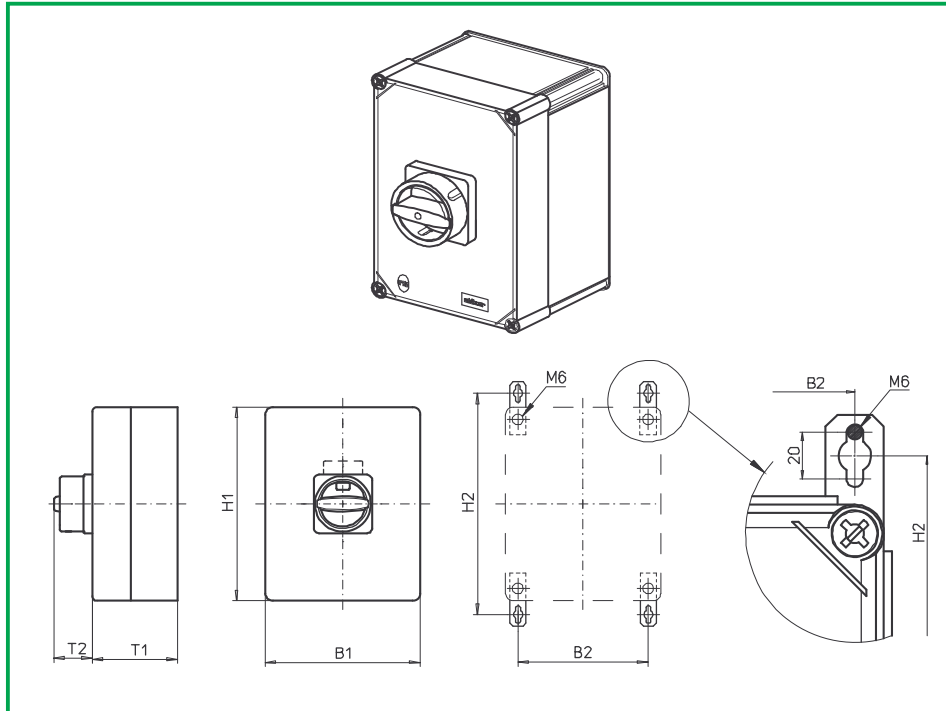
577M1 (IP66)
577M4 (IP66)

Complete switch	Poles	Product line	Rated data (IEC 60947)			Order code number
			Operational current I_e	Operational power at 380–440 V		
			AC-21A A	AC-23A kW	AC-3 kW	
Main Switches OFF position padlockable 09h	6 ... 8	H400-D	63	22	18,5	H406 - 41 ... - 577M1
			80	30	22	H408 - 41 ... - 577M1
			100	37	30	H410 - 41 ... - 577M1
			125	45	37	H412 - 41 ... - 577M1
Main/Emergency-Off Switches OFF position padlockable 09h	6 ... 8	H400-D	63	22	18,5	H406 - 41 ... - 577M4
			80	30	22	H408 - 41 ... - 577M4
			100	37	30	H410 - 41 ... - 577M4
			125	45	37	H412 - 41 ... - 577M4

SMD modules for basic switch A02		
Mounting form module (switch module ED)	H400-D	BFB4 - ED
Enclosure module, mounting form 577M1		PAH4 - 577M1
Enclosure module, mounting form 577M4		PAH4 - 577M4
Mounting brackets are part of delivery capacity		

Dimensions (mm)						
Product line	H1	B1	T1	T2	H2	B2
H400-D	440	320	180	50	480	293

Enclosed Switches



Product line
H400-D

Enclosed switches

Insulated enclosure
440 x 320 x 180 mm

With cover interlock
in ON position

Cable entries
Gland plates

577N1 (IP66)
577N4 (IP66)

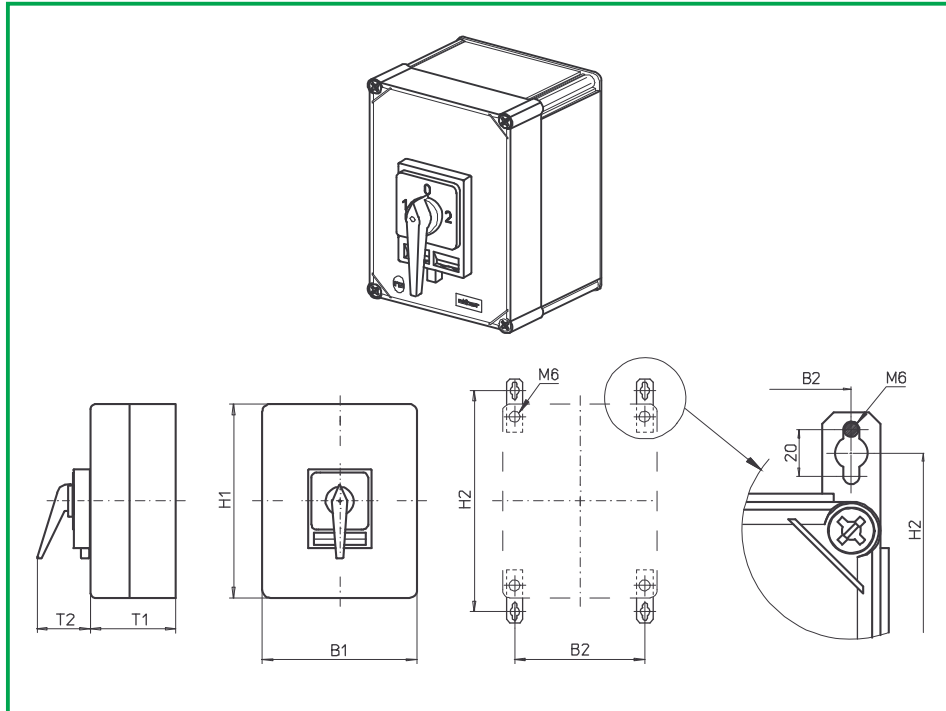
Complete switch	Poles	Product line	Rated data (IEC 60947)			Order code number
			Operational current I _e	Operational power at 380–440 V		
			AC-21A A	AC-23A kW	AC-3 kW	
Main Switches OFF position padlockable 09h	6 ... 8	H400-D	63	22	18,5	H406 - 41 ... - 577N1
			80	30	22	H408 - 41 ... - 577N1
			100	37	30	H410 - 41 ... - 577N1
			125	45	37	H412 - 41 ... - 577N1
Main/Emergency-Off Switches OFF position padlockable 09h	6 ... 8	H400-D	63	22	18,5	H406 - 41 ... - 577N4
			80	30	22	H408 - 41 ... - 577N4
			100	37	30	H410 - 41 ... - 577N4
			125	45	37	H412 - 41 ... - 577N4

SMD modules for basic switch A02		
Mounting form module (switch module ED)	H400-D	BFB4 - ED
Enclosure module, mounting form 577N1		PAH4 - 577N1
Enclosure module, mounting form 577N4		PAH4 - 577N4

Mounting brackets are part of delivery capacity

Dimensions (mm)						
Product line	H1	B1	T1	T2	H2	B2
H400-D	440	320	180	45	480	293

Enclosed Switches



Product line
H400-E

Enclosed switches

Insulated enclosure
440 x 320 x 180 mm

With cover interlock
in ON position

Cable entries
Gland plates

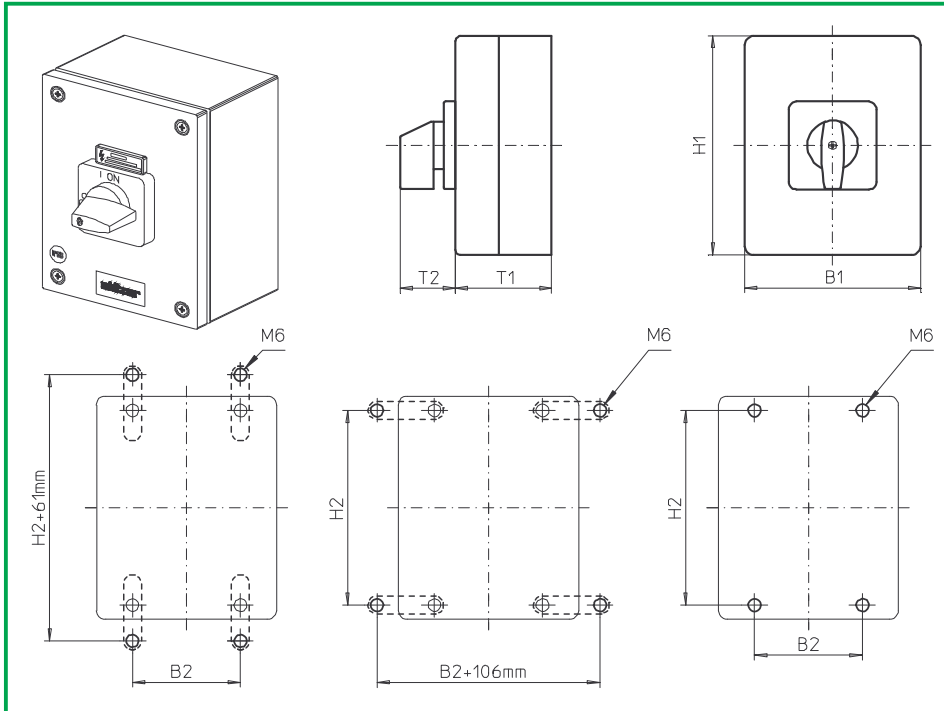
576H1 (IP66)
579H1 (IP66)

Complete switch	Poles	Product line	Rated data (IEC 60947)			Order code number
			Operational current I _e	Operational power at 380–440 V		
			AC-21A A	AC-23A kW	AC-3 kW	
Changeover with OFF Switching angle 90° OFF position padlockable 12h	3 ... 4	H400-E	63	22	18,5	H406 - 71 ... - 576H1
			80	30	22	H408 - 71 ... - 576H1
			100	37	30	H410 - 71 ... - 576H1
			125	45	37	H412 - 71 ... - 576H1
Changeover with OFF Switching angle 90° 3 positions padlockable (09h/ 12h/ 03h)	3 ... 4	H400-E	63	22	18,5	H406 - 71 ... - 579H1
			80	30	22	H408 - 71 ... - 579H1
			100	37	30	H410 - 71 ... - 579H1
			125	45	37	H412 - 71 ... - 579H1

SMD modules for basic switch A02		
Mounting form module for 576H1/579H1	H400-E	BFC4 - ED
Enclosure module, mounting form 576H1		PAH4 - 576H1
Enclosure module, mounting form 579H1		PAH4 - 579H1
Legend plate silver, enclosure module 576H1/579H1		FAS6 - 9 ... (FA number)
Mounting brackets are part of delivery capacity		

Dimensions (mm)						
Product line	H1	B1	T1	T2	H2	B2
H400-E	440	320	180	83	480	293

Enclosed Switches



Product line
H400-A

Enclosed switches

Mild steel enclosure
200 x 150 x 120 mm

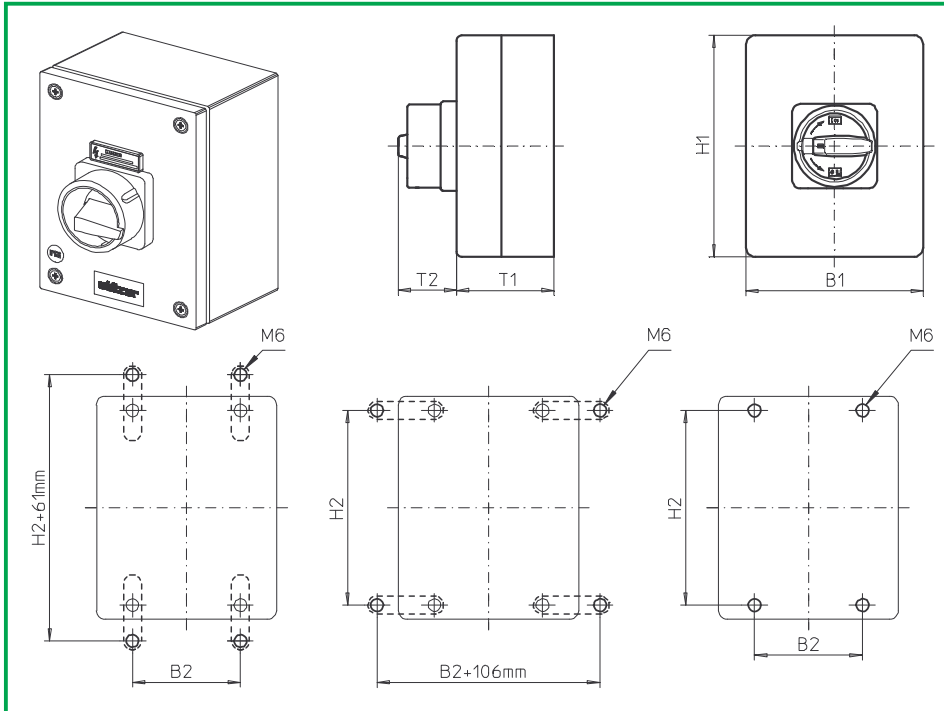
With cover interlock
in ON position

Cable entries
without

986M1 (IP66)

Complete switch	Poles	Product line	Rated data (IEC 60947)			Order code number
			Operational current I_e	Operational power at 380–440 V		
			AC-21A A	AC-23A kW	AC-3 kW	
ON-OFF Switches Switching angle 90°	3 ... 4	H400-A	63 80	22 30	18,5 22	H406 - 41 ... - 986M1 H408 - 41 ... - 986M1
Mounting brackets for enclosure modules SA (1 set) (Please order separately – accessories see page D5-1)						SAX1
SMD modules for basic switch A02						
Enclosure module, mounting form 986M1			H400-A		SAH4 - 986M1	
Legend plate silver, enclosure module 986M1					FAS6 - 9078	
Mounting brackets for enclosure modules SA (1 set) (Please order separately – accessories see page D5-1)						SAX1
Dimensions (mm)						
Product line	H1	B1	T1	T2	H2	B2
H400-A	200	150	120	52	182	85

Enclosed Switches



Product line
H400-A

Enclosed switches

Mild steel enclosure
200 x 150 x 120 mm

With cover interlock
in ON position

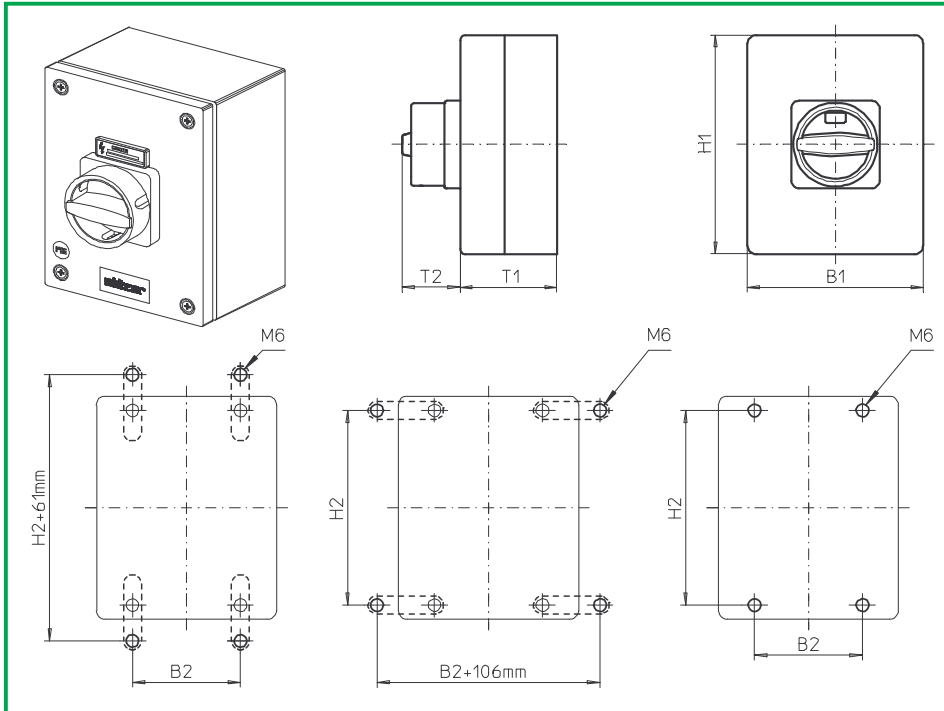
Cable entries
without

987M1 (IP66)

987M4 (IP66)

Complete switch	Poles	Product line	Rated data (IEC 60947)			Order code number
			Operational current I _e	Operational power at 380–440 V		
			AC-21A A	AC-23A kW	AC-3 kW	
Main Switches	3 ... 4	H400-A	63	22	18,5	H406 - 41 ... - 987M1
OFF position padlockable 09h			80	30	22	H408 - 41 ... - 987M1
Main/Emergency-Off Switches	3 ... 4	H400-A	63	22	18,5	H406 - 41 ... - 987M4
OFF position padlockable 09h			80	30	22	H408 - 41 ... - 987M4
SMD modules for basic switch A02						
Enclosure module, mounting form 987M1			H400-A			SAH4 - 987M1
Enclosure module, mounting form 987M4						SAH4 - 987M4
Mounting brackets for enclosure modules SA (1 set) (Please order separately – accessories see page D5-1)						SAX1
Dimensions (mm)						
Product line	H1	B1	T1	T2	H2	B2
H400-A	200	150	120	50	182	85

Enclosed Switches



Product line
H400-A

Enclosed switches

Mild steel enclosure
200 x 150 x 120 mm

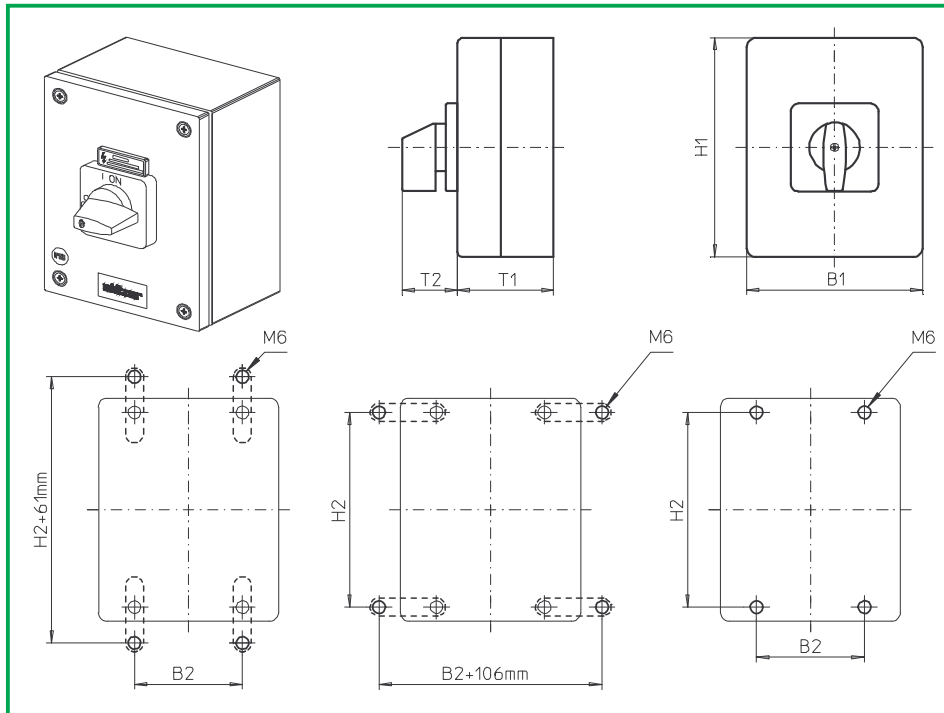
With cover interlock
in ON position

Cable entries
without

987N1 (IP66)
987N4 (IP66)

Complete switch	Poles	Product line	Rated data (IEC 60947)			Order code number
			Operational current I _e	Operational power at 380–440 V		
			AC-21A A	AC-23A kW	AC-3 kW	
Main Switches	3 ... 4	H400-A	63	22	18,5	H406 - 41 ... - 987N1
OFF position padlockable 09h			80	30	22	H408 - 41 ... - 987N1
Main/Emergency-Off Switches	3 ... 4	H400-A	63	22	18,5	H406 - 41 ... - 987N4
OFF position padlockable 09h			80	30	22	H408 - 41 ... - 987N4
SMD modules for basic switch A02						
Enclosure module, mounting form 987N1			H400-A			SAH4 - 987N1
Enclosure module, mounting form 987N4						SAH4 - 987N4
Mounting brackets for enclosure modules SA (1 set) (Please order separately – accessories see page D5-1)						SAX1
Dimensions (mm)						
Product line	H1	B1	T1	T2	H2	B2
H400-A	200	150	120	45	182	85

Enclosed Switches



Product lines
H400-A/ -D/ -E

Enclosed switches

Mild steel enclosure
300 x 250 x 150 mm

With cover interlock
in ON position

Cable entries
without

186M1 (IP66)

Complete switch	Poles	Product line	Rated data (IEC 60947)			Order code number
			Operational current I _e	Operational power at 380–440 V		
			AC-21A A	AC-23A kW	AC-3 kW	
ON-OFF Switches Switching angle 90°	3 ... 8	H400-A/ -D	63	22	18,5	H406 - 41 ... - 186M1
			80	30	22	H408 - 41 ... - 186M1
			100	37	30	H410 - 41 ... - 186M1
			125	45	37	H412 - 41 ... - 186M1
Changeover with OFF Switching angle 90°	3 ... 4	H400-E	63	22	18,5	H406 - 71 ... - 186M1
			80	30	22	H408 - 71 ... - 186M1
			100	37	30	H410 - 71 ... - 186M1
			125	45	37	H412 - 71 ... - 186M1

SMD modules for basic switch A02

Mounting form module (switch module ED)
Mounting form module (switch module ED)
Mounting form module (switch module ED)

H400-A
H400-D
H400-E

BFA4 - ED
BFB4 - ED
BFC4 - ED

Enclosure module, mounting form 186M1

H400-A/ -D/ -E

SAH4 - 186M1

Legend plate silver, enclosure module 186M1

FAS6 - 9 ...(FA number)

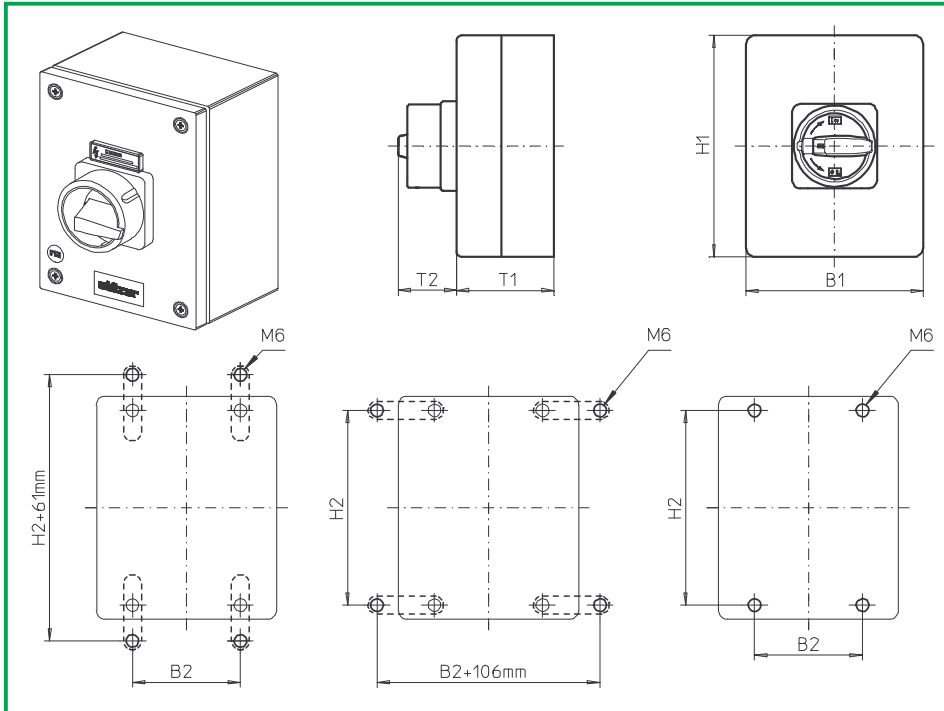
Mounting brackets for enclosure modules SA (1 set)
(Please order separately – accessories see page D5-1)

SAX1

Dimensions (mm)

Product lines	H1	B1	T1	T2	H2	B2
H400-A	300	250	150	52	282	185
H400-D	300	250	150	52	282	185
H400-E	300	250	150	52	282	185

Enclosed Switches



Product lines
H400-A/ -D

Enclosed switches

Mild steel enclosure
300 x 250 x 150 mm

With cover interlock
in ON position

Cable entries
without

187M1 (IP66)

187M4 (IP66)

Complete switch	Poles	Product line	Rated data (IEC 60947)			Order code number
			Operational current I _e	Operational power at 380–440 V		
			AC-21A A	AC-23A kW	AC-3 kW	
Main Switches OFF position padlockable 09h	3 ... 8	H400-A/ -D	63	22	18,5	H406 - 41 ... - 187M1
			80	30	22	H408 - 41 ... - 187M1
			100	37	30	H410 - 41 ... - 187M1
			125	45	37	H412 - 41 ... - 187M1
Main/Emergency-Off Switches OFF position padlockable 09h	3 ... 8	H400-A/ -D	63	22	18,5	H406 - 41 ... - 187M4
			80	30	22	H408 - 41 ... - 187M4
			100	37	30	H410 - 41 ... - 187M4
			125	45	37	H412 - 41 ... - 187M4

SMD modules for basic switch A02

Mounting form module (switch module ED)
Mounting form module (switch module ED)

H400-A
H400-D

BFA4 - ED
BFB4 - ED

Enclosure module, mounting form 187M1
Enclosure module, mounting form 187M4

H400-A/ -D

SAH4 - 187M1
SAH4 - 187M4

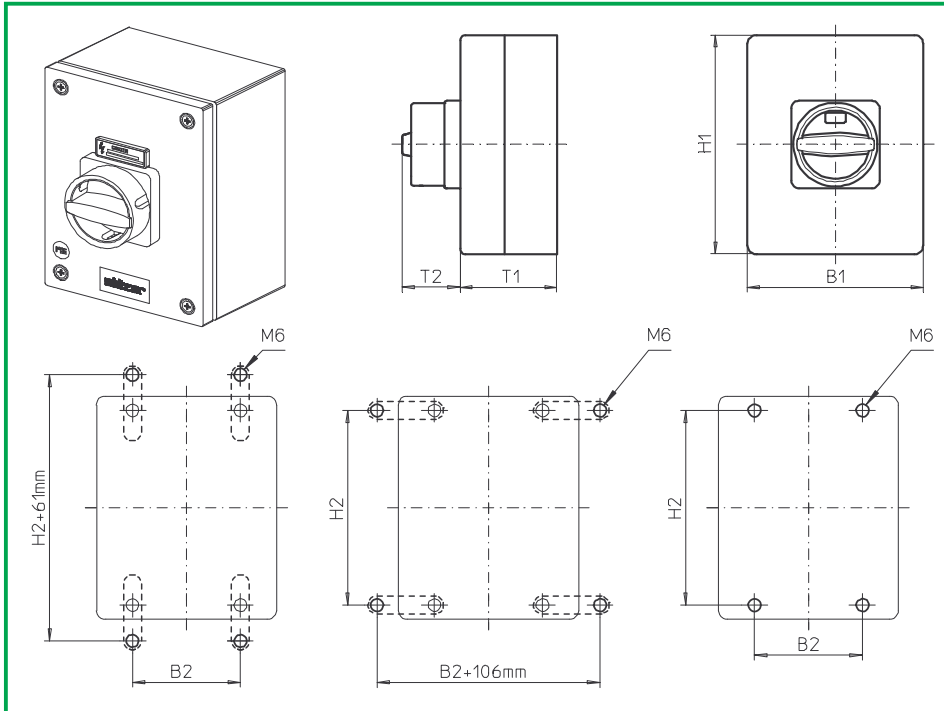
Mounting brackets for enclosure modules SA (1 set)
(Please order separately – accessories see page D5-1)

SAX1

Dimensions (mm)

Product lines	H1	B1	T1	T2	H2	B2
H400-A	300	250	150	50	282	185
H400-D	300	250	150	50	282	185

Enclosed Switches



Product lines
H400-A/ -D

Enclosed switches

Mild steel enclosure
300 x 250 x 150 mm

With cover interlock
in ON position

Cable entries
without

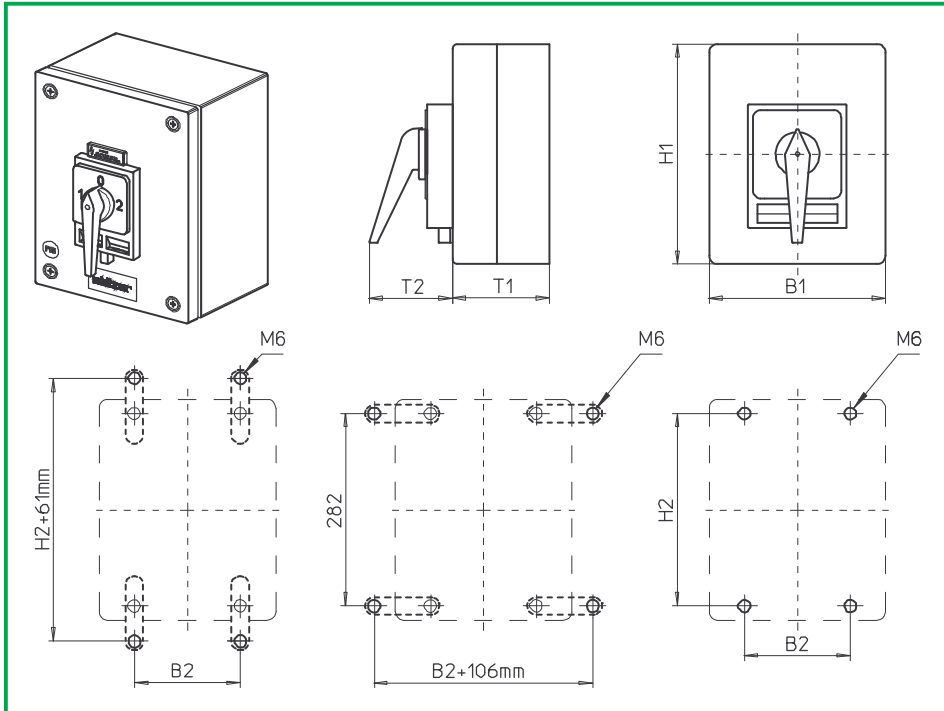
187N1 (IP66)
187N4 (IP66)

Complete switch	Poles	Product line	Rated data (IEC 60947)			Order code number
			Operational current I _e	Operational power at 380–440 V		
			AC-21A A	AC-23A kW	AC-3 kW	
Main Switches OFF position padlockable 09h	3 ... 8	H400-A/ -D	63	22	18,5	H406 - 41 ... - 187N1
			80	30	22	H408 - 41 ... - 187N1
			100	37	30	H410 - 41 ... - 187N1
			125	45	37	H412 - 41 ... - 187N1
Main/Emergency-Off Switches OFF position padlockable 09h	3 ... 8	H400-A/ -D	63	22	18,5	H406 - 41 ... - 187N4
			80	30	22	H408 - 41 ... - 187N4
			100	37	30	H410 - 41 ... - 187N4
			125	45	37	H412 - 41 ... - 187N4

SMD modules for basic switch A02		
Mounting form module (switch module ED)	H400-A	BFA4 - ED
Mounting form module (switch module ED)	H400-D	BFB4 - ED
Enclosure module, mounting form 187N1	H400-A/ -D	SAH4 - 187N1
Enclosure module, mounting form 187N4		SAH4 - 187N4
Mounting brackets for enclosure modules SA (1 set) (Please order separately – accessories see page D5-1)		SAX1

Dimensions (mm)						
Product lines	H1	B1	T1	T2	H2	B2
H400-A	300	250	150	45	282	185
H400-D	300	250	150	45	282	185

Enclosed Switches



Product line
H400-E

Enclosed switches

Mild steel enclosure
300 x 250 x 150 mm

With cover interlock
in ON position

Cable entries
without

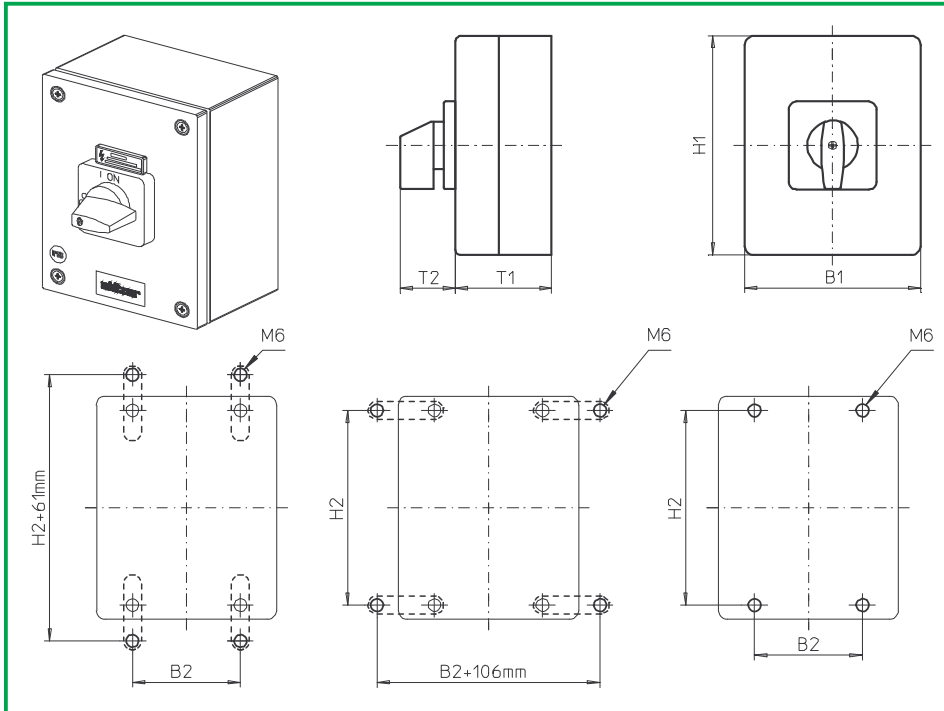
186H1 (IP66)
189H1 (IP66)

Complete switch	Poles	Product line	Rated data (IEC 60947)			Order code number
			Operational current I_e	Operational power at 380–440 V		
			AC-21A A	AC-23A kW	AC-3 kW	
Changeover with OFF Switching angle 90° OFF position padlockable 12h	3 ... 4	H400-E	63	22	18,5	H406 - 71 ... - 186H1
			80	30	22	H408 - 71 ... - 186H1
			100	37	30	H410 - 71 ... - 186H1
			125	45	37	H412 - 71 ... - 186H1
Changeover with OFF Switching angle 90° 3 positions padlockable (09h/ 12h/ 03h)	3 ... 4	H400-E	63	22	18,5	H406 - 71 ... - 189H1
			80	30	22	H408 - 71 ... - 189H1
			100	37	30	H410 - 71 ... - 189H1
			125	45	37	H412 - 71 ... - 189H1

SMD modules for basic switch A02			
Enclosure module, mounting form 186H1/189H1		H400-E	BFC4 - ED
Enclosure module, mounting form 186H1			SAH4 - 186H1
Enclosure module, mounting form 189H1			SAH4 - 189H1
Legend plate silver, enclosure module 186H1/189H1			FAS6 - 9006
Mounting brackets for enclosure modules SA (1 set) (Please order separately – accessories see page D5-1)			SAX1

Dimensions (mm)						
Product line	H1	B1	T1	T2	H2	B2
H400-E	300	250	150	83	282	185

Enclosed Switches



Product lines
H400-A/ -D/ -E

Enclosed switches

Mild steel enclosure
300 x 250 x 150 mm

With cover interlock
in ON position
without N modules in the enclosure

Cable entries
without

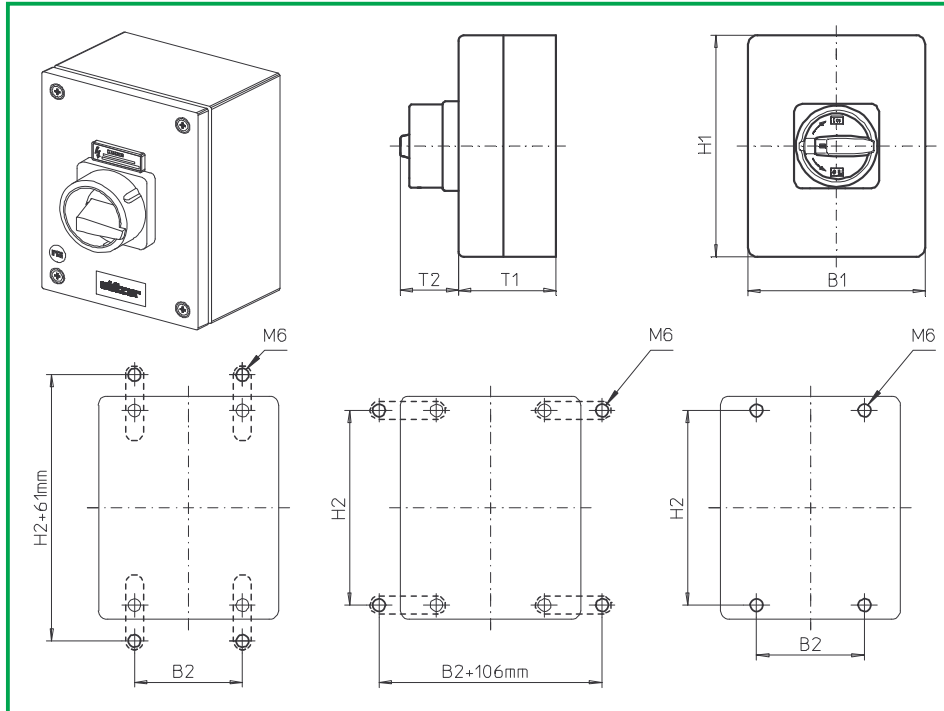
686M1 (IP66)

Complete switch	Poles	Product line	Rated data (IEC 60947)			Order code number
			Operational current I _e	Operational power at 380–440 V		
			AC-21A A	AC-23A kW	AC-3 kW	
ON-OFF Switches Switching angle 90°	4 or 8	H400-A/ -D	63	22	18,5	H406 - 41 ... - 686M1
			80	30	22	H408 - 41 ... - 686M1
			100	37	30	H410 - 41 ... - 686M1
			125	45	37	H412 - 41 ... - 686M1
Changeover with OFF Switching angle 90°	2 or 4	H400-E	63	22	18,5	H406 - 71 ... - 686M1
			80	30	22	H408 - 71 ... - 686M1
			100	37	30	H410 - 71 ... - 686M1
			125	45	37	H412 - 71 ... - 686M1

SMD modules for basic switch A02		
Mounting form module (switch module ED)	H400-A	BFA4 - ED
Mounting form module (switch module ED)	H400-D	BFB4 - ED
Mounting form module (switch module ED)	H400-E	BFC4 - ED
Enclosure module, mounting form 686M1	H400-A/ -D/ -E	SAH4 - 686M1
Legend plate silver, enclosure module 686M1		FAS6 - 9 ... (FA number)
Mounting brackets for enclosure modules SA (1 set) (Please order separately – accessories see page D5-1)		SAX1

Dimensions (mm)							
Product lines	H1	B1	T1	T2	H2	B2	
H400-A	300	250	150	52	282	185	
H400-D	300	250	150	52	282	185	
H400-E	300	250	150	52	282	185	

Enclosed Switches



Product lines
H400-A/ -D

Enclosed switches

Mild steel enclosure
300 x 250 x 150 mm

With cover interlock
in ON position
without N modules in the enclosure

Cable entries
without

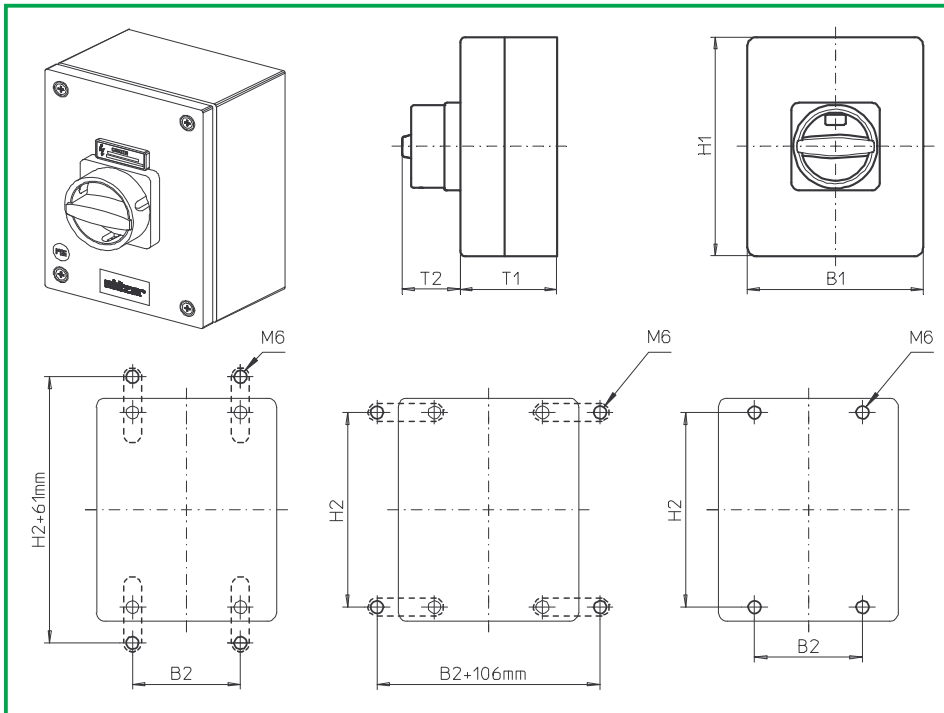
687M1 (IP66)
687M4 (IP66)

Complete switch	Poles	Product line	Rated data (IEC 60947)			Order code number
			Operational current I _e	Operational power at 380–440 V		
			AC-21A A	AC-23A kW	AC-3 kW	
Main Switches OFF position padlockable 09h	4 or 8	H400-A/ -D	63	22	18,5	H406 - 41 ... - 687M1
			80	30	22	H408 - 41 ... - 687M1
			100	37	30	H410 - 41 ... - 687M1
			125	45	37	H412 - 41 ... - 687M1
Main/Emergency-Off Switches OFF position padlockable 09h	4 or 8	H400-A/ -D	63	22	18,5	H406 - 41 ... - 687M4
			80	30	22	H408 - 41 ... - 687M4
			100	37	30	H410 - 41 ... - 687M4
			125	45	37	H412 - 41 ... - 687M4

SMD modules for basic switch A02		
Mounting form module (switch module ED)	H400-A	BFA4 - ED
Mounting form module (switch module ED)	H400-D	BFB4 - ED
Enclosure module, mounting form 687M1	H400-A/ -D	SAH4 - 687M1
Enclosure module, mounting form 687M4		SAH4 - 687M4
Mounting brackets for enclosure modules SA (1 set) (Please order separately – accessories see page D5-1)		SAX1

Dimensions (mm)						
Product lines	H1	B1	T1	T2	H2	B2
H400-A	300	250	150	50	282	185
H400-D	300	250	150	50	282	185

Enclosed Switches



Product lines
H400-A/ -D

Enclosed switches

Mild steel enclosure
300 x 250 x 150 mm

With cover interlock
in ON position
without N modules in the enclosure

Cable entries
without

687N1 (IP66)

687N4 (IP66)

Complete switch	Poles	Product line	Rated data (IEC 60947)			Order code number
			Operational current I _e	Operational power at 380–440 V		
			AC-21A A	AC-23A kW	AC-3 kW	
Main Switches OFF position padlockable 09h	4 or 8	H400-A/ -D	63	22	18,5	H406 - 41 ... - 687N1
			80	30	22	H408 - 41 ... - 687N1
			100	37	30	H410 - 41 ... - 687N1
			125	45	37	H412 - 41 ... - 687N1
Main/Emergency-Off Switches OFF position padlockable 09h	4 or 8	H400-A/ -D	63	22	18,5	H406 - 41 ... - 687N4
			80	30	22	H408 - 41 ... - 687N4
			100	37	30	H410 - 41 ... - 687N4
			125	45	37	H412 - 41 ... - 687N4

SMD modules for basic switch A02

Mounting form module (switch module ED)
Mounting form module (switch module ED)

H400-A
H400-D

BFA4 - ED
BFB4 - ED

Enclosure module, mounting form 687N1
Enclosure module, mounting form 687N4

H400-A/ -D

SAH4 - 687N1
SAH4 - 687N4

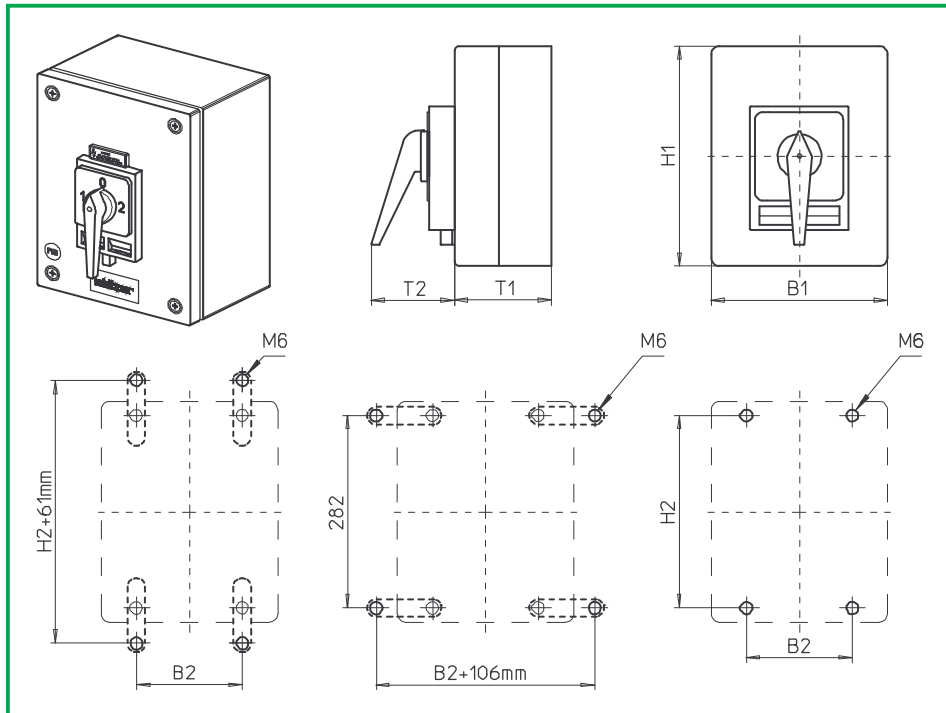
Mounting brackets for enclosure modules SA (1 set)
(Please order separately – accessories see page D5-1)

SAX1

Dimensions (mm)

Product lines	H1	B1	T1	T2	H2	B2
H400-A	300	250	150	45	282	185
H400-D	300	250	150	45	282	185

Enclosed Switches



**Product line
H400-E**

Enclosed switches

Mild steel enclosure
300 x 250 x 150 mm

With cover interlock
in ON position

without N modules in the enclosure

Cable entries
without

686H1 (IP66)

689H1 (IP66)

Complete switch	Poles	Product line	Rated data (IEC 60947)			Order code number
			Operational current I_e	Operational power at 380–440 V		
			AC-21A A	AC-23A kW	AC-3 kW	
Changeover with OFF Switching angle 90° OFF position padlockable 12h	2 or 4	H400-E	63	22	18,5	H406 - 71 ... - 686H1
			80	30	22	H408 - 71 ... - 686H1
			100	37	30	H410 - 71 ... - 686H1
			125	45	37	H412 - 71 ... - 686H1
Changeover with OFF Switching angle 90° 3 positions padlockable (09h/ 12h/ 03h)	2 or 4	H400-E	63	22	18,5	H406 - 71 ... - 689H1
			80	30	22	H408 - 71 ... - 689H1
			100	37	30	H410 - 71 ... - 689H1
			125	45	37	H412 - 71 ... - 689H1

SMD modules for basic switch A02

Enclosure module, mounting form 686H1/689H1

H400-E

BFC4 - ED

Enclosure module, mounting form 686H1
Enclosure module, mounting form 689H1

SAH4 - 686H1
SAH4 - 689H1

Legend plate silver, enclosure module 686H1/689H1

FAS6 - 9006

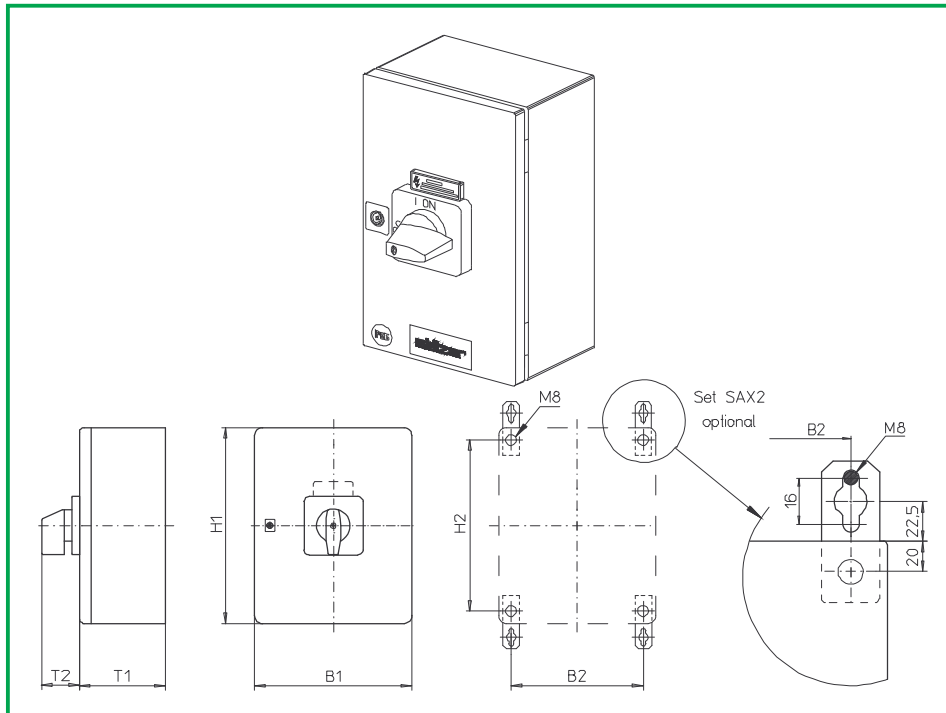
Mounting brackets for enclosure modules SA (1 set)
(Please order separately – accessories see page D5-1)

SAX1

Dimensions (mm)

Product line	H1	B1	T1	T2	H2	B2
H400-E	300	250	150	83	282	185

Enclosed Switches



Product lines
H400-A/ -D/ -E

Mild steel enclosure
including door
large connection room
400 x 300 x 155 mm

With cover interlock
in ON position

Cable entries
Gland plate at the bottom

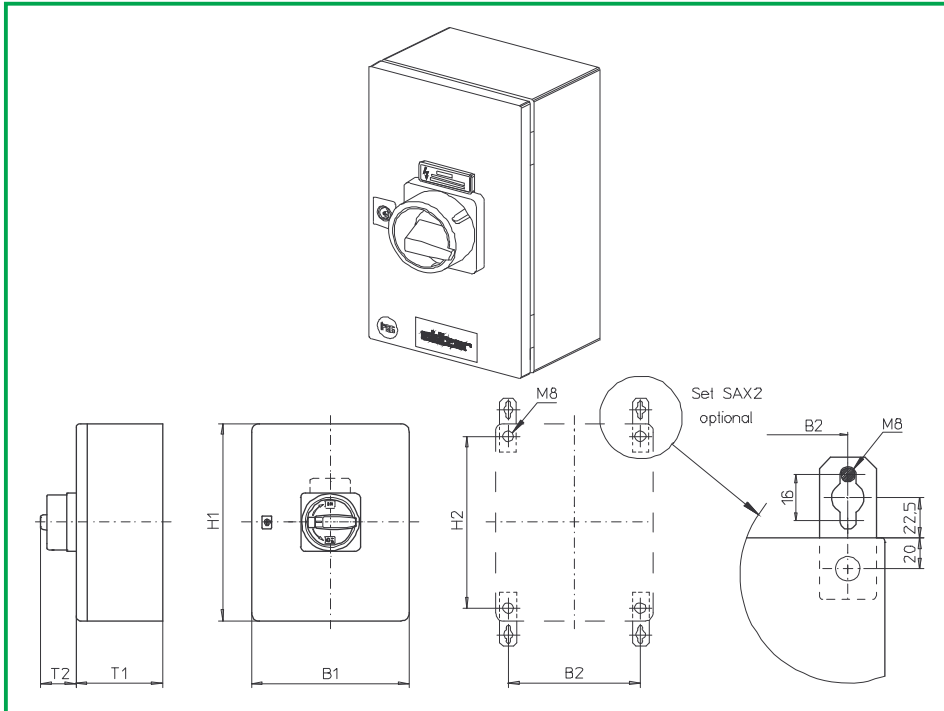
181M1 (IP66)

Complete switch	Poles	Product line	Rated data (IEC 60947)			Order code number
			Operational current I _e	Operational power at 380–440 V		
			AC-21A A	AC-23A kW	AC-3 kW	
ON-OFF Switches Switching angle 90°	3 ... 8	H400-A/ -D	63	22	18,5	H406 - 41 ... - 181M1
			80	30	22	H408 - 41 ... - 181M1
			100	37	30	H410 - 41 ... - 181M1
			125	45	37	H412 - 41 ... - 181M1
Changeover with OFF Switching angle 90°	3 ... 4	H400-E	63	22	18,5	H406 - 71 ... - 181M1
			80	30	22	H408 - 71 ... - 181M1
			100	37	30	H410 - 71 ... - 181M1
			125	45	37	H412 - 71 ... - 181M1

SMD modules for basic switch A02		
Mounting form module (switch module E8)	H400-A	BFB4 - E8
Mounting form module (switch module E8)	H400-D/ -E	BFA4 - E8
Enclosure module, mounting form 181M1	H400-A/ -D/ -E	SAH4 - 181M1
Legend plate silver, enclosure module 181M1		FAS6 - 9 ... (FA number)
Mounting brackets for enclosure modules (Please order separately)		SAX2

Dimensions (mm)						
Product lines	H1	B1	T1	T2	H2	B2
H400-A	400	300	155	52	360	260
H400-D	400	300	155	52	360	260
H400-E	400	300	155	52	360	260

Enclosed Switches



Product lines
H400-A/ -D

Mild steel enclosure
including door
large connection room
400 x 300 x 155 mm

With cover interlock
in ON position

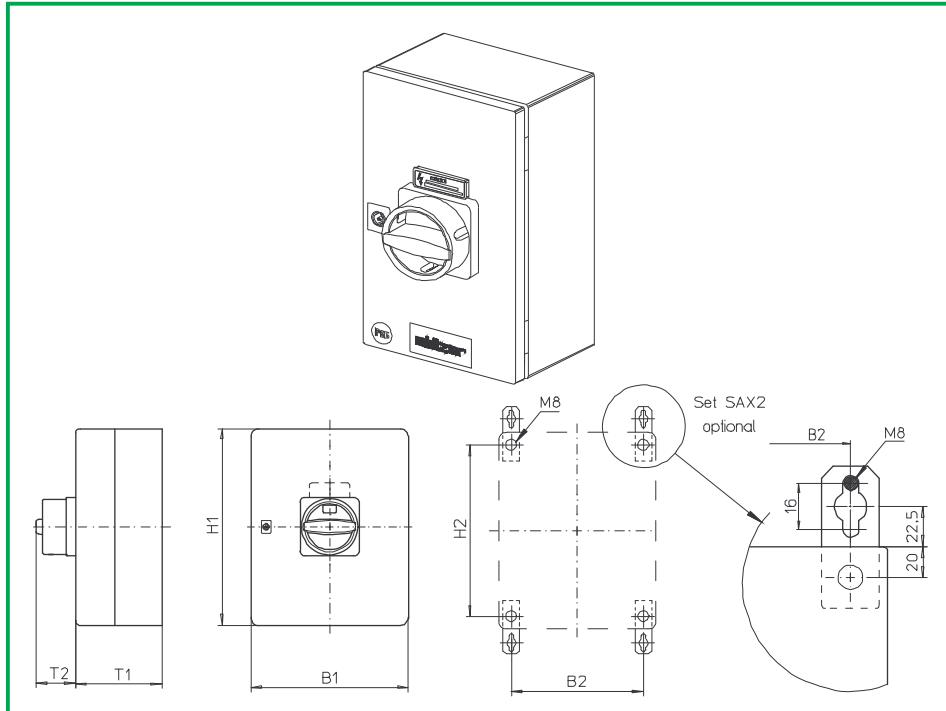
Cable entries
Gland plate at the bottom
182M1 (IP66)
182M4 (IP66)

Complete switch	Poles	Product line	Rated data (IEC 60947)			Order code number
			Operational current I _e	Operational power at 380–440 V		
			AC-21A A	AC-23A kW	AC-3 kW	
Main Switches OFF position padlockable 09h	3 ... 8	H400-A/ -D	63	22	18,5	H406 - 41 ... - 182M1
			80	30	22	H408 - 41 ... - 182M1
			100	37	30	H410 - 41 ... - 182M1
			125	45	37	H412 - 41 ... - 182M1
Main/Emergency-Off Switches OFF position padlockable 09h	3 ... 8	H400-A/ -D	63	22	18,5	H406 - 41 ... - 182M4
			80	30	22	H408 - 41 ... - 182M4
			100	37	30	H410 - 41 ... - 182M4
			125	45	37	H412 - 41 ... - 182M4

SMD modules for basic switch A02		
Mounting form module (switch module E8)	H400-A	BFB4 - E8
Mounting form module (switch module E8)	H400-D	BFA4 - E8
Enclosure module, mounting form 182M1	H400-A/ -D	SAH4 - 182M1
Enclosure module, mounting form 182M4		SAH4 - 182M4
Mounting brackets for enclosure modules (Please order separately)		SAX2

Dimensions (mm)						
Product lines	H1	B1	T1	T2	H2	B2
H400-A	400	300	155	50	360	260
H400-D	400	300	155	50	360	260

Enclosed Switches



Product lines
H400-A/ -D

Mild steel enclosure
including door
large connection room
400 x 300 x 155 mm

With cover interlock
in ON position

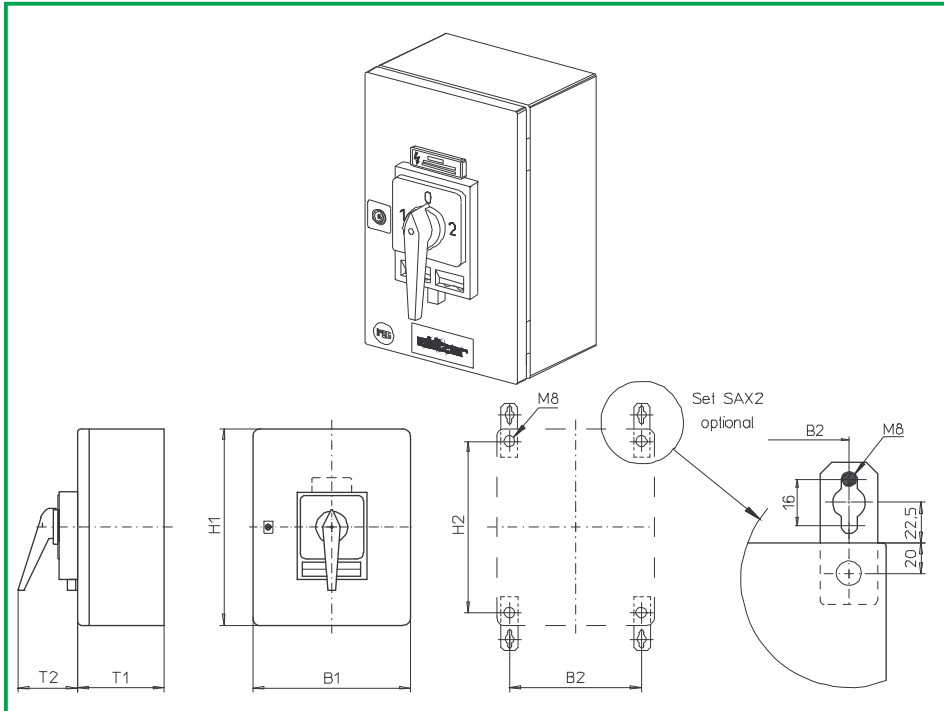
Cable entries
Gland plate at the bottom
182N1 (IP66)
182N4 (IP66)

Complete switch	Poles	Product line	Rated data (IEC 60947)			Order code number
			Operational current I _e	Operational power at 380–440 V		
			AC-21A A	AC-23A kW	AC-3 kW	
Main Switches OFF position padlockable 09h	3 ... 8	H400-A/ -D	63	22	18,5	H406 - 41 ... - 182N1
			80	30	22	H408 - 41 ... - 182N1
			100	37	30	H410 - 41 ... - 182N1
			125	45	37	H412 - 41 ... - 182N1
Main/Emergency-Off Switches OFF position padlockable 09h	3 ... 8	H400-A/ -D	63	22	18,5	H406 - 41 ... - 182N4
			80	30	22	H408 - 41 ... - 182N4
			100	37	30	H410 - 41 ... - 182N4
			125	45	37	H412 - 41 ... - 182N4

SMD modules for basic switch A02		
Mounting form module (switch module E8)	H400-A	BFB4 - E8
Mounting form module (switch module E8)	H400-D	BFA4 - E8
Enclosure module, mounting form 182N1	H400-A/ -D	SAH4 - 182N1
Enclosure module, mounting form 182N4		SAH4 - 182N4
Mounting brackets for enclosure modules (Please order separately)		SAX2

Dimensions (mm)						
Product lines	H1	B1	T1	T2	H2	B2
H400-A	400	300	155	45	360	260
H400-D	400	300	155	45	360	260

Enclosed Switches



**Product line
H400-E**

**Mild steel enclosure
including door**
large connection room
400 x 300 x 155 mm

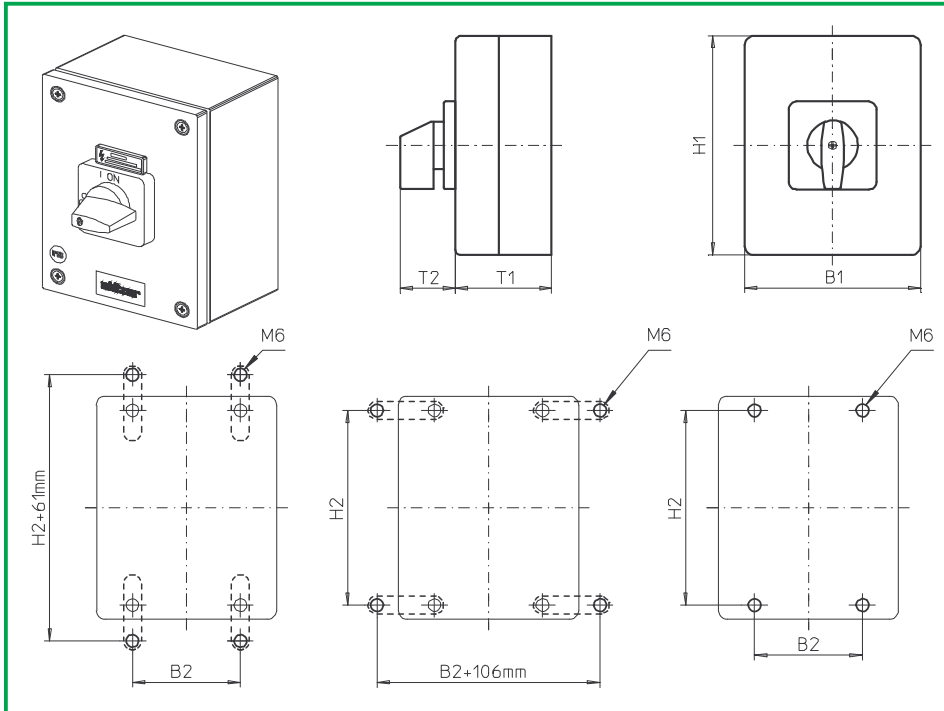
With cover interlock
in ON position

Cable entries
Gland plate at the bottom

183H1 (IP66)

Complete switch	Poles	Product line	Rated data (IEC 60947)			Order code number
			Operational current I_e	Operational power at 380–440 V		
			AC-21A A	AC-23A kW	AC-3 kW	
Changeover with OFF Switching angle 90° OFF position padlockable 12h	3 ... 4	H400-E	63 80 100 125	22 30 37 45	18,5 22 30 37	H406 - 71 ... - 183H1 H408 - 71 ... - 183H1 H410 - 71 ... - 183H1 H412 - 71 ... - 183H1
SMD modules for basic switch A02						
Mounting form module (switch module E8)			H400-E			BFA4 - E8
Enclosure module, mounting form 183H1						SAH4 - 183H1
Legend plate silver, enclosure module 183H1						FAS6 - 9 ... (FA number)
Mounting brackets for enclosure modules (Please order separately)						SAX2
Dimensions (mm)						
Product lines	H1	B1	T1	T2	H2	B2
H400-E	400	300	155	45	360	260

Enclosed Switches



Product line
H400-A

Enclosed switches

Stainless steel enclosure

200 x 150 x 120 mm

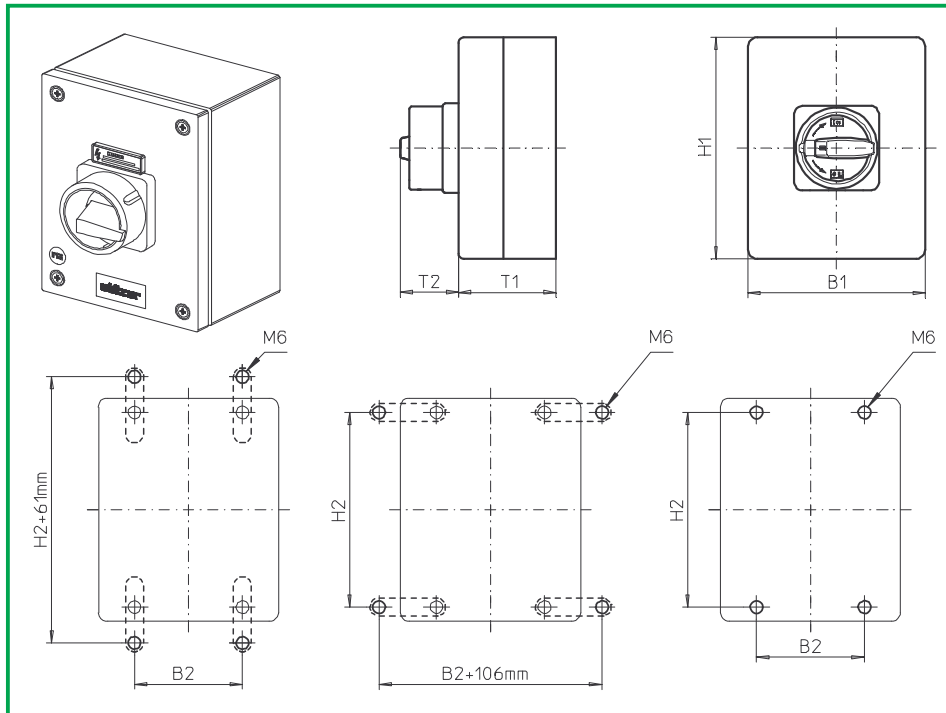
With cover interlock in ON position

Cable entries
without

996M1 (IP66)

Complete switch	Poles	Product line	Rated data (IEC 60947)			Order code number
			Operational current I_e	Operational power at 380–440 V		
			AC-21A A	AC-23A kW	AC-3 kW	
ON-OFF Switches Switching angle 90°	3 ... 4	H400-A	63 80	22 30	18,5 22	H406 - 41 ... - 996M1 H408 - 41 ... - 996M1
SMD modules for basic switch A02						
Enclosure module, mounting form 996M1				H400-A		SBH4 - 996M1
Legend plate silver, enclosure module 996M1						FAS6 - 9078
Mounting brackets for enclosure modules SB (1 set) (Please order separately – accessories see page D5-2)						SBX1
Dimensions (mm)						
Product line	H1	B1	T1	T2	H2	B2
H400-A	200	150	120	52	182	85

Enclosed Switches



Product line
H400-A

Enclosed switches

Stainless steel enclosure
200 x 150 x 120 mm

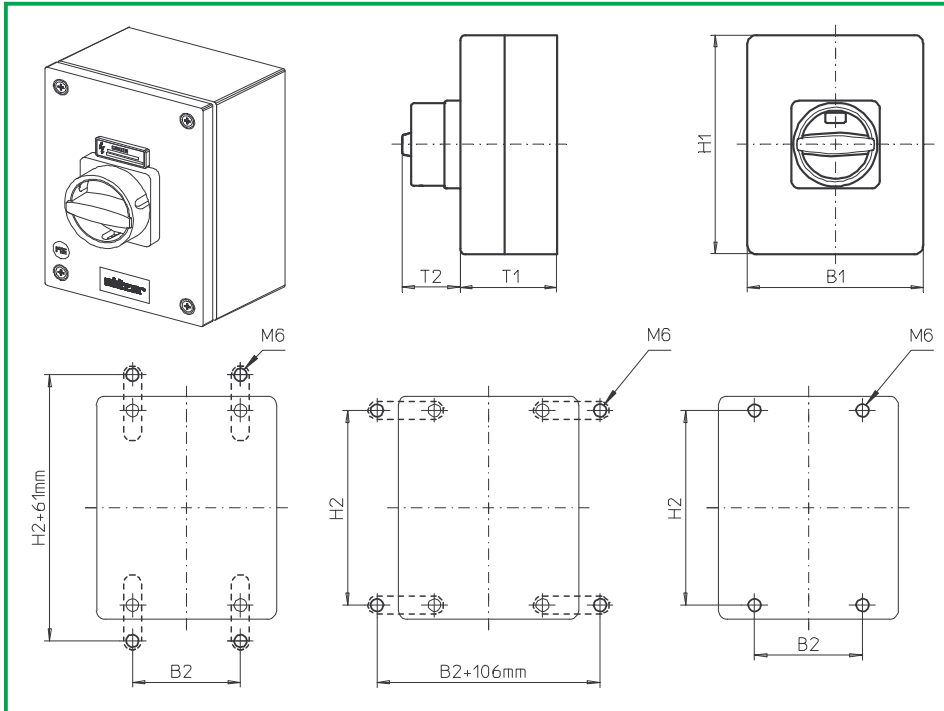
With cover interlock
in ON position

Cable entries
without

997M1 (IP66)
997M4 (IP66)

Complete switch	Poles	Product line	Rated data (IEC 60947)			Order code number
			Operational current I _e	Operational power at 380–440 V		
			AC-21A A	AC-23A kW	AC-3 kW	
Main Switches	3 ... 4	H400-A	63	22	18,5	H406 - 41 ... - 997M1
OFF position padlockable 09h			80	30	22	H408 - 41 ... - 997M1
Main/Emergency-Off Switches	3 ... 4	H400-A	63	22	18,5	H406 - 41 ... - 997M4
OFF position padlockable 09h			80	30	22	H408 - 41 ... - 997M4
SMD modules for basic switch A02						
Enclosure module, mounting form 997M1			H400-A			SBH4 - 997M1
Enclosure module, mounting form 997M4						SBH4 - 997M4
Mounting brackets for enclosure modules SB (1 set) (Please order separately – accessories see page D5-2)						SBX1
Dimensions (mm)						
Product line	H1	B1	T1	T2	H2	B2
H400-A	200	150	120	50	182	85

Enclosed Switches



**Product line
H400-A**

Enclosed switches

Stainless steel enclosure

200 x 150 x 120 mm

With cover interlock in ON position

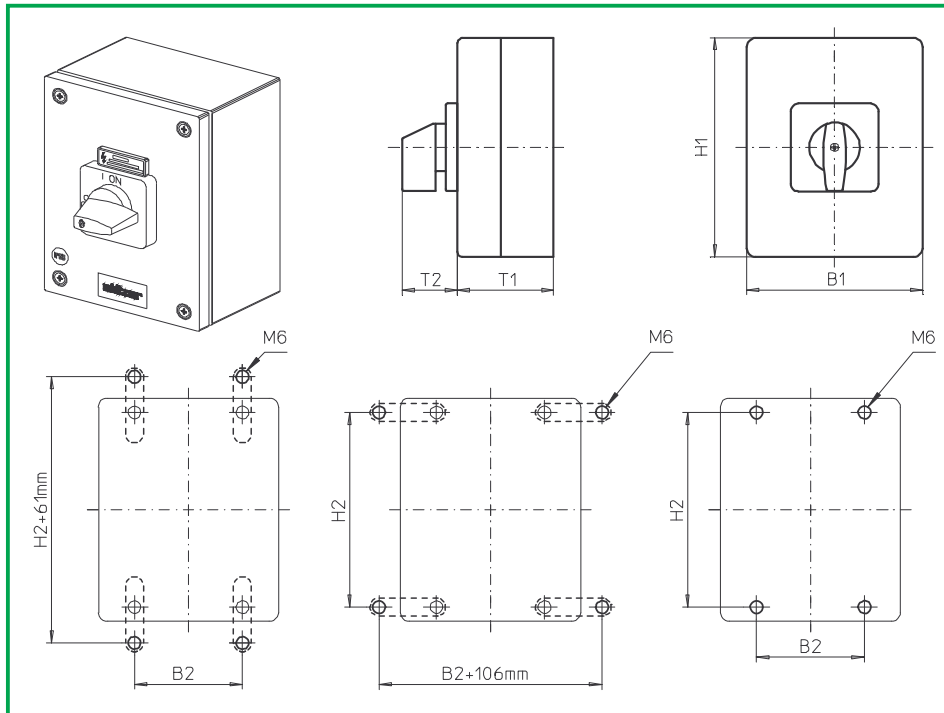
Cable entries
without

997N1 (IP66)

997N4 (IP66)

Complete switch	Poles	Product line	Rated data (IEC 60947)			Order code number
			Operational current I _e	Operational power at 380–440 V		
			AC-21A A	AC-23A kW	AC-3 kW	
Main Switches	3 ... 4	H400-A	63	22	18,5	H406 - 41 ... - 997N1
OFF position padlockable 09h			80	30	22	H408 - 41 ... - 997N1
Main/Emergency-Off Switches	3 ... 4	H400-A	63	22	18,5	H406 - 41 ... - 997N4
OFF position padlockable 09h			80	30	22	H408 - 41 ... - 997N4
SMD modules for basic switch A02						
Enclosure module, mounting form 997N1			H400-A			SBH4 - 997N1
Enclosure module, mounting form 997N4						SBH4 - 997N4
Mounting brackets for enclosure modules SB (1 set) (Please order separately – accessories see page D5-2)						SBX1
Dimensions (mm)						
Product line	H1	B1	T1	T2	H2	B2
H400-A	200	150	120	45	182	85

Enclosed Switches



Product lines
H400-A/ -D/ -E

Enclosed switches

Stainless steel enclosure

300 x 250 x 150 mm

With cover interlock in ON position

Cable entries
without

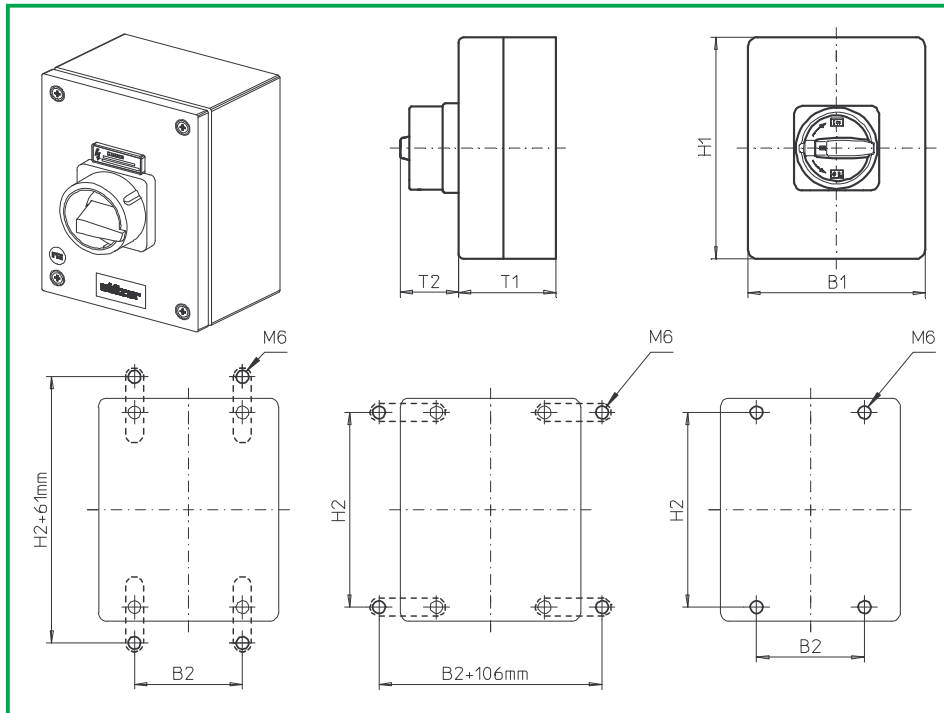
196M1 (IP66)

Complete switch	Poles	Product line	Rated data (IEC 60947)			Order code number
			Operational current I _e	Operational power at 380–440 V		
			AC-21A A	AC-23A kW	AC-3 kW	
ON-OFF Switches Switching angle 90°	3 ... 8	H400-A/ -D	63	22	18,5	H406 - 41 ... - 196M1
			80	30	22	H408 - 41 ... - 196M1
			100	37	30	H410 - 41 ... - 196M1
			125	45	37	H412 - 41 ... - 196M1
Changeover with OFF Switching angle 90°	3 ... 4	H400-E	63	22	18,5	H406 - 71 ... - 196M1
			80	30	22	H408 - 71 ... - 196M1
			100	37	30	H410 - 71 ... - 196M1
			125	45	37	H412 - 71 ... - 196M1

SMD modules for basic switch A02		
Mounting form module (switch module ED)	H400-A	BFA4 - ED
Mounting form module (switch module ED)	H400-D	BFB4 - ED
Mounting form module (switch module ED)	H400-E	BFC4 - ED
Enclosure module, mounting form 196M1	H400-A/ -D/ -E	SBH4 - 196M1
Legend plate silver, enclosure module 196M1		FAS6 - 9 ... (FA number)
Mounting brackets for enclosure modules SB (1 set) (Please order separately – accessories see page D5-2)		SBX1

Dimensions (mm)							
Product lines	H1	B1	T1	T2	H2	B2	
H400-A	300	250	150	52	282	185	
H400-D	300	250	150	52	282	185	
H400-E	300	250	150	52	282	185	

Enclosed Switches



Product lines
H400-A/ -D

Enclosed switches

Stainless steel enclosure

300 x 250 x 150 mm

With cover interlock in ON position

Cable entries
without

197M1 (IP66)

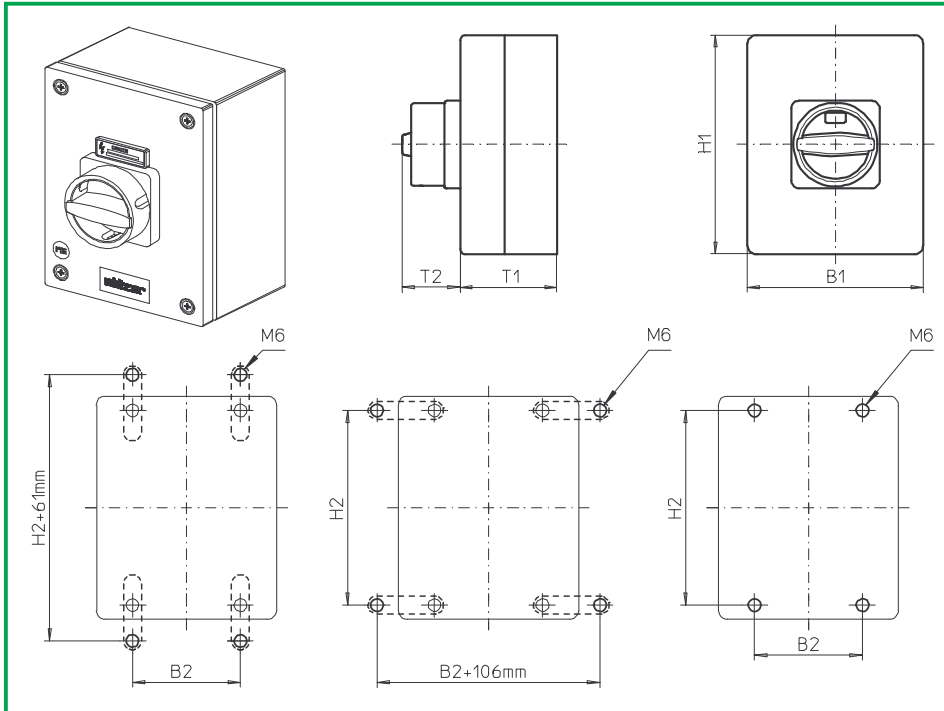
197M4 (IP66)

Complete switch	Poles	Product line	Rated data (IEC 60947)			Order code number
			Operational current I _e	Operational power at 380–440 V		
			AC-21A A	AC-23A kW	AC-3 kW	
Main Switches OFF position padlockable 09h	3 ... 8	H400-A/ -D	63	22	18,5	H406 - 41 ... - 197M1
			80	30	22	H408 - 41 ... - 197M1
			100	37	30	H410 - 41 ... - 197M1
			125	45	37	H412 - 41 ... - 197M1
Main/Emergency-Off Switches OFF position padlockable 09h	3 ... 8	H400-A/ -D	63	22	18,5	H406 - 41 ... - 197M4
			80	30	22	H408 - 41 ... - 197M4
			100	37	30	H410 - 41 ... - 197M4
			125	45	37	H412 - 41 ... - 197M4

SMD modules for basic switch A02		
Mounting form module (switch module ED)	H400-A	BFA4 - ED
Mounting form module (switch module ED)	H400-D	BFB4 - ED
Enclosure module, mounting form 197M1	H400-A/ -D	SBH4 - 197M1
Enclosure module, mounting form 197M4		SBH4 - 197M4
Mounting brackets for enclosure modules SB (1 set) (Please order separately – accessories see page D5-2)		SBX1

Dimensions (mm)						
Product lines	H1	B1	T1	T2	H2	B2
H400-A	300	250	150	50	282	185
H400-D	300	250	150	50	282	185

Enclosed Switches



Product lines
H400-A/ -D

Enclosed switches

Stainless steel enclosure
300 x 250 x 150 mm

With cover interlock in ON position

Cable entries
without

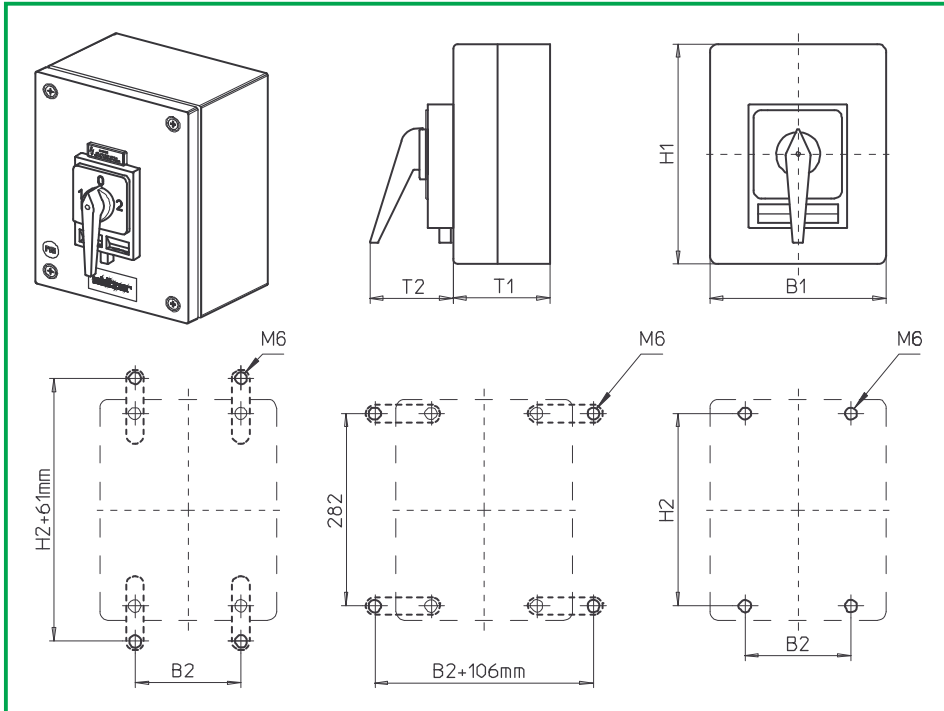
197N1 (IP66)
197N4 (IP66)

Complete switch	Poles	Product line	Rated data (IEC 60947)			Order code number
			Operational current I _e	Operational power at 380–440 V		
			AC-21A A	AC-23A kW	AC-3 kW	
Main Switches OFF position padlockable 09h	3 ... 8	H400-A/ -D	63	22	18,5	H406 - 41 ... - 197N1
			80	30	22	H408 - 41 ... - 197N1
			100	37	30	H410 - 41 ... - 197N1
			125	45	37	H412 - 41 ... - 197N1
Main/Emergency-Off Switches OFF position padlockable 09h	3 ... 8	H400-A/ -D	63	22	18,5	H406 - 41 ... - 197N4
			80	30	22	H408 - 41 ... - 197N4
			100	37	30	H410 - 41 ... - 197N4
			125	45	37	H412 - 41 ... - 197N4

SMD modules for basic switch A02		
Mounting form module (switch module ED)	H400-A	BFA4 - ED
Mounting form module (switch module ED)	H400-D	BFB4 - ED
Enclosure module, mounting form 197N1	H400-A/ -D	SBH4 - 197N1
Enclosure module, mounting form 197N4		SBH4 - 197N4
Mounting brackets for enclosure modules SB (1 set) (Please order separately – accessories see page D5-2)		SBX1

Dimensions (mm)						
Product lines	H1	B1	T1	T2	H2	B2
H400-A	300	250	150	45	282	185
H400-D	300	250	150	45	282	185

Enclosed Switches



**Product line
H400-E**

Enclosed switches

Stainless steel enclosure

300 x 250 x 150 mm

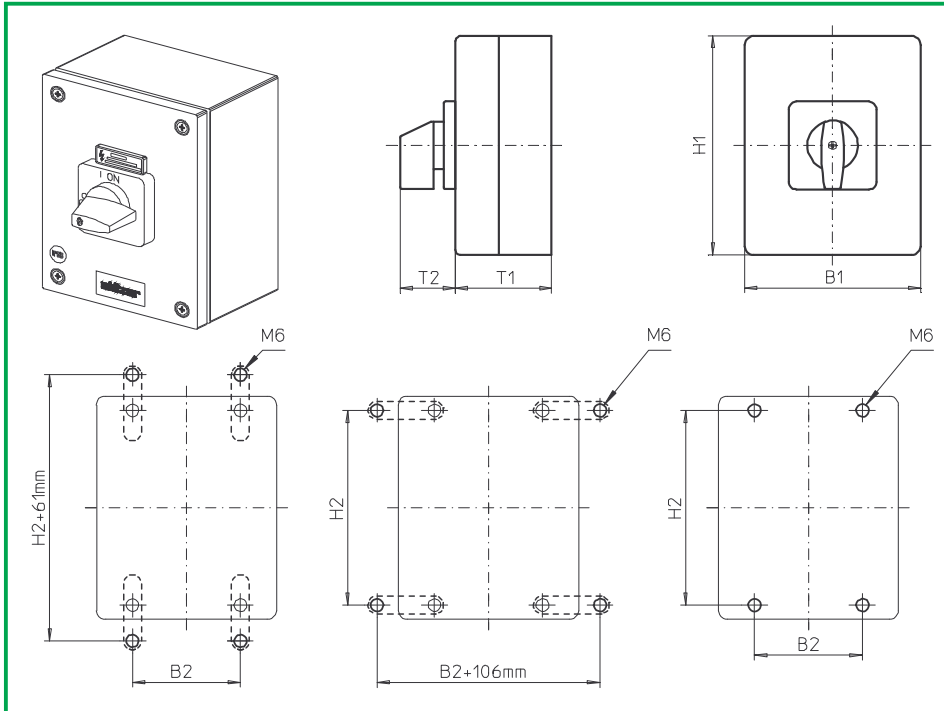
With cover interlock in ON position

Cable entries
without

196H1 (IP66)
199H1 (IP66)

Complete switch	Poles	Product line	Rated data (IEC 60947)			Order code number
			Operational current I _e	Operational power at 380–440 V		
			AC-21A A	AC-23A kW	AC-3 kW	
Changeover with OFF Switching angle 90° OFF position padlockable 12h	3 ... 4	H400-E	63	22	18,5	H406 - 71 ... - 196H1
			80	30	22	H408 - 71 ... - 196H1
			100	37	30	H410 - 71 ... - 196H1
			125	45	37	H412 - 71 ... - 196H1
Changeover with OFF Switching angle 90° 3 positions padlockable (09h/ 12h/ 03h)	3 ... 4	H400-E	63	22	18,5	H406 - 71 ... - 199H1
			80	30	22	H408 - 71 ... - 199H1
			100	37	30	H410 - 71 ... - 199H1
			125	45	37	H412 - 71 ... - 199H1
SMD modules for basic switch A02						
Mounting form module for 196H1/199H1			H400-E			BFC4 - ED
Enclosure module, mounting form 196H1						SBH4 - 196H1
Enclosure module, mounting form 199H1						SBH4 - 199H1
Legend plate silver, enclosure module 196H1/199H1						FAS6 - 9006
Mounting brackets for enclosure modules SB (1 set) (Please order separately – accessories see page D5-2)						SBX1
Dimensions (mm)						
Product line	H1	B1	T1	T2	H2	B2
H400-E	300	250	150	83	282	185

Enclosed Switches



Product lines
H400-A/ -D/ -E

Enclosed switches

Stainless steel enclosure

300 x 250 x 150 mm

With cover interlock in ON position

without N modules in the enclosure

Cable entries
without

696M1 (IP66)

Complete switch	Poles	Product line	Rated data (IEC 60947)			Order code number
			Operational current I _e	Operational power at 380–440 V		
			AC-21A A	AC-23A kW	AC-3 kW	
ON-OFF Switches Switching angle 90°	4 or 8	H400-A/ -D	63	22	18,5	H406 - 41 ... - 696M1
			80	30	22	H408 - 41 ... - 696M1
			100	37	30	H410 - 41 ... - 696M1
			125	45	37	H412 - 41 ... - 696M1
Changeover with OFF Switching angle 90°	2 or 4	H400-E	63	22	18,5	H406 - 71 ... - 696M1
			80	30	22	H408 - 71 ... - 696M1
			100	37	30	H410 - 71 ... - 696M1
			125	45	37	H412 - 71 ... - 696M1

SMD modules for basic switch A02

Mounting form module (switch module ED)
Mounting form module (switch module ED)
Mounting form module (switch module ED)

H400-A
H400-D
H400-E

BFA4 - ED
BFB4 - ED
BFC4 - ED

Enclosure module, mounting form 696M1

H400-A/ -D/ -E

SBH4 - 696M1

Legend plate silver, enclosure module 696M1

FAS6 - 9 ...(FA number)

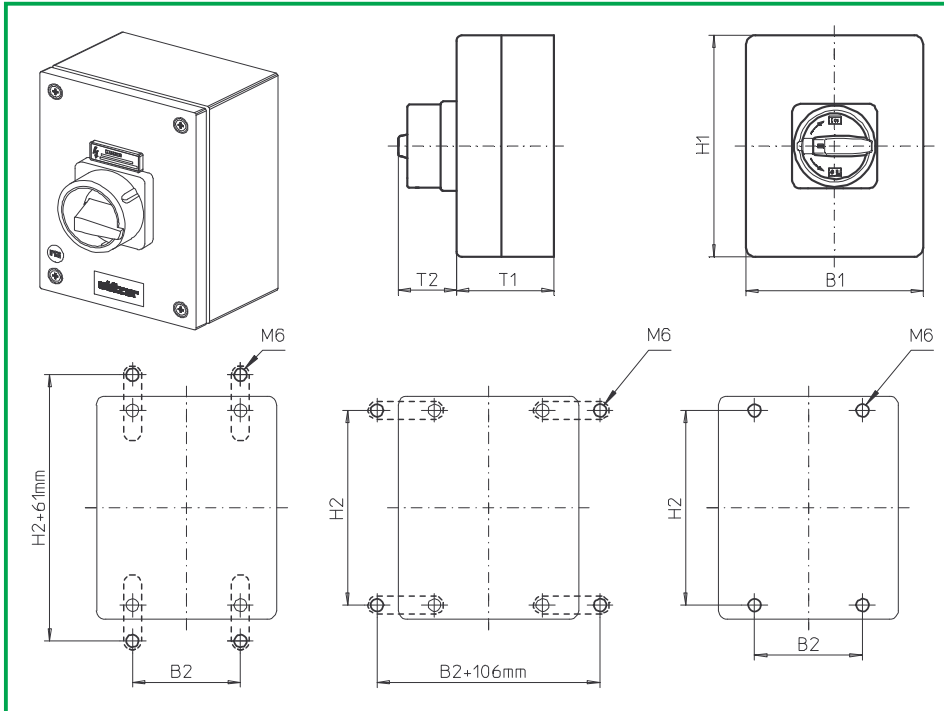
Mounting brackets for enclosure modules SB (1 set)
(Please order separately – accessories see page D5-2)

SBX1

Dimensions (mm)

Product lines	H1	B1	T1	T2	H2	B2
H400-A	300	250	150	52	282	185
H400-D	300	250	150	52	282	185
H400-E	300	250	150	52	282	185

Enclosed Switches



Product lines
H400-A/ -D

Enclosed switches

Stainless steel enclosure

300 x 250 x 150 mm

With cover interlock in ON position

without N modules in the enclosure

Cable entries
without

697M1 (IP66)

697M4 (IP66)

Complete switch	Poles	Product line	Rated data (IEC 60947)			Order code number
			Operational current I _e	Operational power at 380–440 V		
			AC-21A A	AC-23A kW	AC-3 kW	
Main Switches OFF position padlockable 09h	4 or 8	H400-A/ -D	63	22	18,5	H406 - 41 ... - 697M1
			80	30	22	H408 - 41 ... - 697M1
			100	37	30	H410 - 41 ... - 697M1
			125	45	37	H412 - 41 ... - 697M1
Main/Emergency-Off Switches OFF position padlockable 09h	4 or 8	H400-A/ -D	63	22	18,5	H406 - 41 ... - 697M4
			80	30	22	H408 - 41 ... - 697M4
			100	37	30	H410 - 41 ... - 697M4
			125	45	37	H412 - 41 ... - 697M4

SMD modules for basic switch A02

Mounting form module (switch module ED)
Mounting form module (switch module ED)

H400-A
H400-D

BFA4 - ED
BFB4 - ED

Enclosure module, mounting form 697M1
Enclosure module, mounting form 697M4

H400-A/ -D

SBH4 - 697M1
SBH4 - 697M4

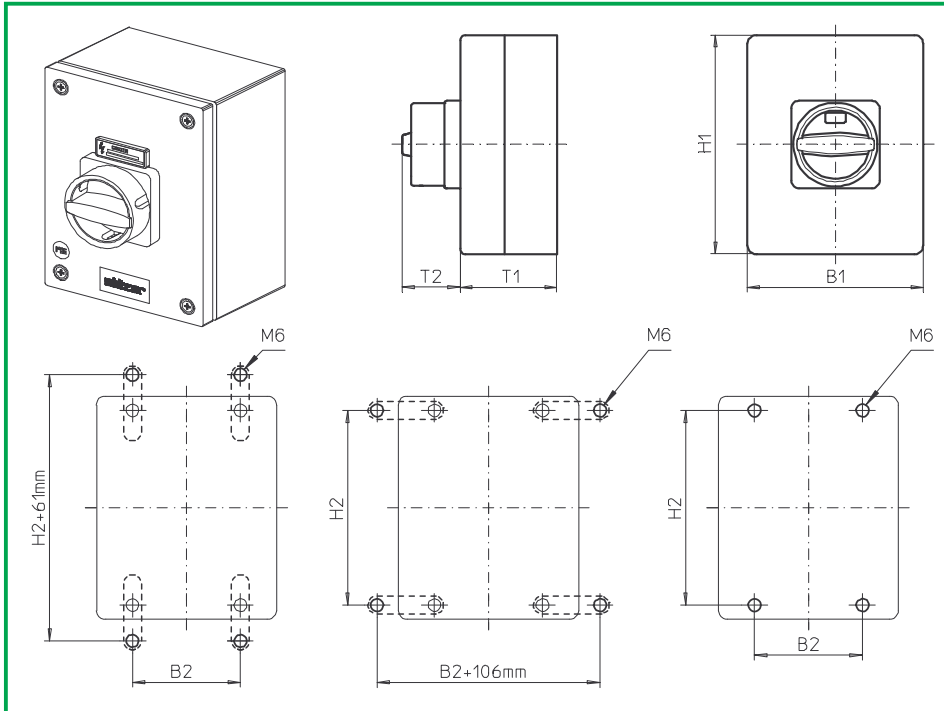
Mounting brackets for enclosure modules SB (1 set)
(Please order separately – accessories see page D5-2)

SBX1

Dimensions (mm)

Product lines	H1	B1	T1	T2	H2	B2
H400-A	300	250	150	50	282	185
H400-D	300	250	150	50	282	185

Enclosed Switches



Product lines
H400-A/ -D

Enclosed switches

Stainless steel enclosure

300 x 250 x 150 mm

With cover interlock in ON position

without N modules in the enclosure

Cable entries

without

697N1 (IP66)

697N4 (IP66)

Complete switch	Poles	Product line	Rated data (IEC 60947)			Order code number
			Operational current I _e	Operational power at 380–440 V		
			AC-21A A	AC-23A kW	AC-3 kW	
Main Switches OFF position padlockable 09h	4 or 8	H400-A/ -D	63	22	18,5	H406 - 41 ... - 697N1
			80	30	22	H408 - 41 ... - 697N1
			100	37	30	H410 - 41 ... - 697N1
			125	45	37	H412 - 41 ... - 697N1
Main/Emergency-Off Switches OFF position padlockable 09h	4 or 8	H400-A/ -D	63	22	18,5	H406 - 41 ... - 697N4
			80	30	22	H408 - 41 ... - 697N4
			100	37	30	H410 - 41 ... - 697N4
			125	45	37	H412 - 41 ... - 697N4

SMD modules for basic switch A02

Mounting form module (switch module ED)
Mounting form module (switch module ED)

H400-A
H400-D

BFA4 - ED
BFB4 - ED

Enclosure module, mounting form 697N1
Enclosure module, mounting form 697N4

H400-A/ -D

SBH4 - 697N1
SBH4 - 697N4

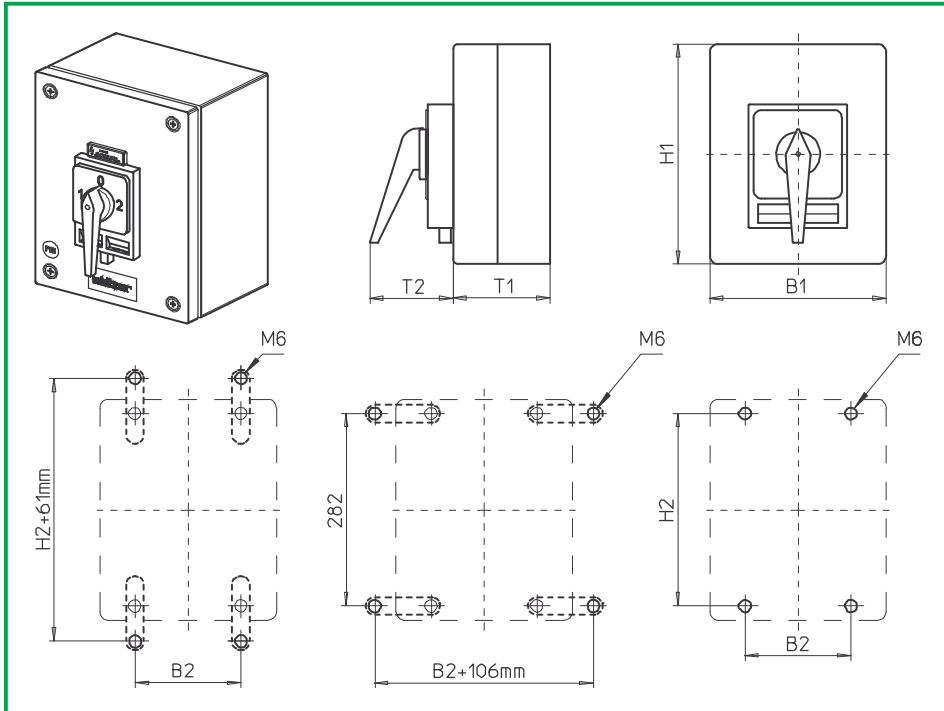
Mounting brackets for enclosure modules SB (1 set)
(Please order separately – accessories see page D5-2)

SBX1

Dimensions (mm)

Product lines	H1	B1	T1	T2	H2	B2
H400-A	300	250	150	45	282	185
H400-D	300	250	150	45	282	185

Enclosed Switches



Product line
H400-E

Enclosed switches

Stainless steel enclosure

300 x 250 x 150 mm

With cover interlock in ON position

without N modules in the enclosure

Cable entries

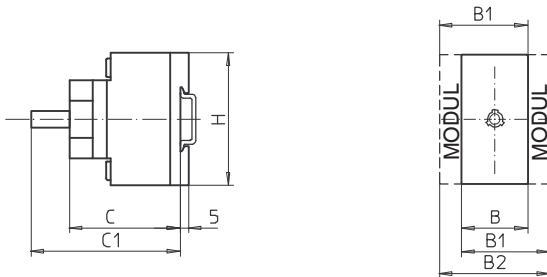
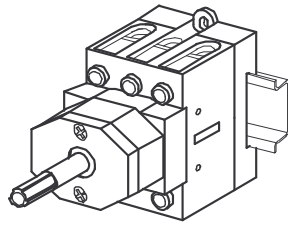
without

696H1 (IP66)

699H1 (IP66)

Complete switch	Poles	Product line	Rated data (IEC 60947)			Order code number
			Operational current I _e	Operational power at 380–440 V		
			AC-21A A	AC-23A kW	AC-3 kW	
Changeover with OFF Switching angle 90° OFF position padlockable 12h	2 or 4	H400-E	63	22	18,5	H406 - 71 ... - 696H1
			80	30	22	H408 - 71 ... - 696H1
			100	37	30	H410 - 71 ... - 696H1
			125	45	37	H412 - 71 ... - 696H1
Changeover with OFF Switching angle 90° 3 positions padlockable (09h/ 12h/ 03h)	2 or 4	H400-E	63	22	18,5	H406 - 71 ... - 699H1
			80	30	22	H408 - 71 ... - 699H1
			100	37	30	H410 - 71 ... - 699H1
			125	45	37	H412 - 71 ... - 699H1
SMD modules for basic switch A02						
Mounting form module for 696H1/699H1			H400-E			BFC4 - ED
Enclosure module, mounting form 696H1						SBH4 - 696H1
Enclosure module, mounting form 699H1						SBH4 - 699H1
Legend plate silver, enclosure module 696H1/699H1						FAS6 - 9006
Mounting brackets for enclosure modules SB (1 set) (Please order separately – accessories see page D5-2)						SBX1
Dimensions (mm)						
Product line	H1	B1	T1	T2	H2	B2
H400-E	300	250	150	83	282	185

Switch Modules



Product line
H400-A

Switch modules

for mounting forms in
base mounting
and enclosures

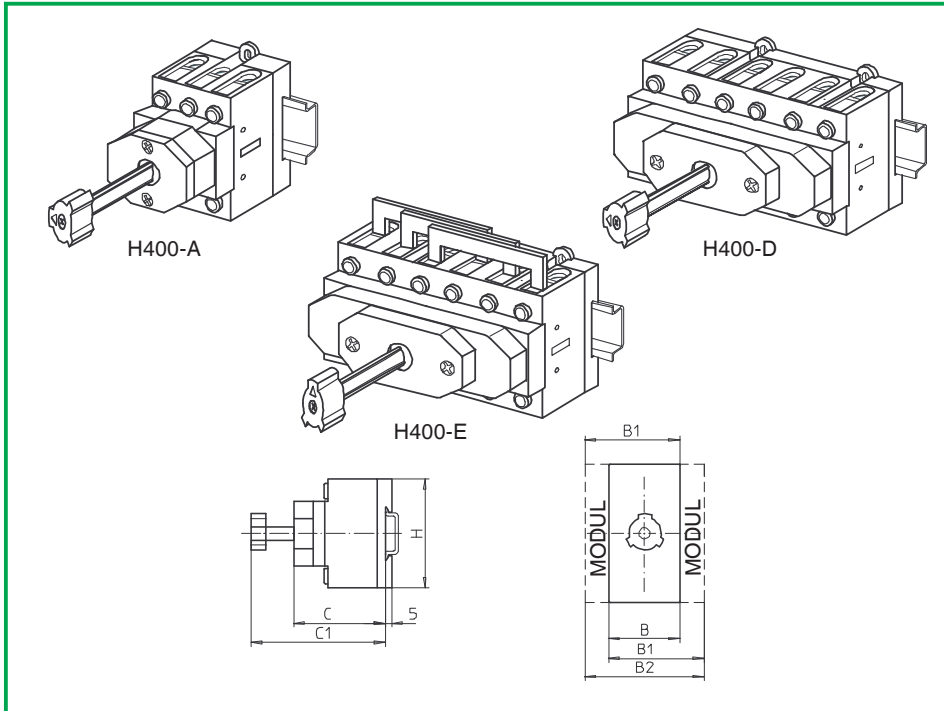
Base mounting

Snap on mounting
on DIN rail 35mm

EA (IP2B)

Complete switch	Poles	Product line	Rated data (IEC 60947)			Order code number
			Operational current I _e	Operational power at 380–440 V		
			AC-21A A	AC-23A kW	AC-3 kW	
ON-OFF Switches Switching positions 0-1 Switching angle 90°	3 ... 4	H400-A	63 80 100 125	22 30 37 45	18,5 22 30 37	H406 - 4.... - EA H408 - 4.... - EA H410 - 4.... - EA H412 - 4.... - EA
SMD modules for basic switch A02						
Mounting form module EA			H400-A			BFA4-EA
Dimensions (mm)						
Modules	H	C	C1	B	B1	B2
BFA4-EA	80	65	105	70	89	108

Switch Modules



Product line
H400-A/ -D/ -E

Switch modules

for mounting forms in
base mounting
and enclosures

Base mounting

Snap on mounting
on DIN rail 35mm

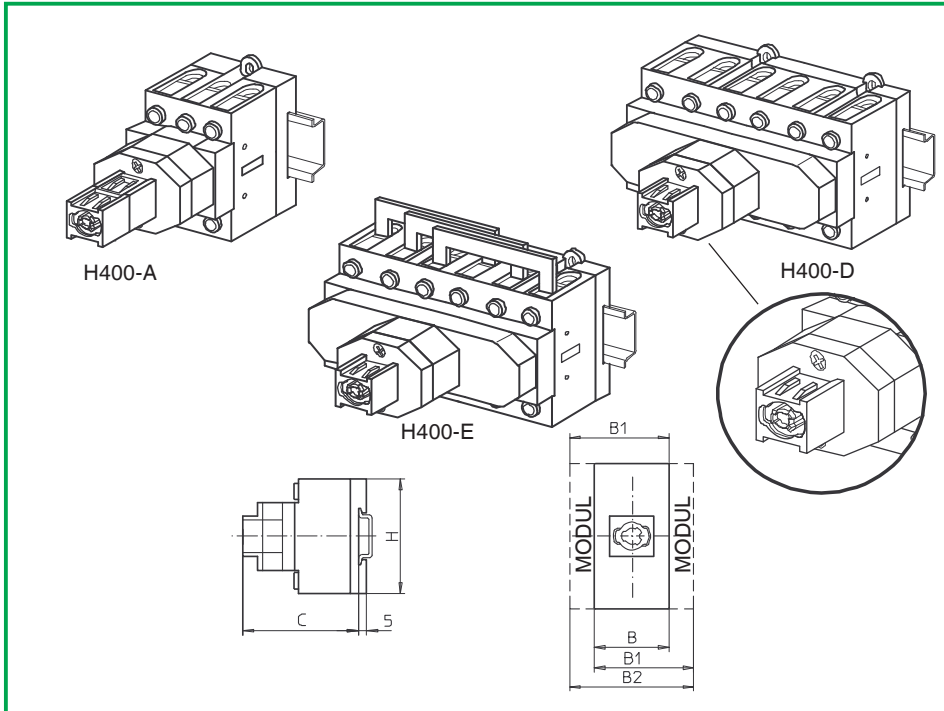
ED (IP2B)

Complete switch	Poles	Product line	Rated data (IEC 60947)			Order code number
			Operational current I _e	Operational power at 380–440 V		
			AC-21A A	AC-23A kW	AC-3 kW	
ON-OFF Switches Switching positions 0-1 Switching angle 90°	3 ... 8	H400-A/ -D	63	22	18,5	H406 - 4.... - ED
			80	30	22	H408 - 4.... - ED
			100	37	30	H410 - 4.... - ED
			125	45	37	H412 - 4.... - ED
Changeover with OFF Switching positions 1-0-2 Switching angle 90°	3 ... 4	H400-E	63	22	18,5	H406 - 7.... - ED
			80	30	22	H408 - 7.... - ED
			100	37	30	H410 - 7.... - ED
			125	45	37	H412 - 7.... - ED

SMD modules for basic switch A02		
Mounting form module ED	H400-A H400-D H400-E H400-A	BFA4 - ED BFB4 - ED BFC4 - ED BFD4 - ED

Dimensions (mm)							
Module	H	C	C1	B	B1	B2	B2
BFA4-ED	80	65	111	70	89	108	108
BFB4-ED	80	78	111	140	159	178	178
BFC4-ED	80	78	82	140	159	178	178
BFD4-ED	80	65	81	70	89	108	108

Switch Modules



Product line
H400-A/ -D/ -E

Switch modules

for mounting forms in
base mounting
and enclosures

Base mounting

Snap on mounting
on DIN rail 35mm

E8 (IP2B)

Complete switch	Poles	Product line	Rated data (IEC 60947)			Order code number
			Operational current I _e	Operational power at 380–440 V		
			AC-21A A	AC-23A kW	AC-3 kW	
ON-OFF Switches Switching positions 0-1 Switching angle 90°	3 ... 8	H400-A/ -D	63	22	18,5	H406 - 4.... - E8
			80	30	22	H408 - 4.... - E8
			100	37	30	H410 - 4.... - E8
			125	45	37	H412 - 4.... - E8
Changeover with OFF Switching positions 1-0-2 Switching angle 90°	3 ... 4	H400-E	63	22	18,5	H406 - 7.... - E8
			80	30	22	H408 - 7.... - E8
			100	37	30	H410 - 7.... - E8
			125	45	37	H412 - 7.... - E8

SMD modules for basic switch A02		
Mounting form module	H400-D / -E H400-A	BFA4 - E8 BFB4 - E8

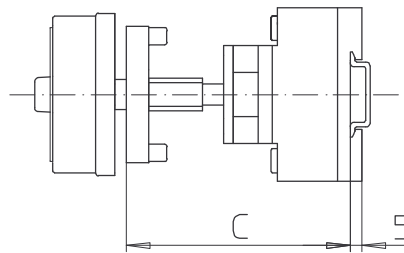
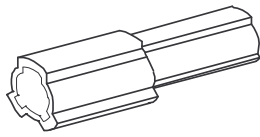
Dimensions (mm)					
Mounting modules	H	C	B	B1	B2
H400-A	80	108	70	89	108
H400-D/ -E	80	98	140	159	178



Section D

	Page	
	from	to
Shaft extensions	D1-1	D1-6
Covers, neutral jumpers	D2-1	D2-2
Additional top escutcheon plates	D3-1	D3-2
Assembly tool	D4-1	D4-1
Mounting sets	D5-1	D5-2

Originator: Sälzer Electric GmbH · Product Data Management (PDM) · 09306 Rochlitz (Germany)
 Copyright reserved by Sälzer Electric GmbH. This document replaces all previous issues.
 Valid until a new version is published. Changes and revisions reserved.



Product lines
H400-A/ -D/ -E

Base mounting switch

Door clutch
Modular shaft extension

Four hole mounting
front

AVD4

Modular shaft extensions for use with door clutch

Dimension C (internal depth, inside of door to top of DIN rail)

Dimension	H400-A	H400-D/ -E	No.	Order code number
0	102 ... 119 mm	115 ... 132 mm	-	-
1	120 ... 144 mm	133 ... 157 mm	1	AVD4
2	145 ... 169 mm	158 ... 182 mm	2	AVD4
3	170 ... 194 mm	183 ... 207 mm	3	AVD4
4	195 ... 219 mm	208 ... 232 mm	4	AVD4

Product lines H400

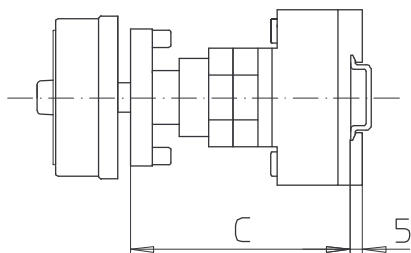
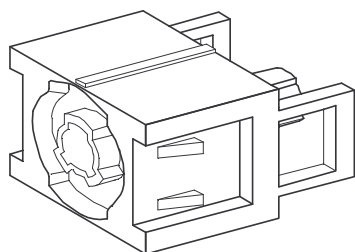
AVD4 is suitable to extend the shaft:

231M1/ 231M4
231N1/ 231N4

232M1/ 232M4
232N1/ 232N4
232V1/ 232V4

240V1/ 241V1

241M1



Product lines
H400-A/ -D/ -E

Base mounting switch

Door interlock

Modular shaft extension

Four hole mounting

front

AVC4 - .

Modular shaft extensions for use with door interlock

Dimension C (internal depth, inside of door to top of DIN rail)

Dimension	H400-A	H400-D/ -E	No.	Order code number
0	102 . . . 117 mm	115 . . . 130 mm	-	-
1	122 . . . 142 mm	135 . . . 155 mm	1	AVC4 - 1
2	147 . . . 167 mm	160 . . . 180 mm	1	AVC4 - 2
3	172 . . . 192 mm	185 . . . 205 mm	1	AVC4 - 3
4	197 . . . 217 mm	210 . . . 230 mm	1	AVC4 - 4

Product lines H400

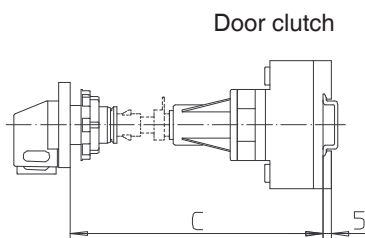
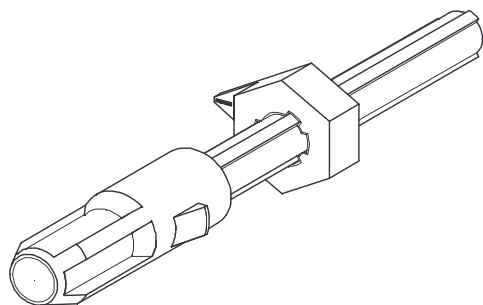
AVC4-. is suitable to extend the shaft:

234M1/ 234M4
234N1/ 234N4
234V1/ 234V4

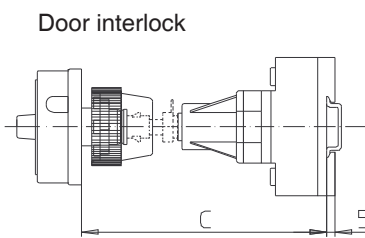
235M1/ 235M4
235N1/ 235N4

242M1

242V1/ 243V1



Door clutch



Door interlock

Product lines
H400-A/ -D/ -E

Metal shaft extension

for mounting forms with
Base mounting switch
Door clutch or
Door interlock

Single hole mounting
ø 22,5 mm front

AVA8 - . . .

Metal shaft extension for mounting forms with door clutch or door interlock and single hole mounting ø 22,5 mm front

Dimension C (Internal Depth, outside of door to top of DIN rail)

Order code number

H400-A

H400-D/ -E

Order code number

165 ... 183 mm
184 ... 208 mm
209 ... 233 mm
234 ... 258 mm

177 ... 195 mm
196 ... 220 mm
221 ... 245 mm
246 ... 270 mm

AVA8 - 065
AVA8 - 090
AVA8 - 115
AVA8 - 140

259 ... 283 mm
284 ... 308 mm
309 ... 333 mm
334 ... 358 mm

271 ... 295 mm
296 ... 320 mm
321 ... 345 mm
346 ... 370 mm

AVA8 - 165
AVA8 - 190
AVA8 - 215
AVA8 - 240

359 ... 383 mm
384 ... 408 mm
409 ... 433 mm
434 ... 458 mm

371 ... 395 mm
396 ... 420 mm
421 ... 445 mm
446 ... 470 mm

AVA8 - 265
AVA8 - 290
AVA8 - 315
AVA8 - 340

459 ... 483 mm
484 ... 508 mm
509 ... 533 mm
534 ... 558 mm

471 ... 495 mm
496 ... 520 mm
521 ... 545 mm
546 ... 570 mm

AVA8 - 365
AVA8 - 390
AVA8 - 415
AVA8 - 440

559 ... 583 mm
584 ... 608 mm
609 ... 633 mm
634 ... 658 mm

571 ... 595 mm
596 ... 620 mm
621 ... 645 mm
646 ... 670 mm

AVA8 - 465
AVA8 - 490
AVA8 - 515
AVA8 - 540

Product lines H400

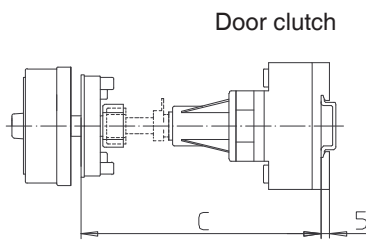
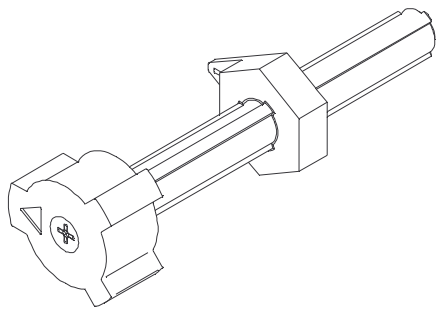
AVA8-... is suitable to extend the shaft:

Door clutch

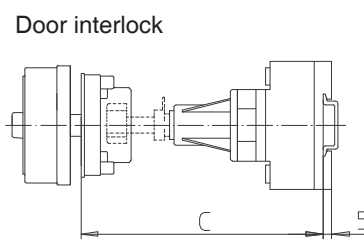
280M1/ 280M4
280N1/ 280N4
280V1/ 280V4
282M1
282V1/ 292V1

Door interlock

281M1/ 281M4
281N1/ 281N4
281V1/ 281V4
283M1
283V1/ 293V1



Door clutch



Door interlock

Product lines
H400-A/ -D/ -E

Metal shaft extension

for mounting forms with
Base mounting switch
Door clutch or
Door interlock

Four hole mounting
front

AVB8 - . . .

Metal shaft extension for mounting forms with door clutch or door interlock and four hole mounting front

Dimension C (internal depth, inside of door to top of DIN rail)

H400-A	H400-D/ -E	Order code number
150 . . . 174mm	162 . . . 186 mm	AVB8 - 065
175 . . . 199mm	187 . . . 211 mm	AVB8 - 090
200 . . . 224mm	212 . . . 236 mm	AVB8 - 115
225 . . . 249 mm	237 . . . 261 mm	AVB8 - 140
250 . . . 274 mm	262 . . . 286 mm	AVB8 - 165
275 . . . 299 mm	287 . . . 311 mm	AVB8 - 190
300 . . . 324 mm	312 . . . 336 mm	AVB8 - 215
325 . . . 349 mm	337 . . . 361 mm	AVB8 - 240
350 . . . 374 mm	362 . . . 386 mm	AVB8 - 265
375 . . . 399 mm	387 . . . 411 mm	AVB8 - 290
400 . . . 424 mm	412 . . . 436 mm	AVB8 - 315
425 . . . 449 mm	437 . . . 461 mm	AVB8 - 340
450 . . . 474 mm	462 . . . 486 mm	AVB8 - 365
475 . . . 499 mm	487 . . . 511 mm	AVB8 - 390
500 . . . 524 mm	512 . . . 536 mm	AVB8 - 415
525 . . . 549 mm	537 . . . 561 mm	AVB8 - 440
550 . . . 574 mm	562 . . . 586 mm	AVB8 - 465
575 . . . 599 mm	587 . . . 611 mm	AVB8 - 490
600 . . . 624 mm	612 . . . 636 mm	AVB8 - 515
625 . . . 649 mm	637 . . . 661 mm	AVB8 - 540

Product lines H400

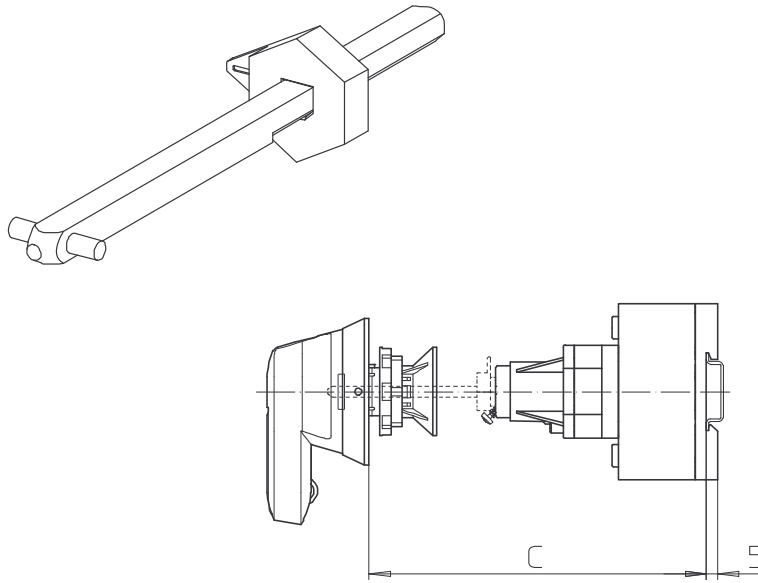
AVB8-... is suitable to extend the shaft:

Door clutch

431M1/ 431M4
431N1/ 431N4
441M1
441V1/ 442V1
432M1/ 432M4
432N1/ 432N4
432V1/ 432V4

Door interlock

435M1/ 435M4
435N1/ 435N4
481M1
481V1/ 485V1
483M1/ 483M4
483N1/ 483N4
483V1/ 483V4



Product lines
H400-A/ -D

Metal shaft extension

for mounting forms with
Base mounting switch
Defeatable
door interlock

Single hole mounting
ø 22,5 mm front

AVE5 - . . .

**Metal shaft extension for mounting form with defeatable door interlock,
single hole mounting ø 22,5 mm front**

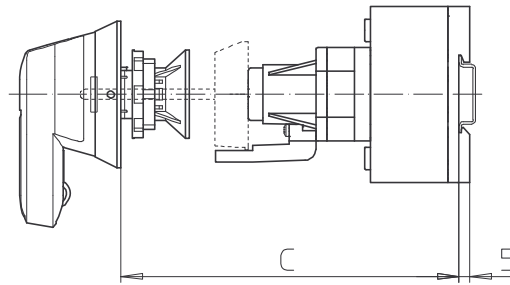
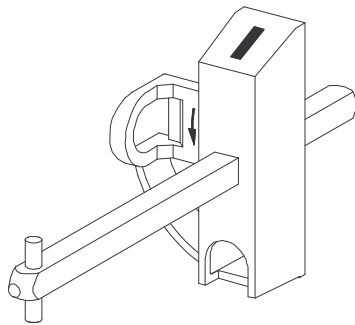
Dimension C (internal depth, outside of door to top of DIN rail)

H400-A	H400-D	Order code number
133 ... 148 mm	146 ... 161 mm	AVE5-088
148 ... 163 mm	161 ... 176 mm	AVE5-103
163 ... 178 mm	176 ... 191 mm	AVE5-118
178 ... 193 mm	191 ... 206 mm	AVE5-133
193 ... 208 mm	206 ... 221 mm	AVE5-148
208 ... 223 mm	221 ... 236 mm	AVE5-163
223 ... 238 mm	236 ... 251 mm	AVE5-178
238 ... 253 mm	251 ... 266 mm	AVE5-193
253 ... 268 mm	266 ... 281 mm	AVE5-208
268 ... 283 mm	281 ... 296 mm	AVE5-223
283 ... 298 mm	296 ... 311 mm	AVE5-238
298 ... 313 mm	311 ... 326 mm	AVE5-253
313 ... 328 mm	326 ... 341 mm	AVE5-268
328 ... 343 mm	341 ... 356 mm	AVE5-283
343 ... 358 mm	356 ... 371 mm	AVE5-298
358 ... 373 mm	371 ... 386 mm	AVE5-313
373 ... 388 mm	386 ... 401 mm	AVE5-328
388 ... 403 mm	401 ... 416 mm	AVE5-343
403 ... 418 mm	416 ... 431 mm	AVE5-358
418 ... 433 mm	431 ... 446 mm	AVE5-373
433 ... 448 mm	446 ... 461 mm	AVE5-388
448 ... 463 mm	461 ... 476 mm	AVE5-403
463 ... 478 mm	476 ... 491 mm	AVE5-418
478 ... 493 mm	491 ... 506 mm	AVE5-433
493 ... 508 mm	506 ... 521 mm	AVE5-448
508 ... 523 mm	521 ... 536 mm	AVE5-463
523 ... 538 mm	536 ... 551 mm	AVE5-478
538 ... 553 mm	551 ... 566 mm	AVE5-493
553 ... 568 mm	566 ... 581 mm	AVE5-508
568 ... 583 mm	581 ... 596 mm	AVE5-523
583 ... 598 mm	596 ... 611 mm	AVE5-538
598 ... 613 mm	611 ... 626 mm	AVE5-553
613 ... 628 mm	626 ... 641 mm	AVE5-568

Product line H400

Metal shafts AVE5-. are suitable for mounting forms:

380D1 / 380D4



**Product lines
H400-A/ -D**

Metal shaft extension

for mounting forms with
**Base mounting switch
Defeatable
door interlock with
maintenance handle**

Single hole mounting
ø 22,5 mm front

AVF5 - . . .

**Metal shaft extension for mounting form with defeatable door interlock,
single hole mounting ø 22,5 mm front
Additional lockable maintenance handle**

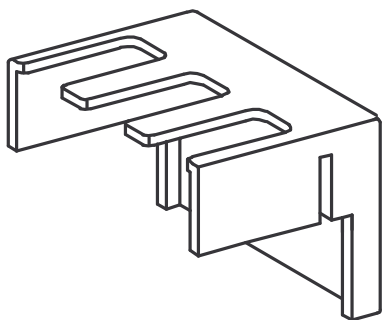
Dimension C (internal depth, outside of door to top of DIN rail)

H400-A	H400-D	Order code number
143 . . . 148 mm	156 . . . 161 mm	AVF5-088
148 . . . 163 mm	161 . . . 176 mm	AVF5-103
163 . . . 178 mm	176 . . . 191 mm	AVF5-118
178 . . . 193 mm	191 . . . 206 mm	AVF5-133
193 . . . 208 mm	206 . . . 221 mm	AVF5-148
208 . . . 223 mm	221 . . . 236 mm	AVF5-163
223 . . . 238 mm	236 . . . 251 mm	AVF5-178
238 . . . 253 mm	251 . . . 266 mm	AVF5-193
253 . . . 268 mm	266 . . . 281 mm	AVF5-208
268 . . . 283 mm	281 . . . 296 mm	AVF5-223
283 . . . 298 mm	296 . . . 311 mm	AVF5-238
298 . . . 313 mm	311 . . . 326 mm	AVF5-253
313 . . . 328 mm	326 . . . 341 mm	AVF5-268
328 . . . 343 mm	341 . . . 356 mm	AVF5-283
343 . . . 358 mm	356 . . . 371 mm	AVF5-298
358 . . . 373 mm	371 . . . 386 mm	AVF5-313
373 . . . 388 mm	386 . . . 401 mm	AVF5-328
388 . . . 403 mm	401 . . . 416 mm	AVF5-343
403 . . . 418 mm	416 . . . 431 mm	AVF5-358
418 . . . 433 mm	431 . . . 446 mm	AVF5-373
433 . . . 448 mm	446 . . . 461 mm	AVF5-388
448 . . . 463 mm	461 . . . 476 mm	AVF5-403
463 . . . 478 mm	476 . . . 491 mm	AVF5-418
478 . . . 493 mm	491 . . . 506 mm	AVF5-433
493 . . . 508 mm	506 . . . 521 mm	AVF5-448
508 . . . 523 mm	521 . . . 536 mm	AVF5-463
523 . . . 538 mm	536 . . . 551 mm	AVF5-478
538 . . . 553 mm	551 . . . 566 mm	AVF5-493
553 . . . 568 mm	566 . . . 581 mm	AVF5-508
568 . . . 583 mm	581 . . . 596 mm	AVF5-523
583 . . . 598 mm	596 . . . 611 mm	AVF5-538
598 . . . 613 mm	611 . . . 626 mm	AVF5-553
613 . . . 628 mm	626 . . . 641 mm	AVF5-568

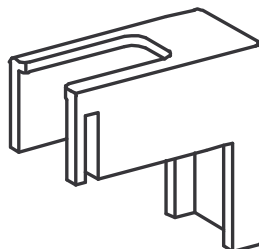
Product line H400

Metal shafts AVF5-. are suitable for mounting forms:

385D1 / 385D4



TCA4



TCB4

Product lines
H400-A/ -D

Terminal covers

for ON-OFF Switches

Front or base
mounting

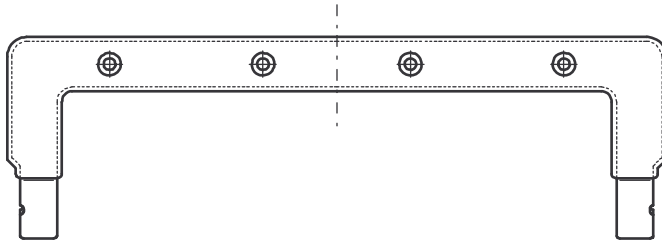
TCA4 / TCB4

Terminal covers

Product lines H400-A and H400-D
Main/Emergency-Off Switches

Order code
number

Switching programmes from ... up to ...	TCA4 number	TCB4 number	Total number	Terminal cover	
				3 pole	1 pole
41300 41340	1	0	1	TCA4	-
41400 41420	1	1	2	TCA4	TCB4
41600 41640	2	0	2	TCA4	-
41800 41800	2	2	4	TCA4	TCB4



**Product lines
H400 -E**

Neutral jumper

**Front or base
mounting**

404111

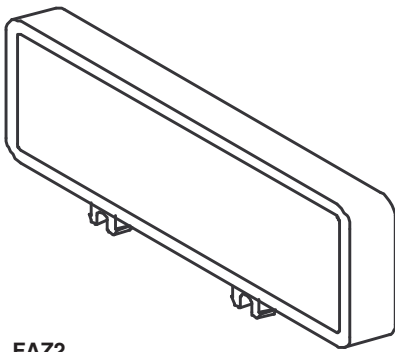
Product line H400-E

The neutral jumper allows the external connection of the terminal clamps at neutral conductor modules.

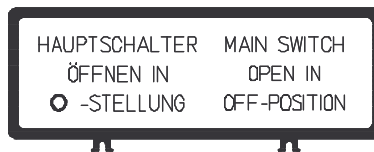
H400-E

**Order code
number**

404111



FAZ2
Escutcheon frame plate black
(without legend plate)



FAZ2 - 8041

Product lines
H400-A/ -D/ -E

Additional top
escutcheon plates

to put on escutcheons
and padlock devices
(also in connection
with enclosures)

FAZ2 -

Additional top escutcheon plates

with additional inscription to be clipped on the escutcheon and padlock devices

Escutcheon frame plate black, legend plate silver, without inscription (can be engraved)

Escutcheon frame plate black, legend plate silver, inscription FA 8...*

Escutcheon frame plate black, legend plate silver, special engraving

Escutcheon frame plate black, legend plate yellow, without inscription (can be engraved)

Escutcheon frame plate black, legend plate yellow, inscription FA 8...*

Escutcheon frame plate black, legend plate yellow, special engraving

Escutcheon frame plate black (without legend plate)

FAZ2 - 8000

FAZ2 - 8 . . .

FAZ2 - (special no.)

FBZ2 - 8000

FBZ2 - 8 . . .

FBZ2 - (special no.)

FAZ2

Legend plates

legend plate silver without inscription (can be engraved)

legend plate silver, inscription FA 8...*

legend plate silver, special engraving

legend plate yellow without inscription (can be engraved)

legend plate yellow, inscription FA 8...*

legend plate yellow, special engraving

FAS2 - 8000

FAS2 - 8 . . .

FAS2 - (special no.)

FBS2 - 8000

FBS2 - 8 . . .

FBS2 - (special no.)

* inscription FA 8... see next page

HAUPTSCHALTER MAIN SWITCH
 ÖFFNEN IN OPEN IN
 O-STELLUNG OFF-POSITION

Example: Legend plate silver **FAS2 - 8041**
 for top escutcheon plate FAZ2-8041

Product lines
H400-A/ -D/ -E

Legend plates
 for additional top
 escutcheon plates

FAS2 - 8 . . .
FBS2 - 8 . . .

Legend plates for additional top escutcheon plates

legend plate silver without inscription (can be engraved)
 legend plate silver, inscription FA 8...
 legend plate silver, special engraving

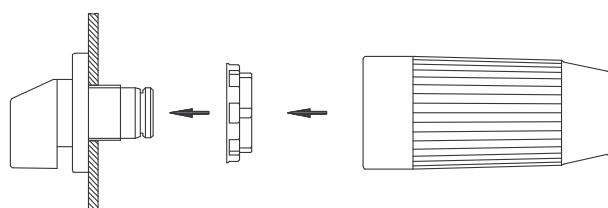
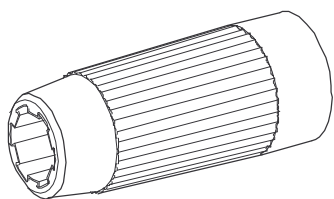
legend plate yellow without inscription (can be engraved)
 legend plate yellow, inscription FA 8...
 legend plate yellow, special engraving

FAS2 - 8000
FAS2 - 8 . . .
FAS2 - (special no.)

FBS2 - 8000
FBS2 - 8 . . .
FBS2 - (special no.)

Legend plates, inscription FA 8...

	HAUPTSCHALTER FA 8001	MAIN SWITCH FA 8002	NETZSCHALTER FA 8003	WAHLSCHALTER FA 8004	SELECTOR FA 8005
BETRIEBSART FA 8006	ISOLATOR FA 8007	GLEISWAHL FA 8008	STEUERUNG FA 8009	FEIN FA 8010	GROB FA 8011
PUMPE FA 8012	NOT-AUS FA 8013	SYNCHRONIZING FA 8014	WATTMETER FA 8015	AMMETER FA 8016	VOLTMETER AMMETER FA 8017
VOLTMETER FA 8018	MOTOR CONTROL FA 8019	HEIZUNG FA 8021	KEUZESCHAKELAAR FA 8023	SCHWEISSEN FA 8024	GLÄTTUNG FA 8025
EMERGENCY OFF FA 8026	TURVAKYTKIN FA 8027	HAUPTSCHALTER NUR IN STELLUNG ÖFFNEN FA 8028	MAIN SWITCH OPEN ONLY IN POSITION "OFF" FA 8029	INTERRUTTORE GENERALE ARRIARE SOLO MANIPOLA SU ZERO FA 8030	INTERRUPTEUR PRINCIPAL OUVRIRE POSITION O SELLEMENT FA 8031
VOLTIMETRO FA 8032	AMPERIMETRO FA 8033	VATIMETRO FA 8034	CONTROL FA 8035	BOMBA FA 8036	INTERRUPTOR FA 8037
CALEFACCION FA 8038	HOOFDSCHAKELAAR ALLEEN IN O - STAND OPENEN FA 8039	INTERRUPTOR PRINCIPAL ABRIR SOLO EN POSICION O FA 8040	HAUPTSCHALTER MAIN SWITCH ÖFFNEN IN OPEN IN O-STELLUNG OFF-POSITION FA 8041	DANGER ISOLATE MAIN SUPPLY BEFORE REMOVING COVER FA 8042	HUVUDBRYTARE FA 8044
HLAVNÍ VYPÍNAČ FA 8045	HLAVNÍ VYPÍNAČ OTEVŘÍT-POUZE V POLOZE O FA 8046				



Product lines
H400-A/ -D/ -E

Assembly tool

for switches with
Single hole mounting
ø 22,5 mm and ø 30,5 mm

218098

Assembly tool

Suitable for a **fast assembly of the single hole mounting** together with escutcheon/padlock device resp. door clutch / door interlock on mounting forms:

280M1, 280M4
280N1, 280N4
280V1, 280V4
281M1, 281M4

281N1, 281N4
281V1, 281V4
282M1
282V1

283M1
283V1
292V1
293V1

312M1, 312M4
312N1, 312N4
313M1, 313M4
313N1, 313N4

314M1, 314M4
314N1, 314N4
315M1, 315M4
315N1, 315N4

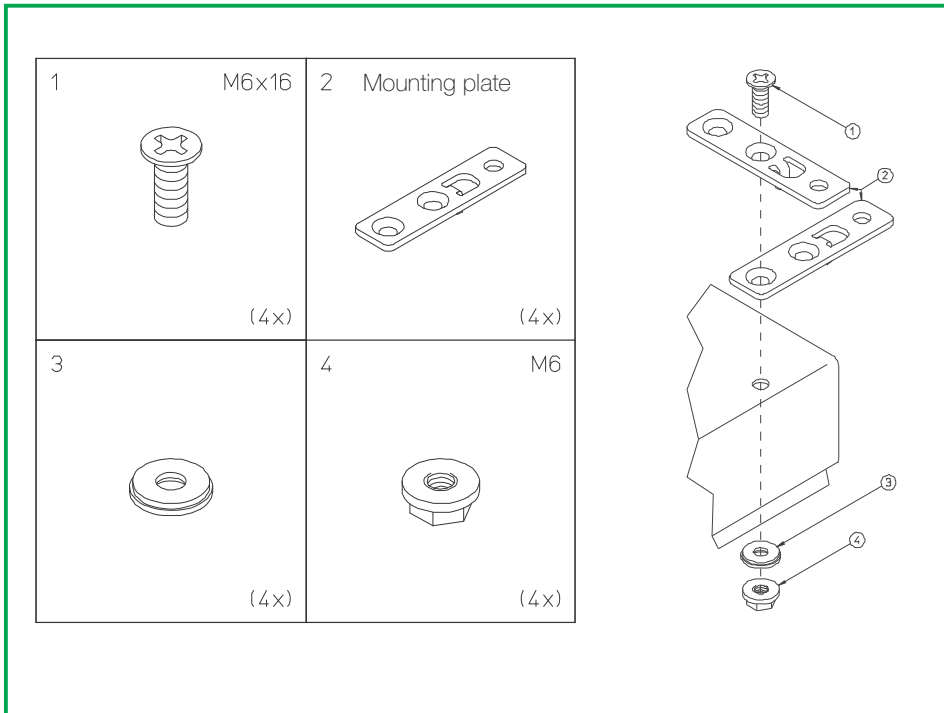
316M1, 316M4
316N1, 316N4
317M1, 317M4
317N1, 317N4

316M1, 316M4
316N1, 316N4
317M1, 317M4
317N1, 317N4

318M1, 318M4
318N1, 318N4
319M1, 319M4
319N1, 319N4

320M1, 320M4
320N1, 320N4
321M1, 321M4
321N1, 321N4

322M1, 322M4
322N1, 322N4
323M1, 323M4
323N1, 323N4



**Product lines
H400-A/ -D**

Mounting plate

**1 set per
mild steel enclosure**

Size of enclosure
200 x 150 x 120 mm
300 x 250 x 120 mm

SAX1

Mounting plate – 1 Set –

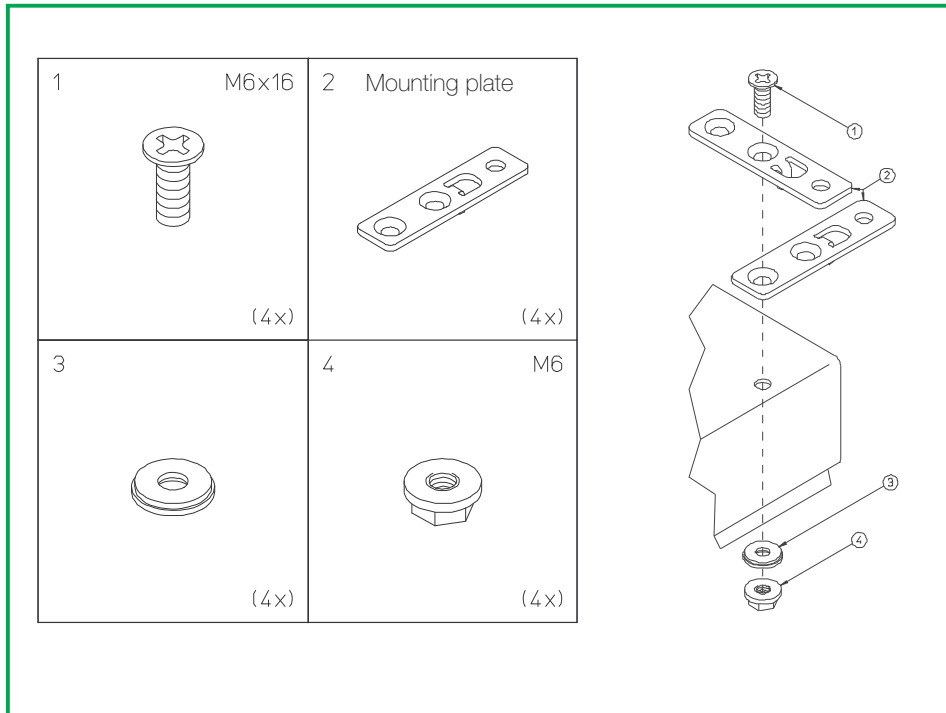
suitable for **mounting the mild steel enclosure on walls etc.** for mounting forms:

200x150x120mm

986M1
987M1, 987M4
987N1, 987N4

300x250x120mm

186M1, 186H1
187M1, 187M4
187N1, 187N4
189H1,
686M1, 686H1
687M1, 687M4
687N1, 687N4
689H1



**Product lines
H400-A/ -D**

Mounting plate

**1 set per
stainless steel
enclosure**

**Size of enclosure
200 x 150 x 120 mm
300 x 250 x 120 mm**

SBX1

Mounting plate – 1 Set –

suitable for **mounting the stainless steel enclosure on walls etc.** for mounting forms:

200x150x120mm

996M1
997M1, 997M4
997N1, 997N4

300x250x120mm

196M1, 196H1
197M1, 197M4
197N1, 197N4
199H1,
696M1, 696H1
697M1, 697M4
697N1, 697N4
699H1



Faster deliveries through SMD

In order to ensure even greater flexibility for worldwide supply availability within 24h, Sälzer Electric has introduced the SMD (Sälzer Modular Design) system.

SMD modules are individually prefabricated and tested all-in-one modules which SMD Service holds in stock in sufficient quantities. From basic switch modules, mounting form modules and operator modules, SMD Service can assemble a complete switch requested by the customer and pack it ready for delivery in just a few actions.

– back –